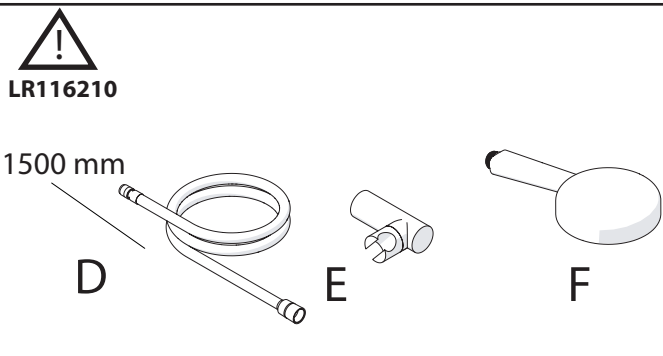
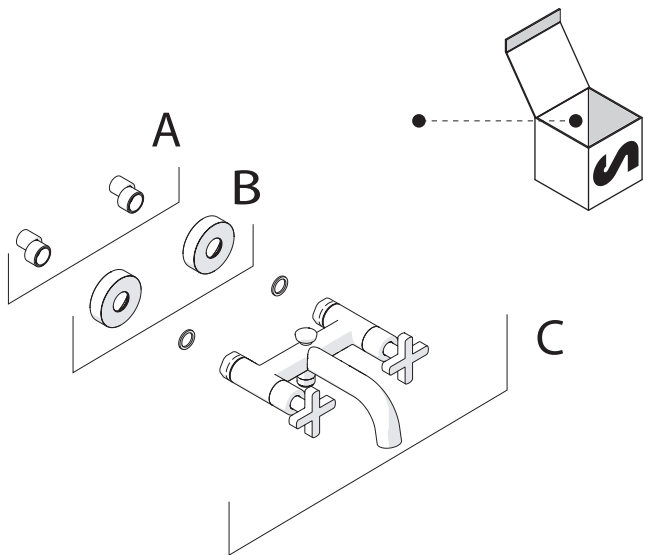


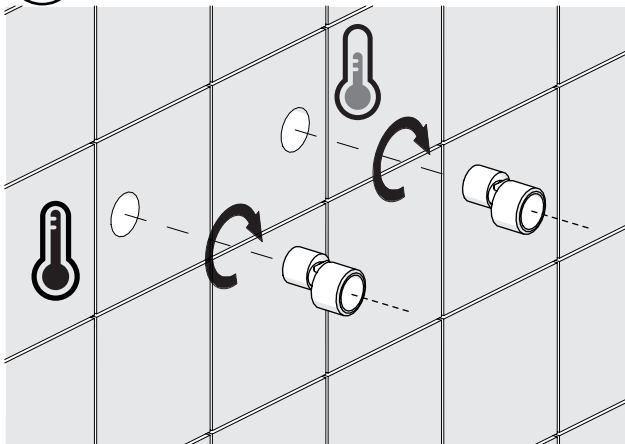
Not included / Non incluso / Non Inclus / Nie zawarty/ No incluido / Nao incluido

1

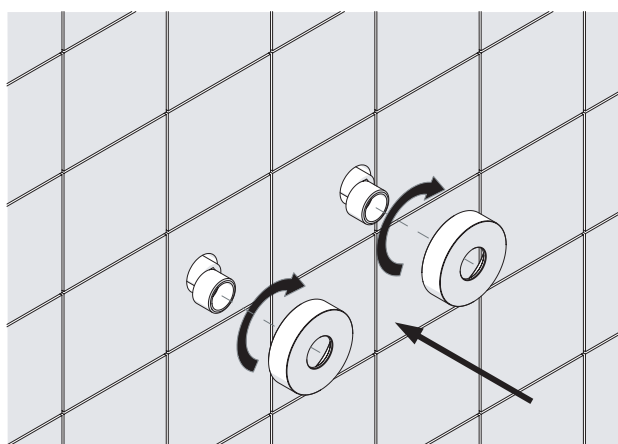


2

A1

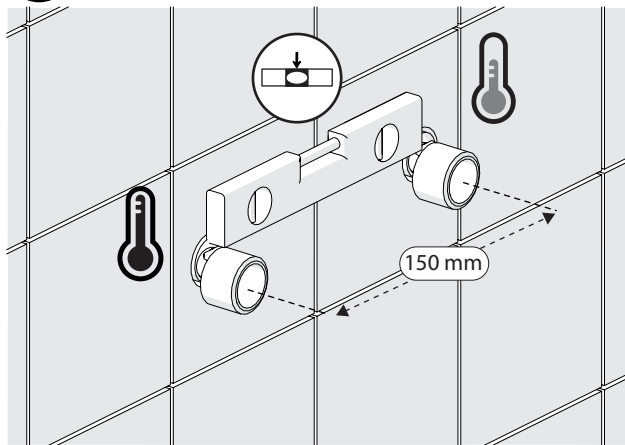


B



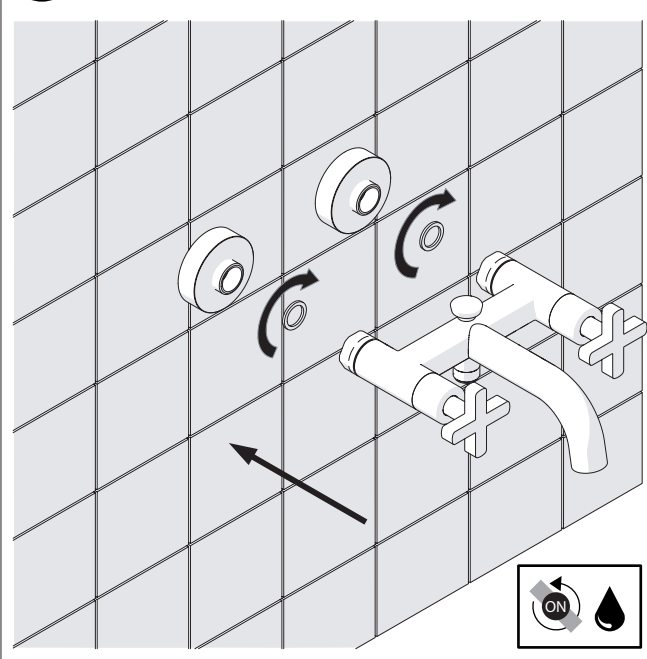
3

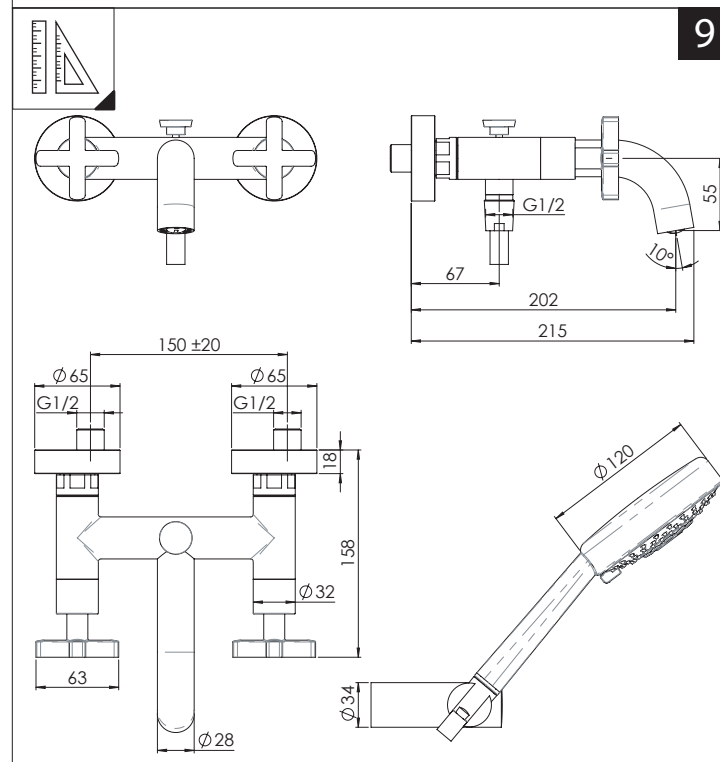
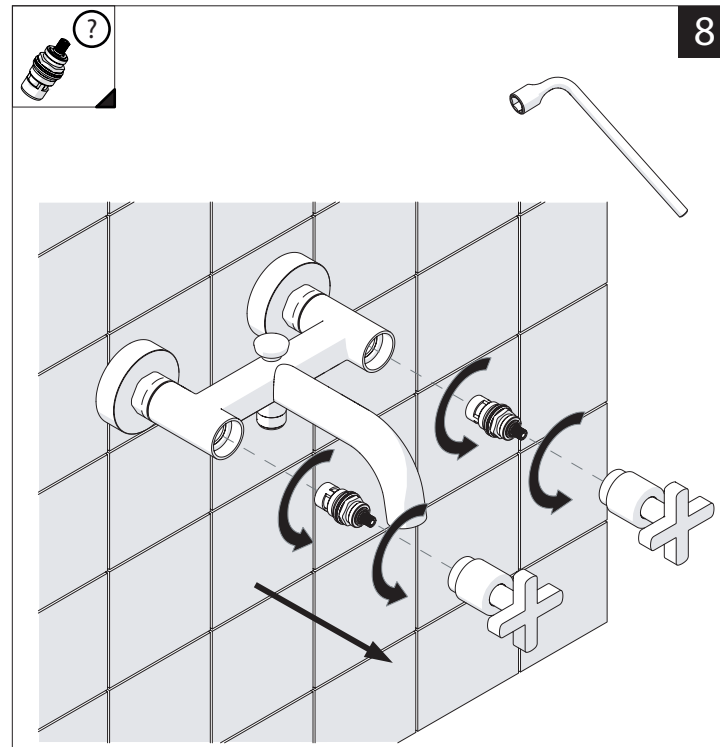
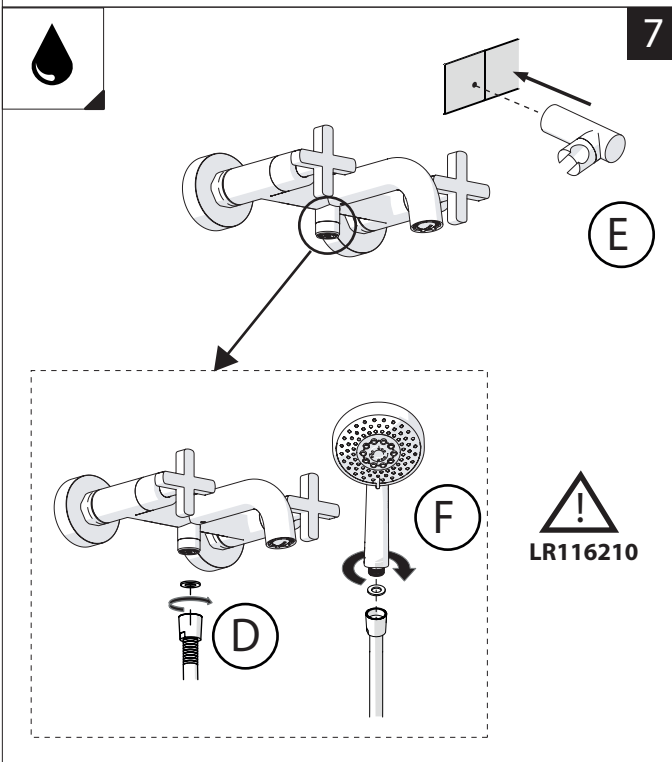
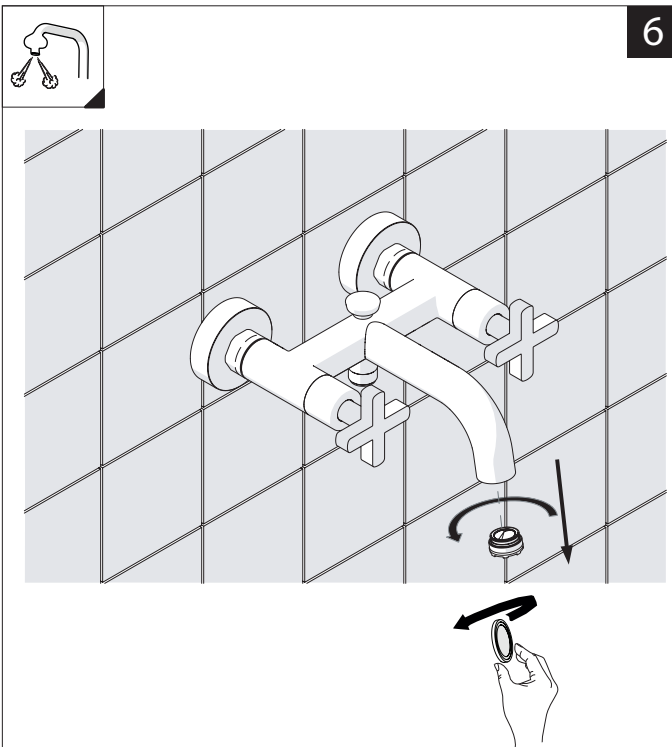
A2



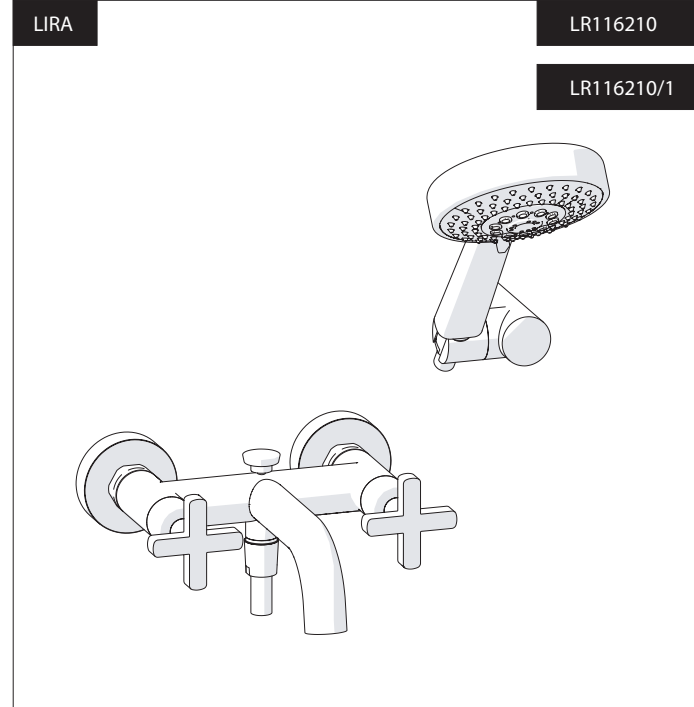
5

C





NOBILIS®
The Best Technology for Water



www.grupponobili.it

PRIMA DI INIZIARE / BEFORE STARTING

| | | | | | | | | | | | |
|--|-------------------|--|------------------|--|----------|--|----------------|--|------------------|--|-----------------|
| | P bar | | MAX 10 | | 5 | | T °C | | MAX 80 | | 65 45 |
| | 0,5 MIN | | 1 | | | | | | | | |

PULIZIA / CLEANING

| | | | | |
|-----------------------|---------------|---------------------------------|-------------------------|--------------------------------|
| | | | | |
| ACQUA WATER | ALCOOL | MICROFIBRA MICROFIBER | SPUGNA SPONGE | DETERGENTI DETERGENT |
| | | | | |

IISTR LR116210#---STD



REV.02/2018