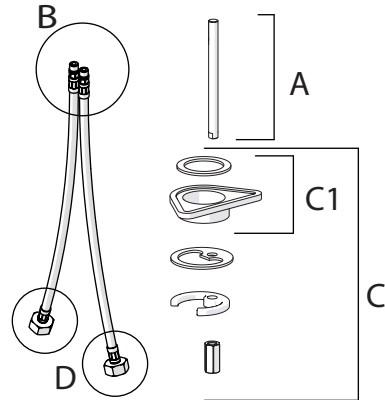
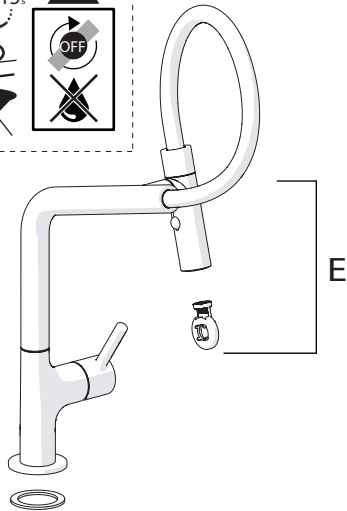
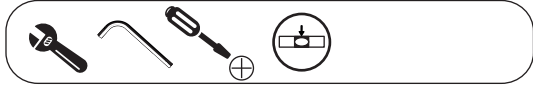


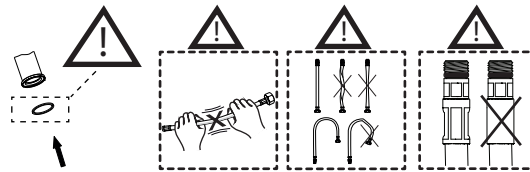
Not included / Non incluso / Non Inklus / Nie zawarty/ No incluido / Nao incluido

1

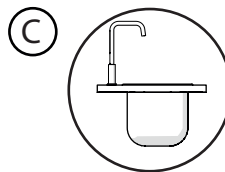
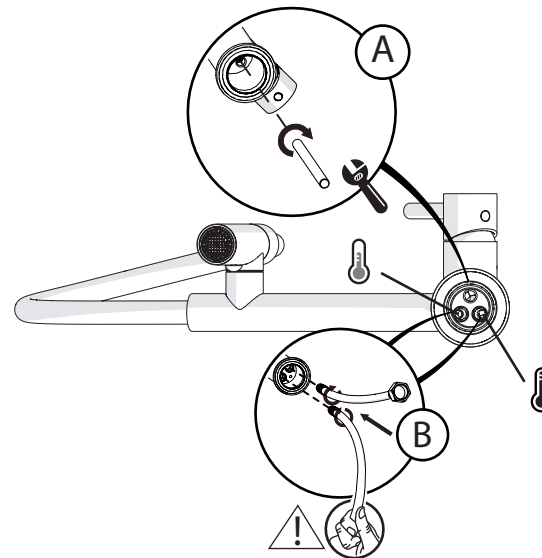


NOTE :

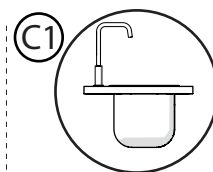
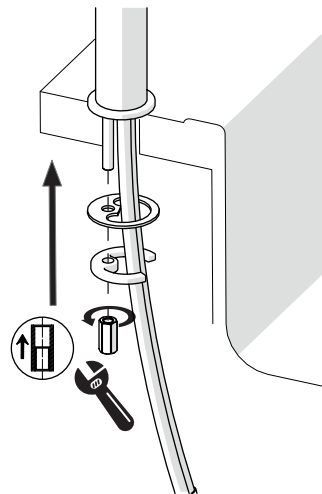
This type of tap will not maintain an appropriate tap gap, because part of the tap assembly (the hose attachment) can fall below the spill over level of the sink. Therefore it must not be directly connected to the drinking water supply without the protection of an appropriate backflow arrangement, as agreed by your local water supplier. If the tap assembly is required to be fed from storage, this tap may require a water pressure higher than that provided by a normal storage gravity fed system (e.g. typical gravity fed system - 0.5 bar). If boosting/pumping of the system is required advance notification to the local water supplier may be required. The tap assembly must only be supplied via a wholesome source of water (hot and cold supplies). It is important to ensure that this tap is connected in accordance with the Water Supply (Water Fittings) Regulations (Byelaws in Scotland).



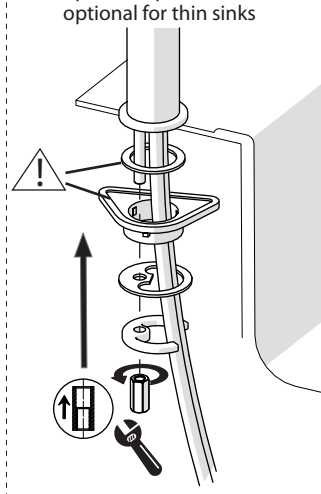
2



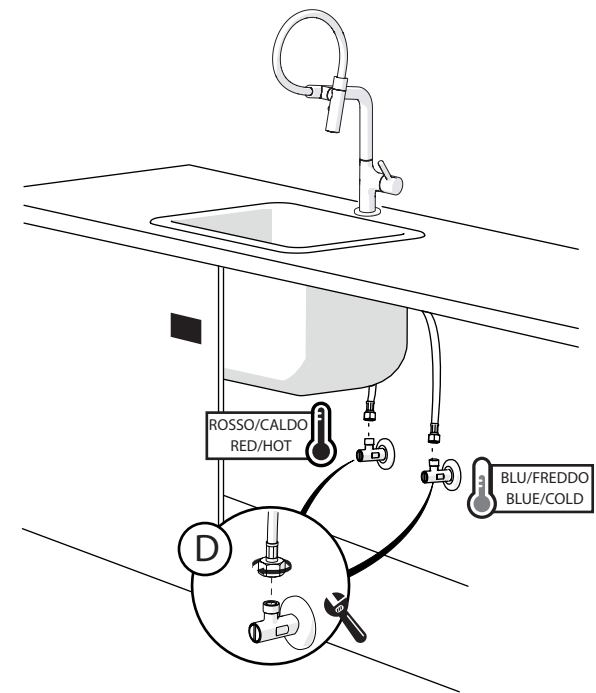
3



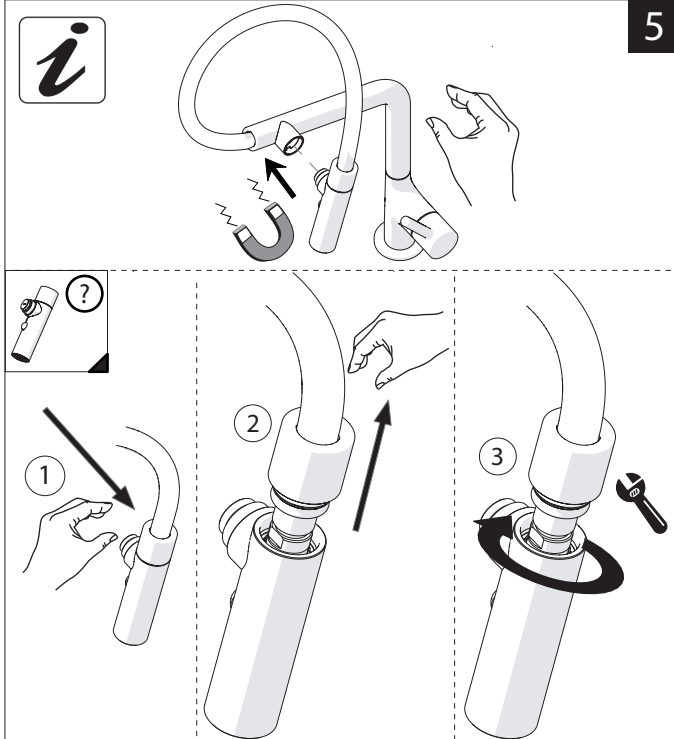
opzionale per livelli sottili
optional for thin sinks



4



5



VALVOLA DI NON RITORNO ALL'INTERNO DOCCETTA

NON-RETURN VALVE INSIDE HANDSHOWER

6

E



7

8

Per limitare la temperatura estrarre il limitatore e riposizionarlo nella posizione che si desidera

Extract the limiter and put it in correct position to limit temperature

Dispositivo limitatore "dinamico" della portata d'acqua "50%"

"Dynamic" flow rate restrictor "50%"

-50%

ON 50%

ON 100%

www.nobili.it

PRIMA DI INIZIARE / BEFORE STARTING

	P	bar	0,5	MAX 10	MIN	5		T	°C	-80	MAX	65	-45
--	---	-----	-----	--------	-----	---	--	---	----	-----	-----	----	-----

PULIZIA / CLEANING

	ACQUA	WATER	
	ALCOOL		
	MICROFIBRA	MICROFIBER	
	SPUGNA	SPONGE	
	DETERGENTI	DETERGENT	

IISTRMP119400#---STD

REV1.06/2019