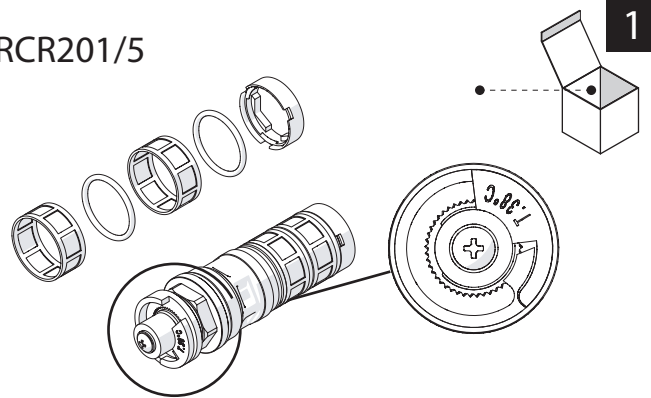
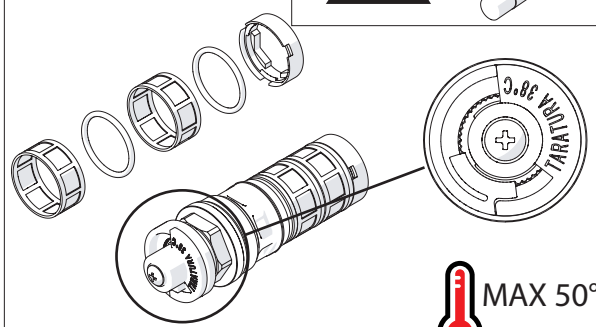
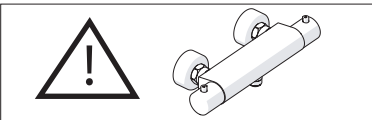


RCR201/5



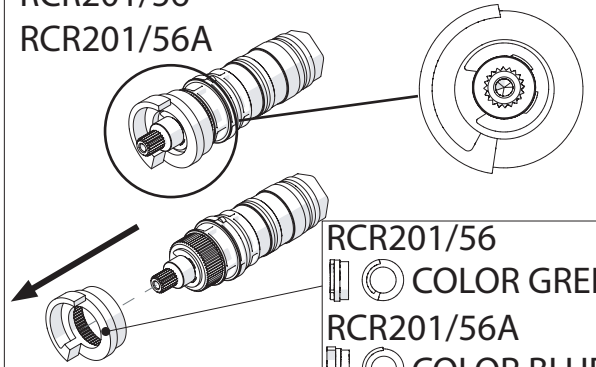
1

RCR201/6

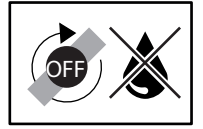


MAX 50° C

RCR201/56
RCR201/56A

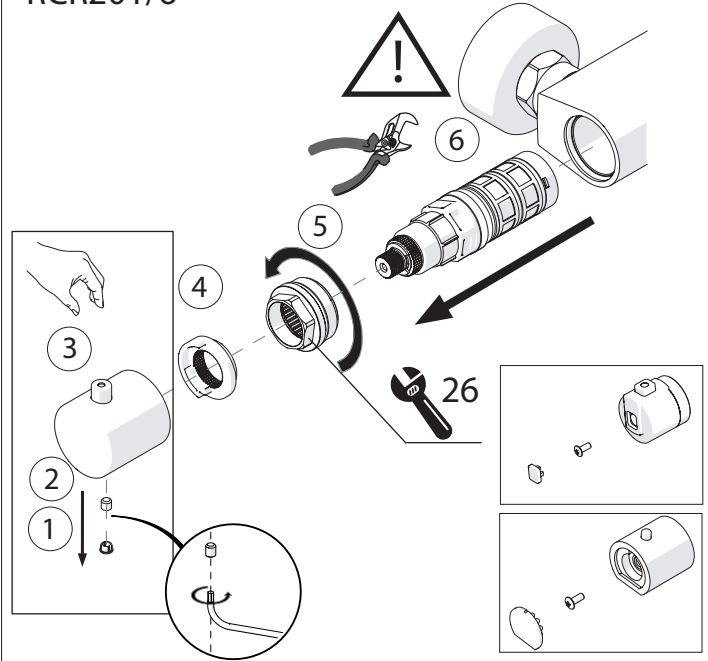


RCR201/56
 COLOR GREEN ●
 RCR201/56A
 COLOR BLUE ●



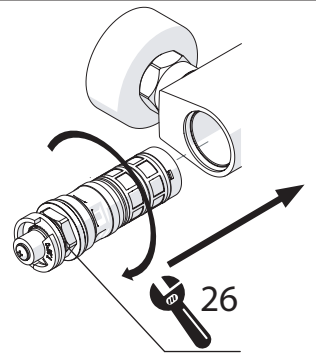
RCR201/5
RCR201/6

2

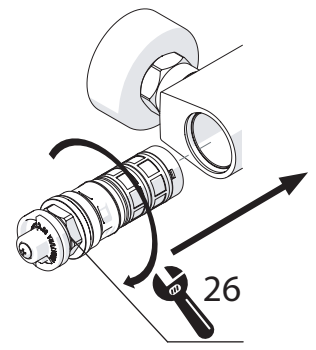


RCR201/5

3

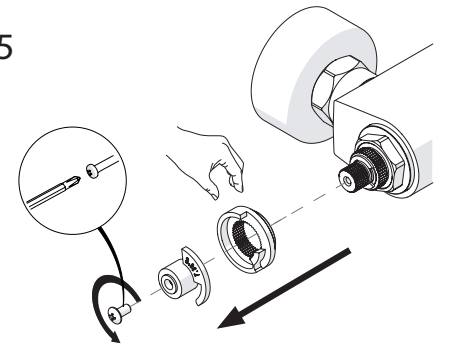


RCR201/6

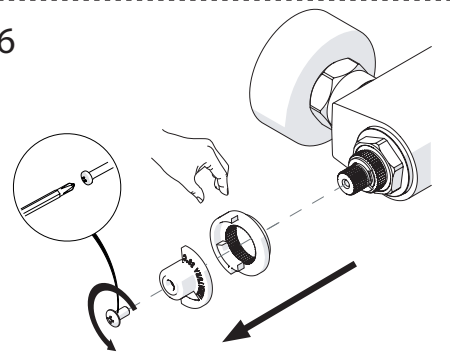


RCR201/5

4

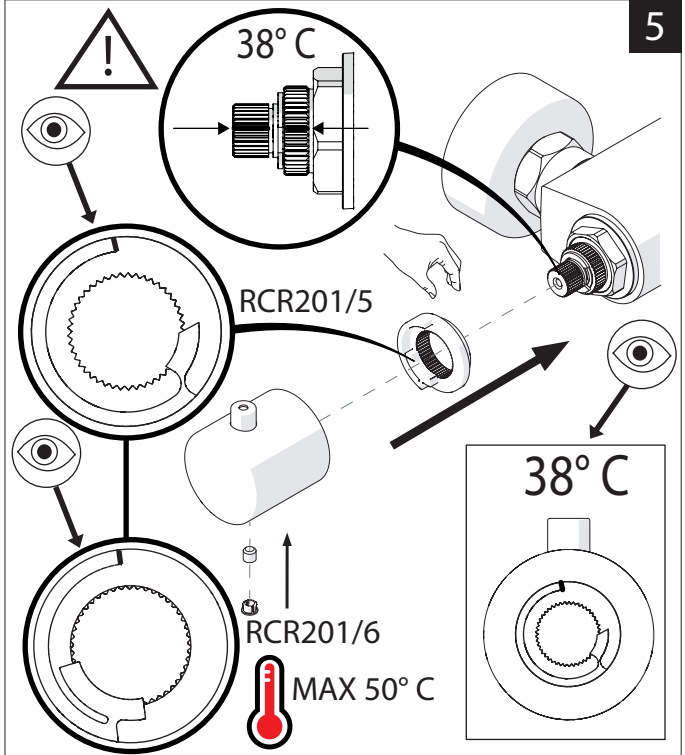


RCR201/6



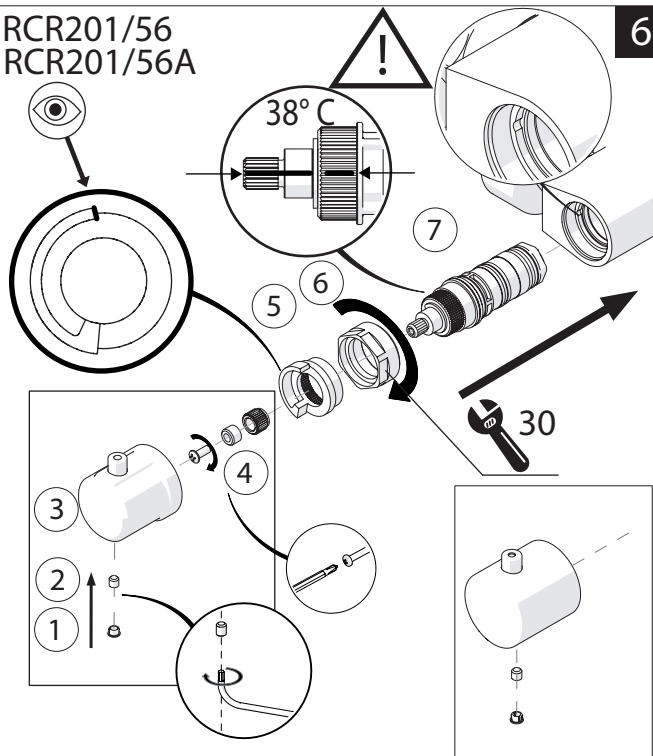
RCR201/5

5



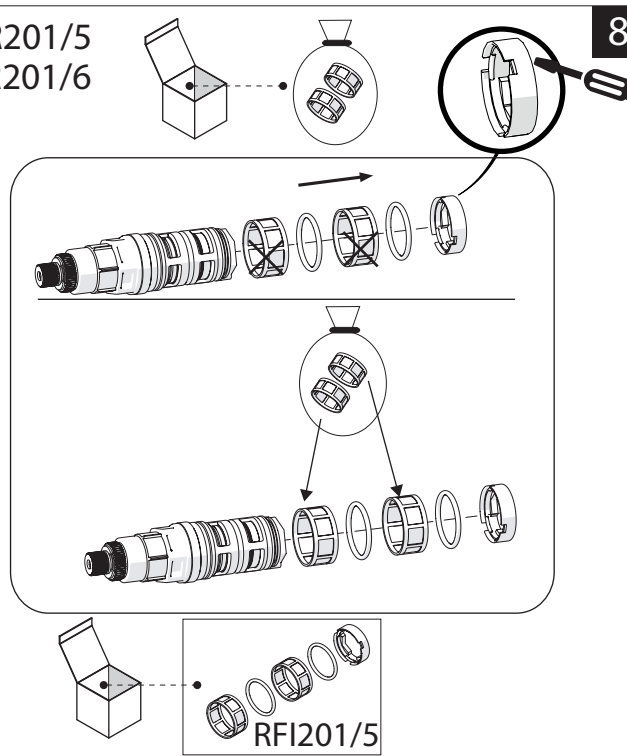
RCR201/56
RCR201/56A

6

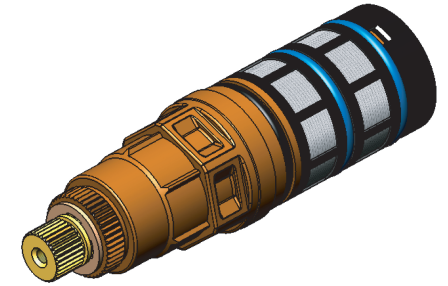


RCR201/5
RCR201/6

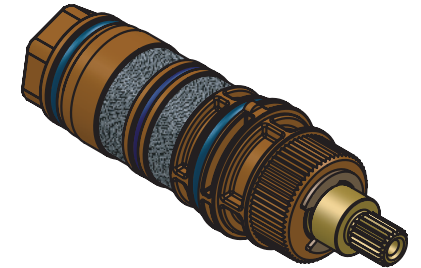
8



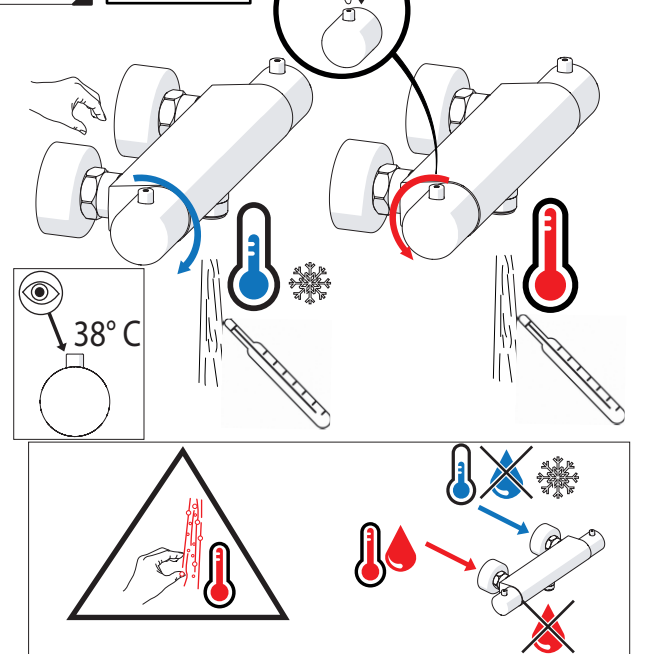
RCR201/5
RCR201/6



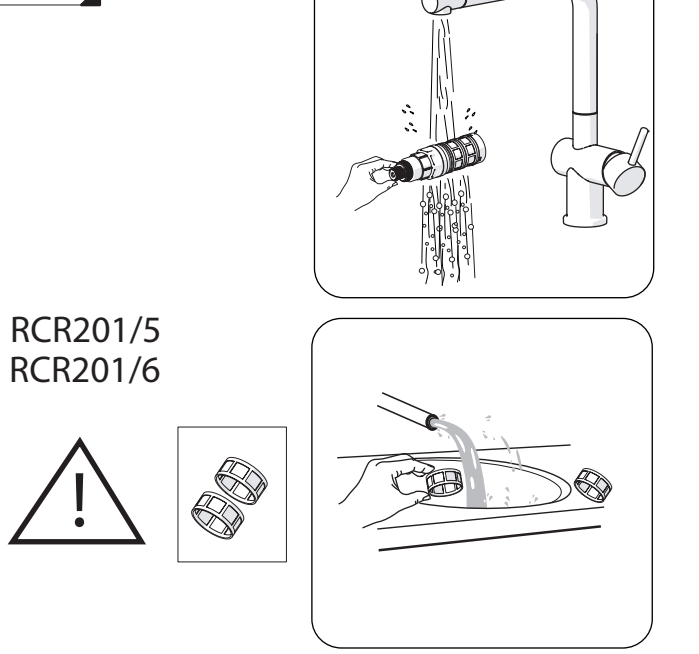
RCR201/56
RCR201/56A



7

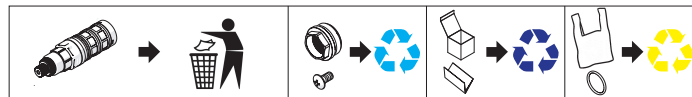


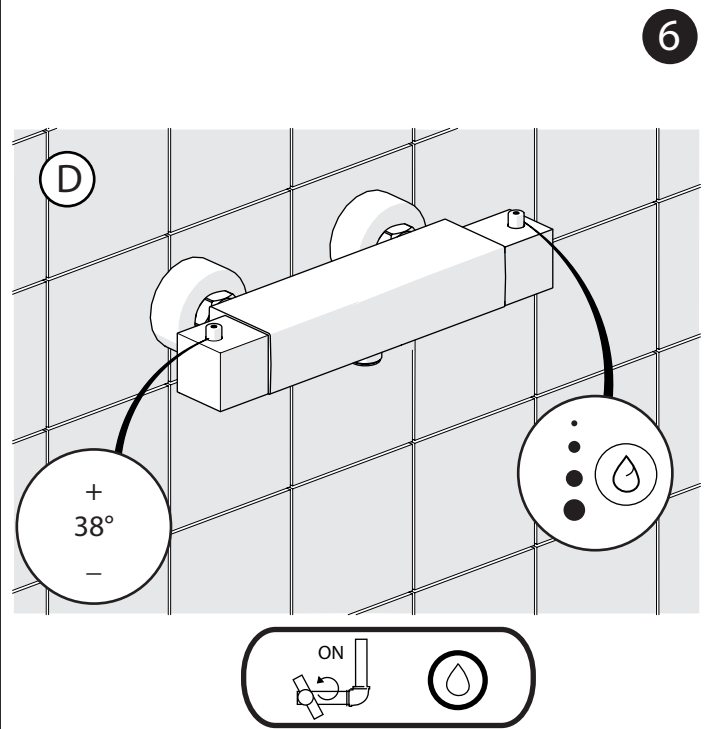
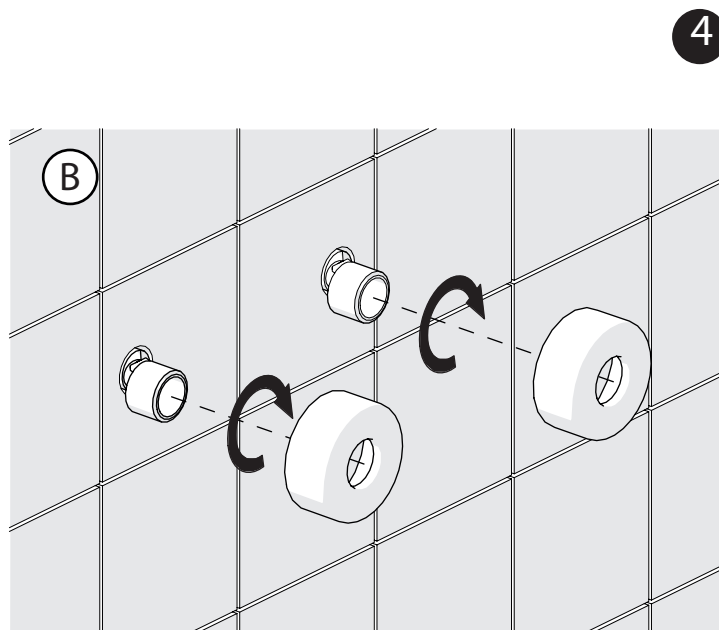
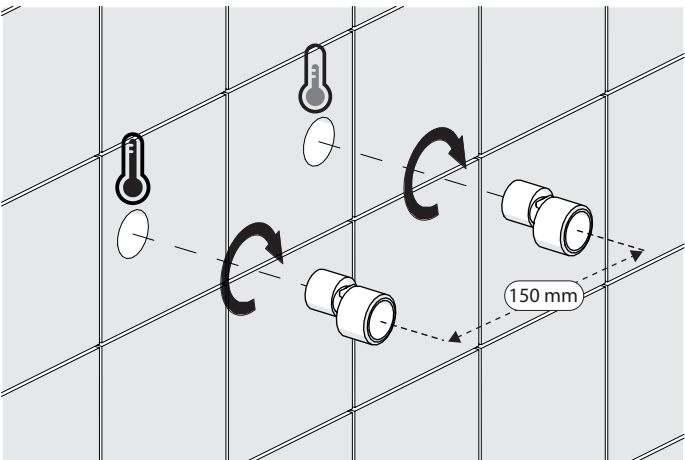
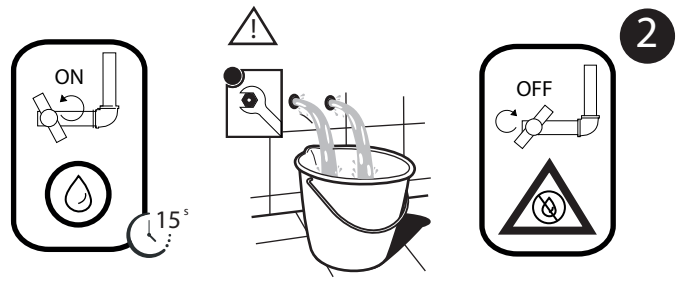
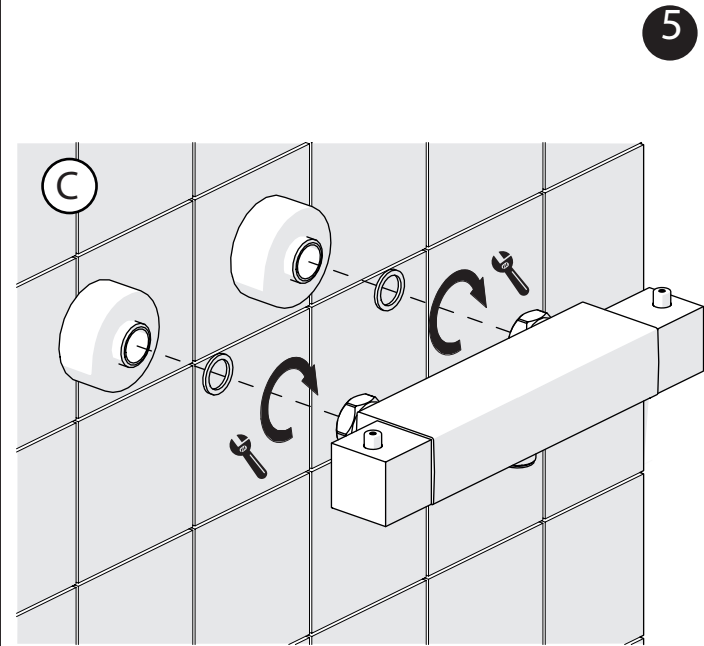
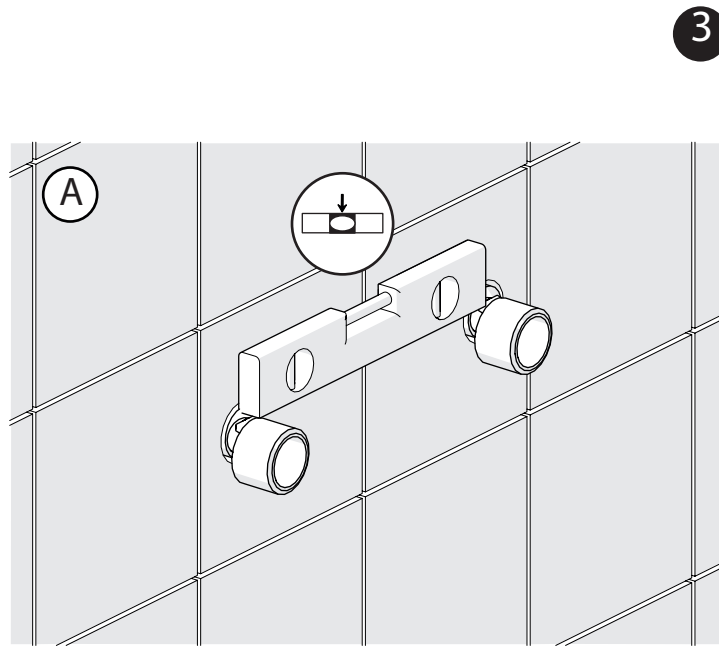
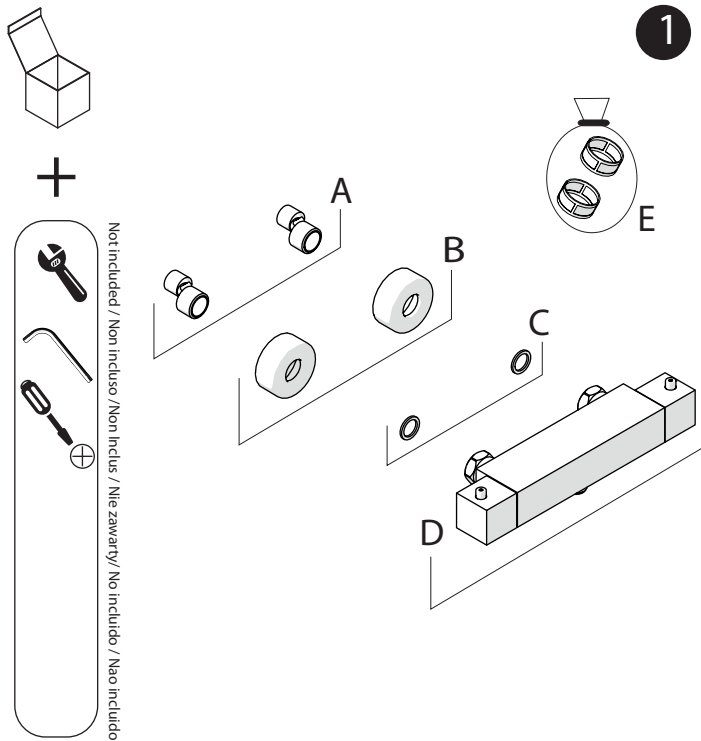
9

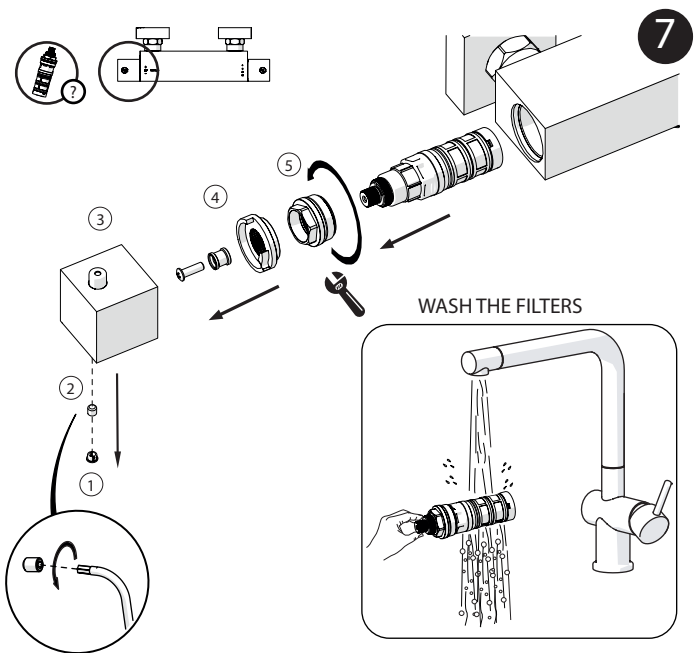


	P P bar	MAX 10 0,5 MIN	5 1	
--	-------------------	-------------------	--------	--

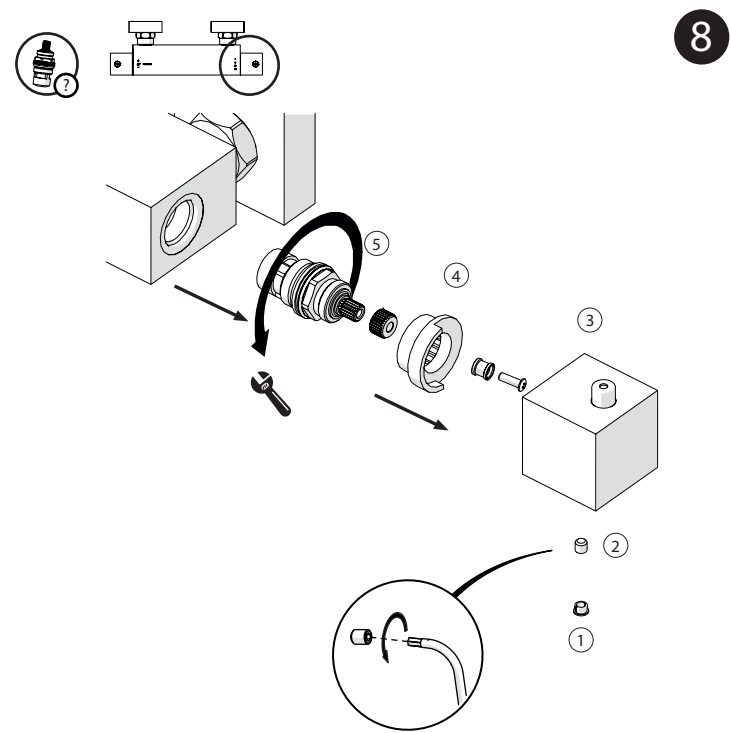
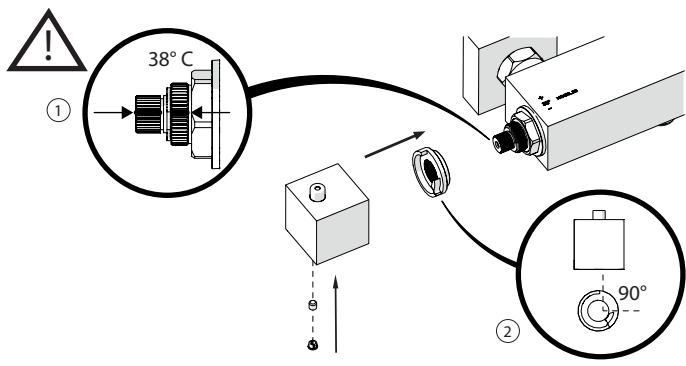
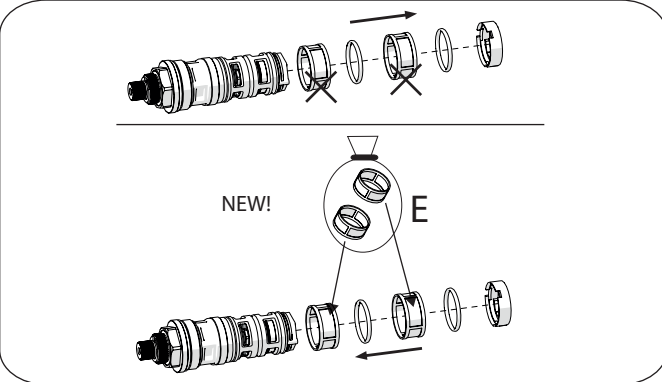
	T T °C	MAX 80	65 45	
--	------------------	--------	----------	--



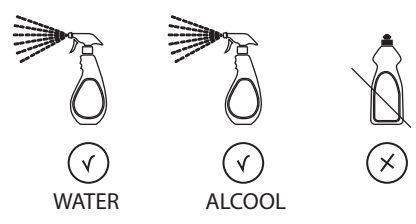
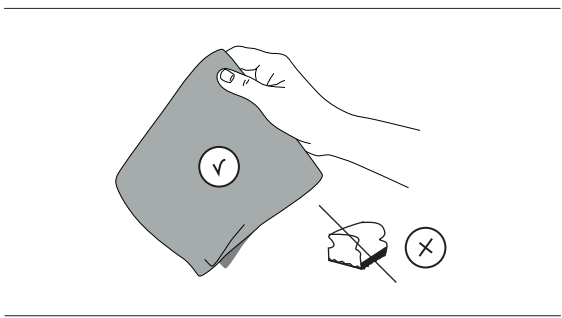




CHANGE FILTERS (spare into the box)



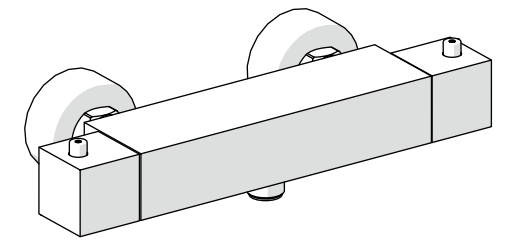
CLEANING



IISTRSF00030#--STD

NOBILIS®
The Best Technology for Water

REV1.03/2014



- MI102030
- SF00030
- RY00030
- TGQ85330
- SL00030



www.grupponobili.it

9

