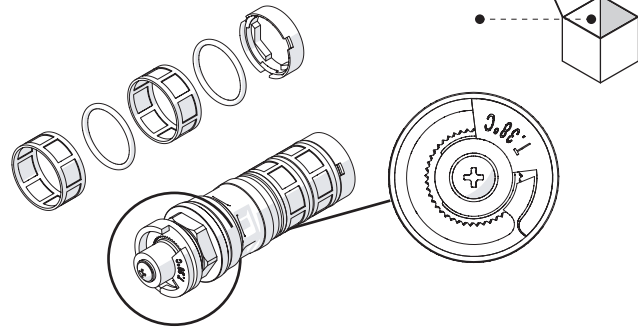
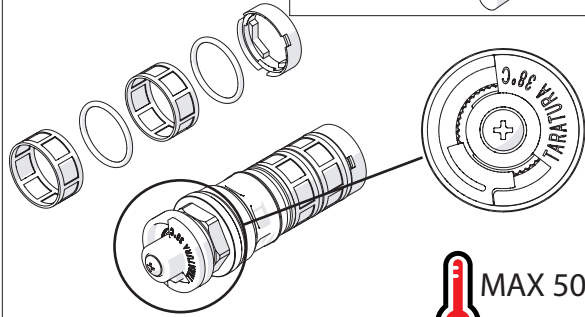
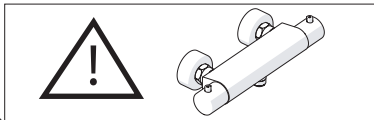


RCR201/5

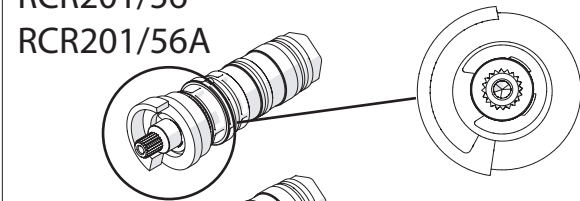


1

RCR201/6



RCR201/56
RCR201/56A

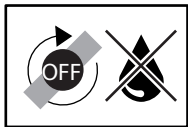


- RCR201/56
- 

COLOR GREEN

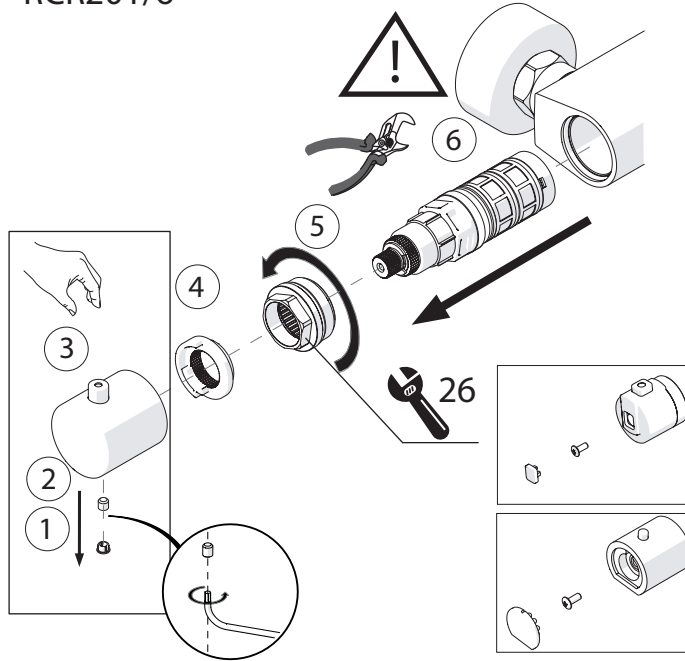
- 

COLOR BLUE

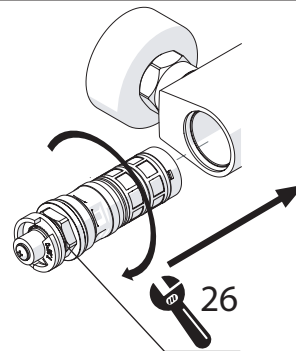
RCR201/5
RCR201/6

2

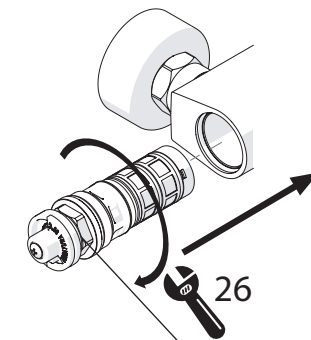


RCR201/5

3

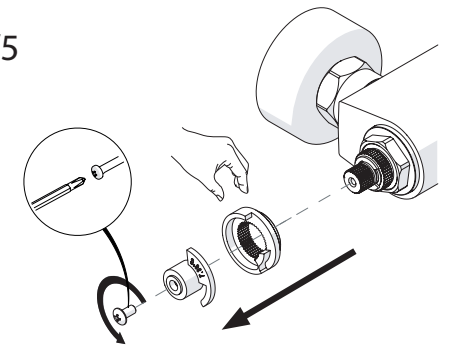


RCR201/6

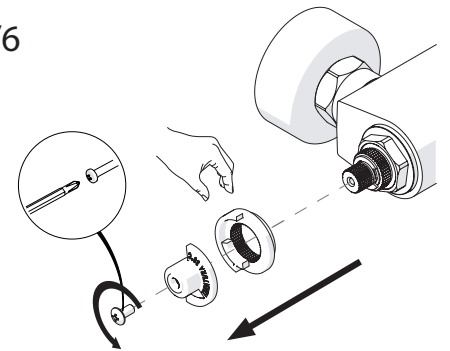


RCR201/5

4

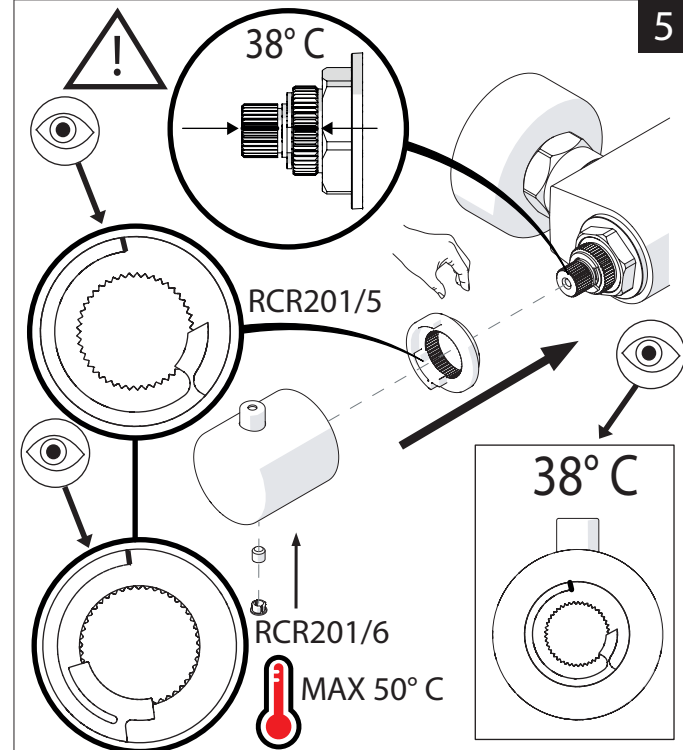


RCR201/6



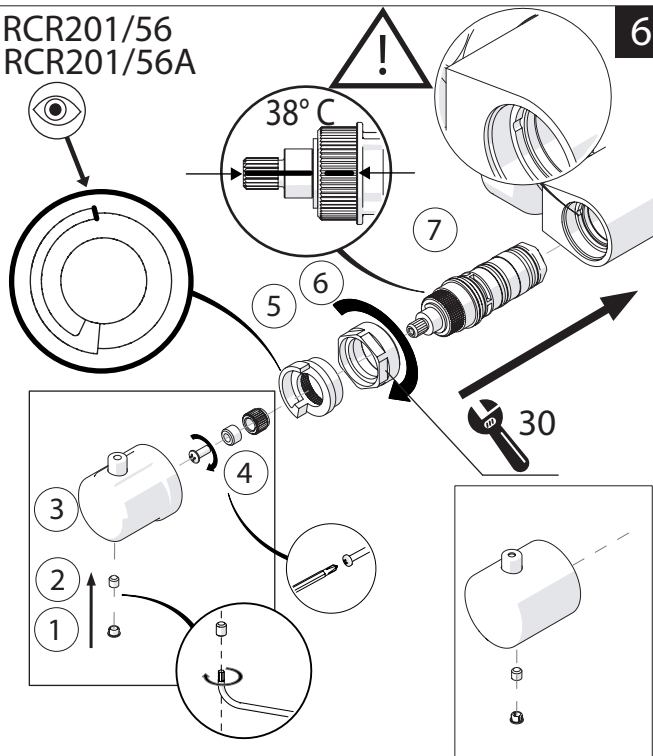
RCR201/5

5



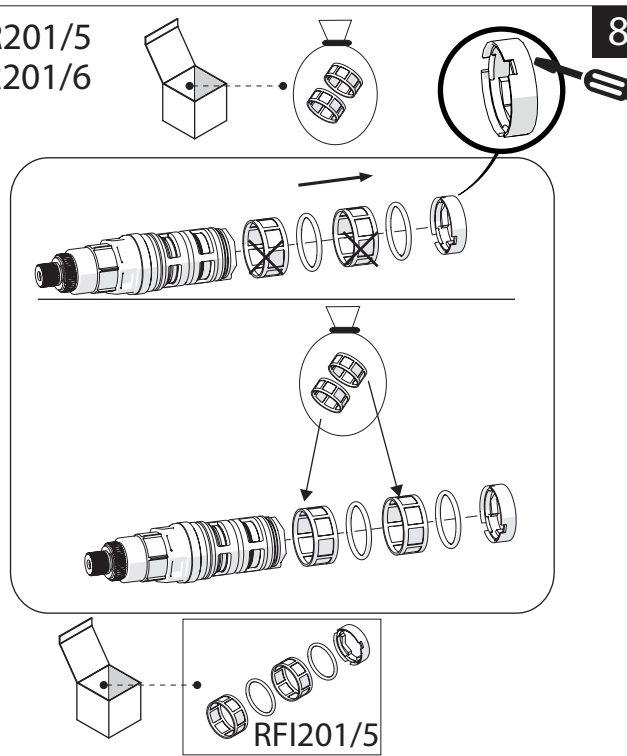
RCR201/56
RCR201/56A

6

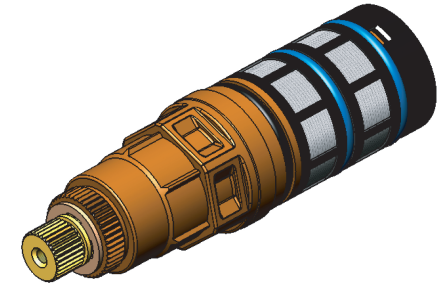


RCR201/5
RCR201/6

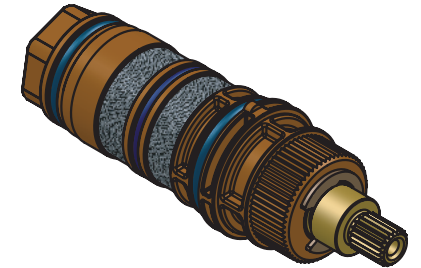
8



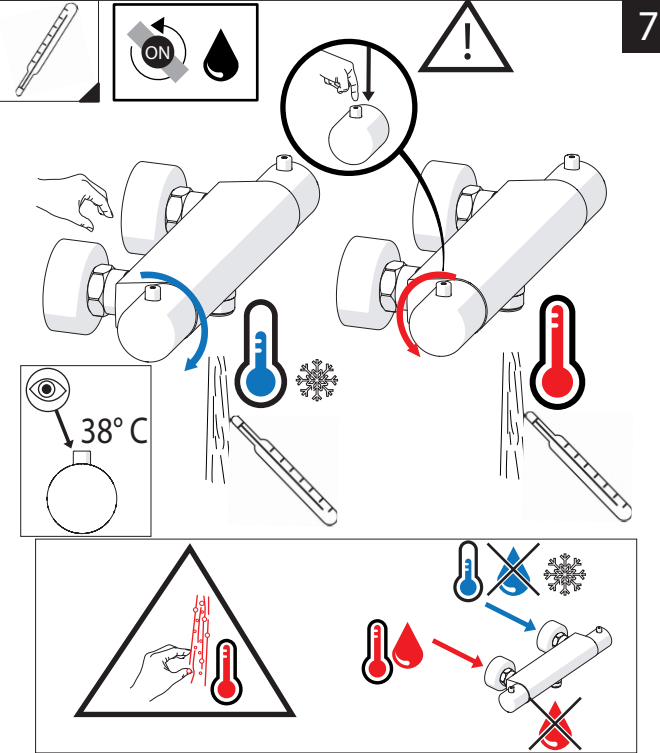
RCR201/5
RCR201/6



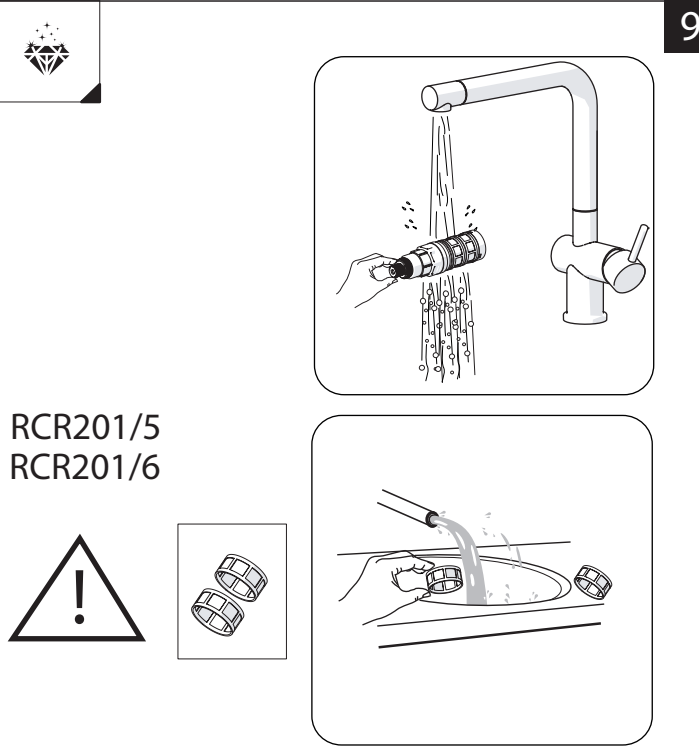
RCR201/56
RCR201/56A



7

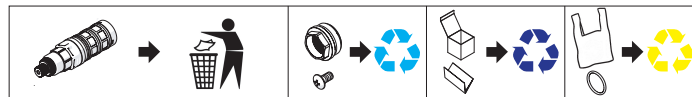


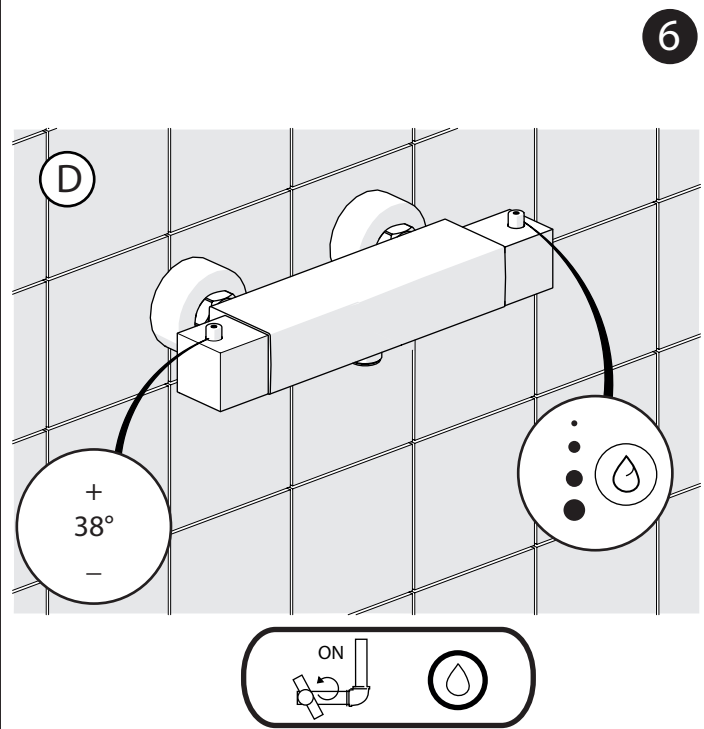
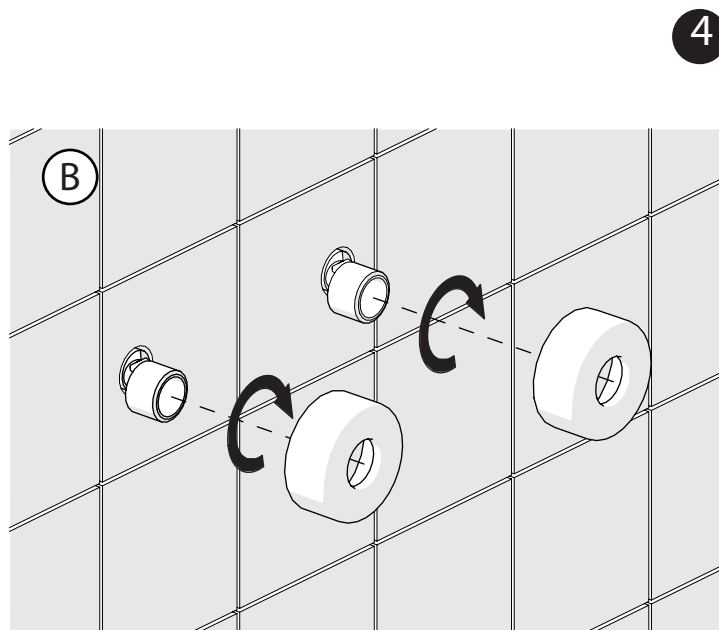
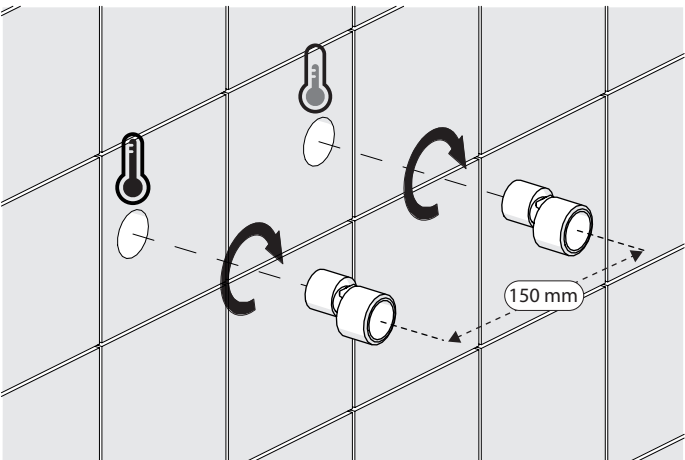
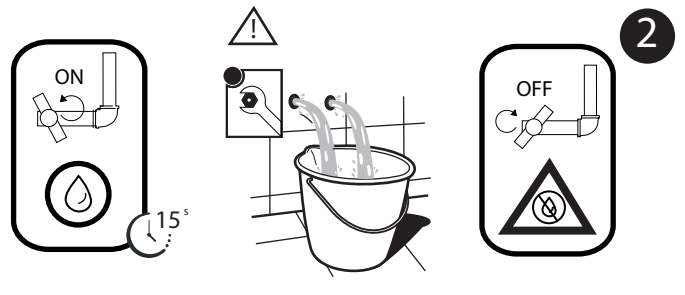
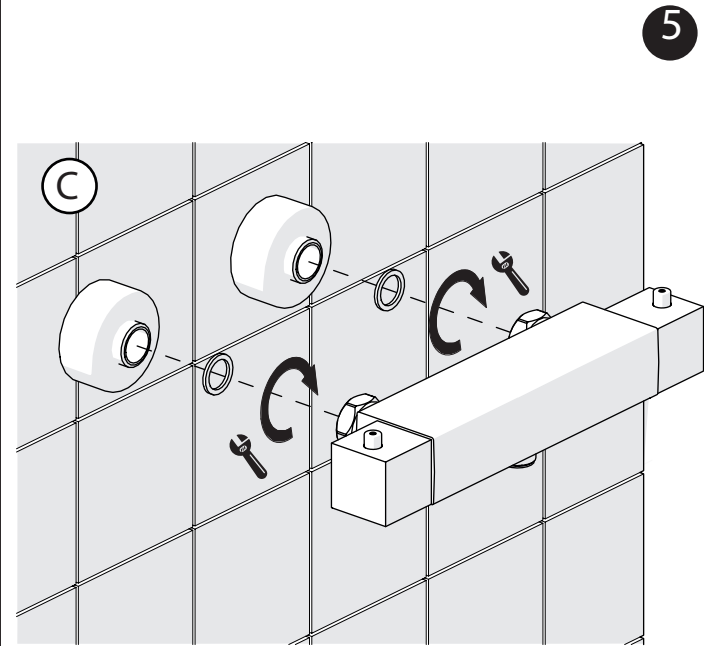
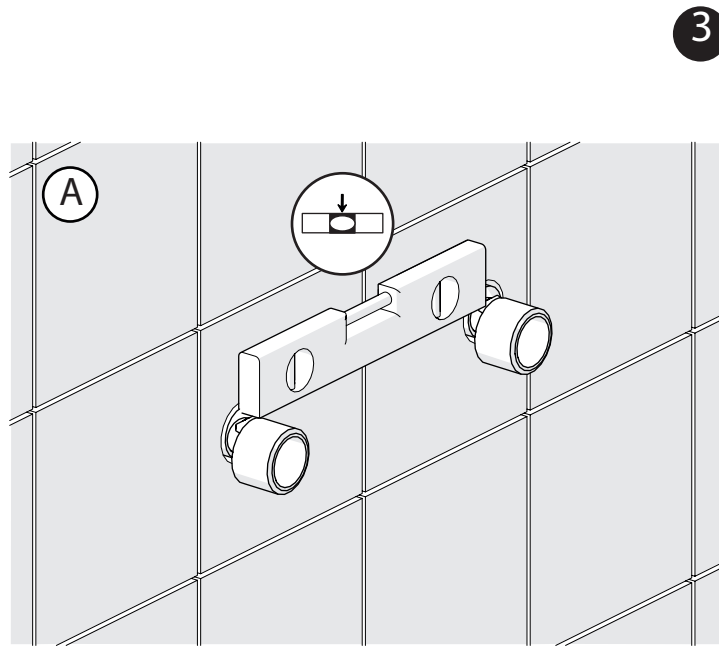
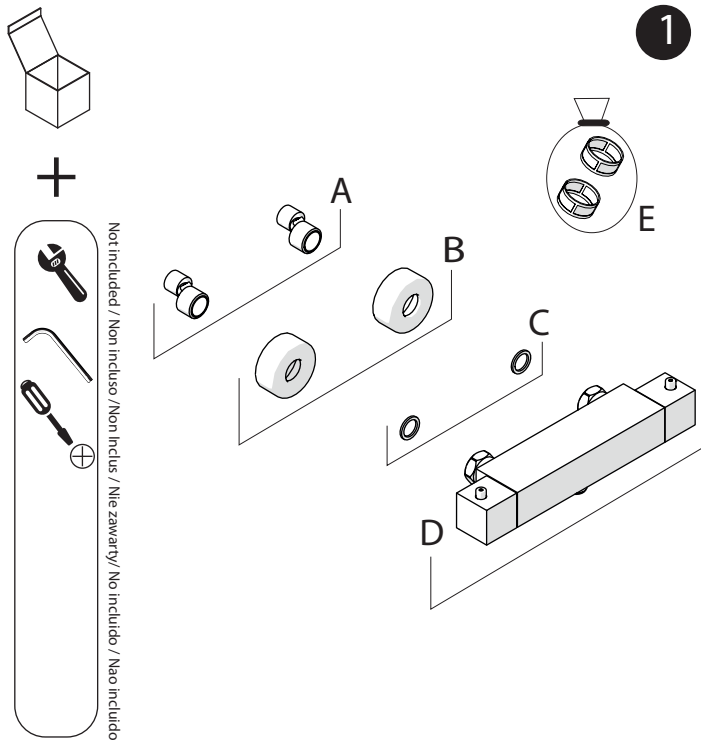
9

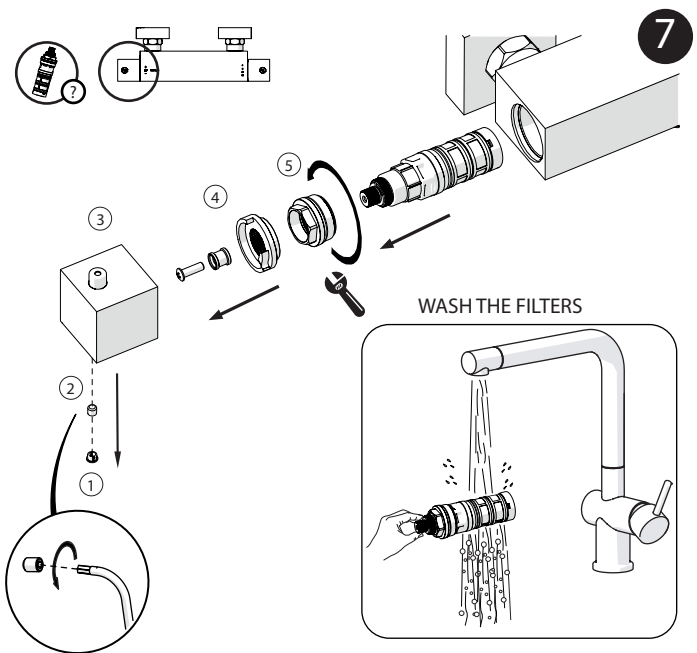


	P P bar	MAX 10 0,5 MIN	5 1	
--	-------------------	-------------------	--------	--

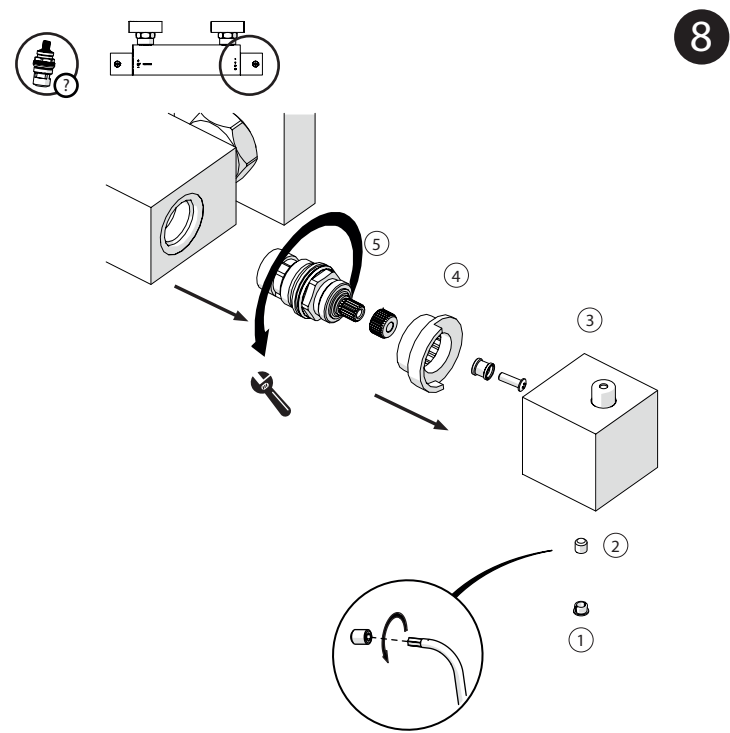
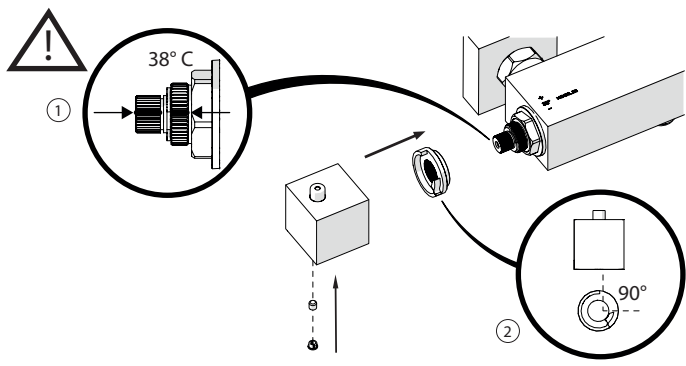
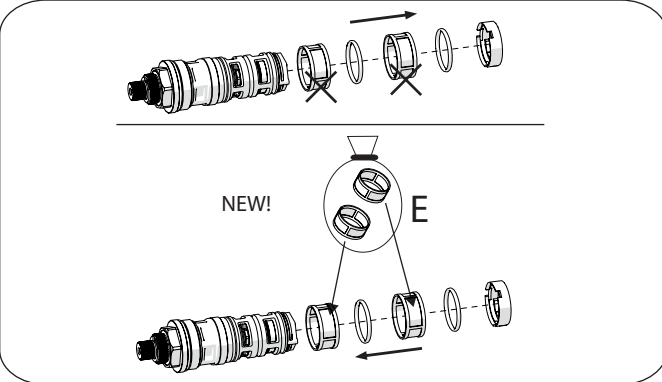
	T T °C	MAX 80	65 45	
--	------------------	--------	----------	--



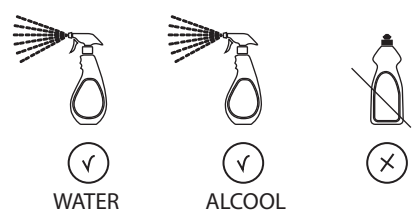
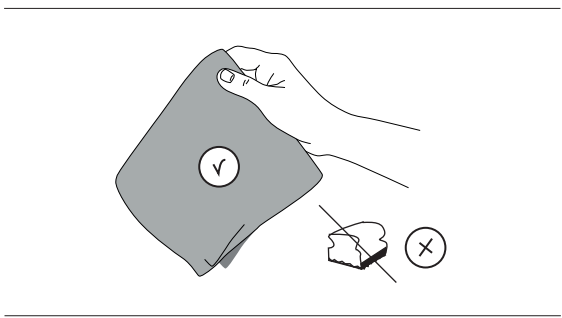




CHANGE FILTERS (spare into the box)



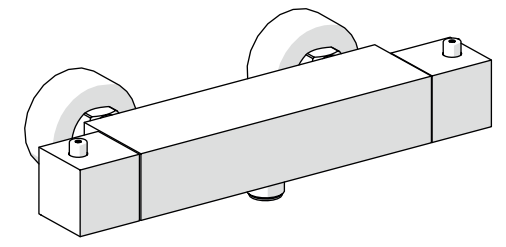
CLEANING



IISTRSF00030#--STD

NOBILIS®
The Best Technology for Water

REV1.03/2014



MI102030 SF00030 RY00030 TGQ85330
SL00030



www.grupponobili.it

9

