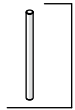
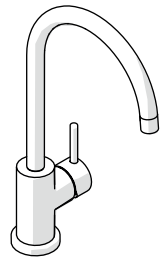


+

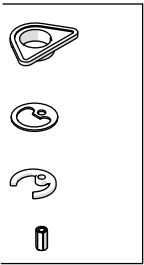


+

Not included / Non incluso / Non inclus / Nie zawarty / No incluido / Nao incluido

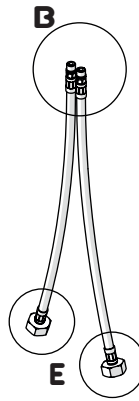


A



C

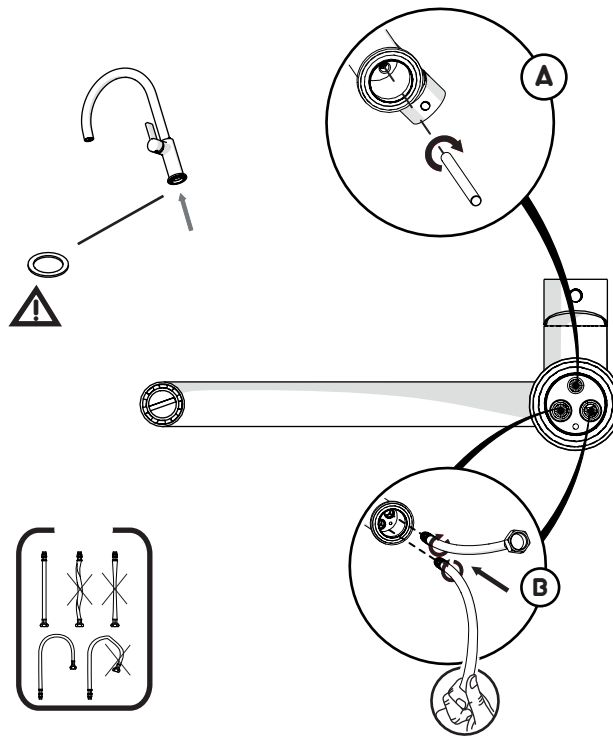
1



B

E

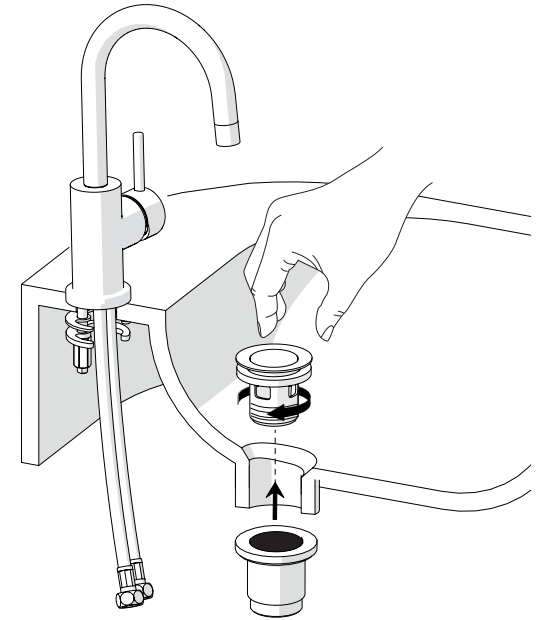
3



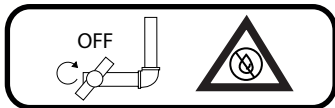
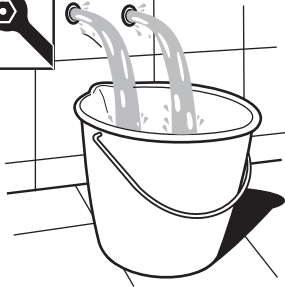
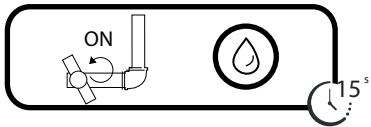
A

B

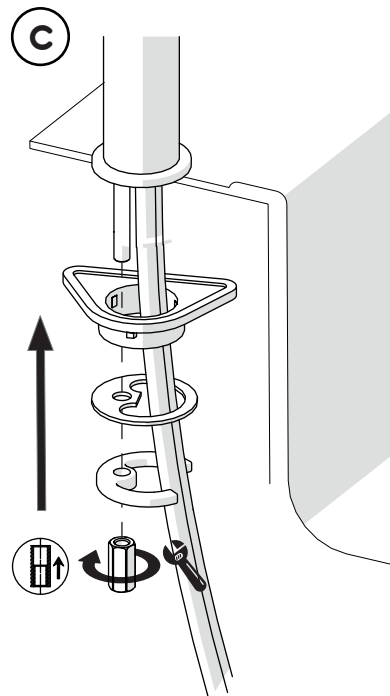
5



2

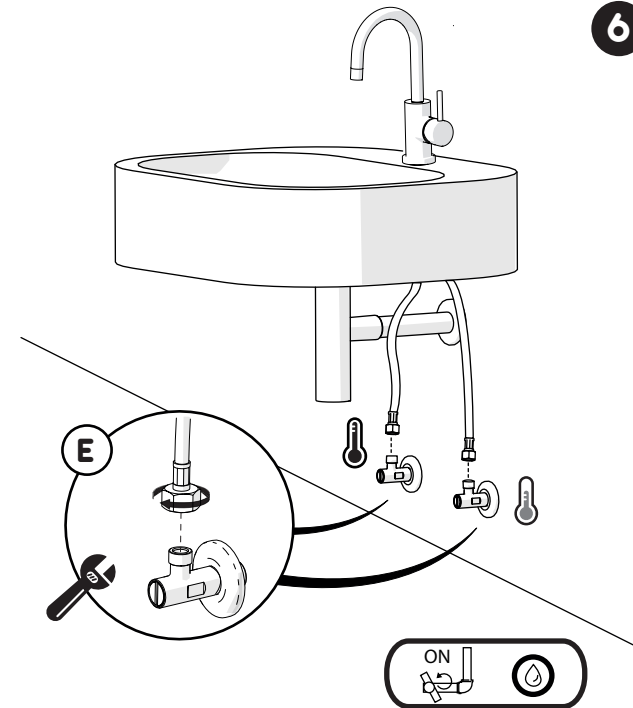


4



C

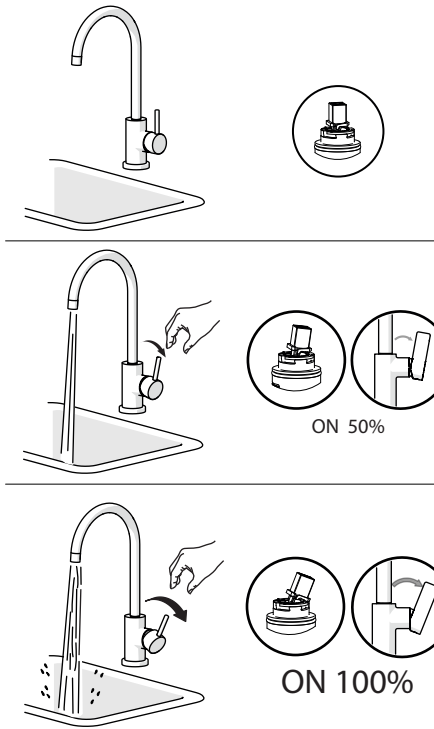
6



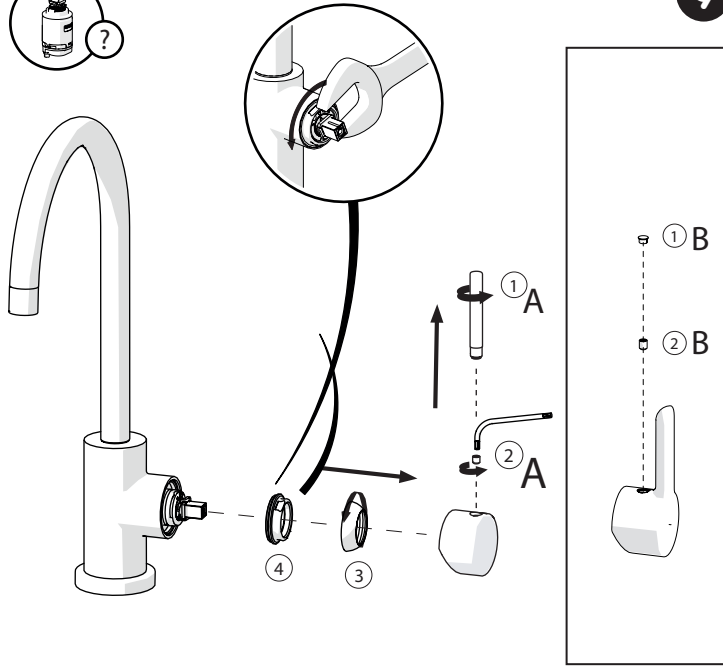
E



**-50%**



**7**



**9**

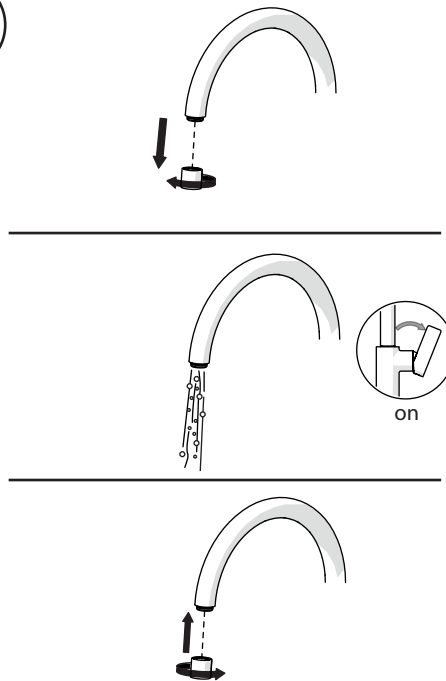
IISTR00338#---STD

**NOBILIS®**  
The Best Technology for Water

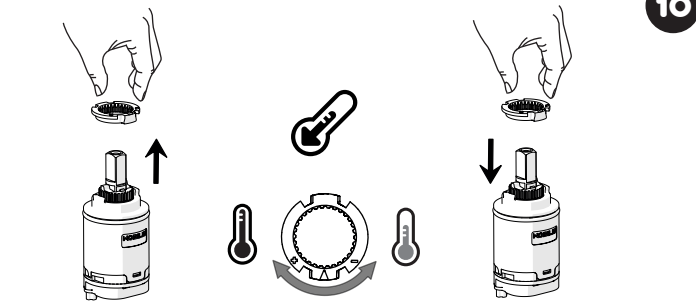
REV1.01/2014



[www.grupponobili.it](http://www.grupponobili.it)



**8**

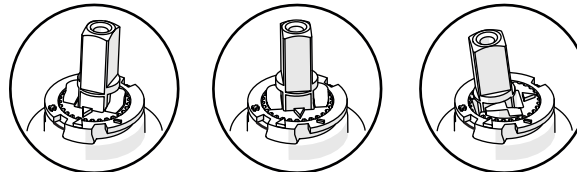


**10**

No limitation of temperature

Partial limitation of temperature

Maximum position Only cold water



**CLEANING**

