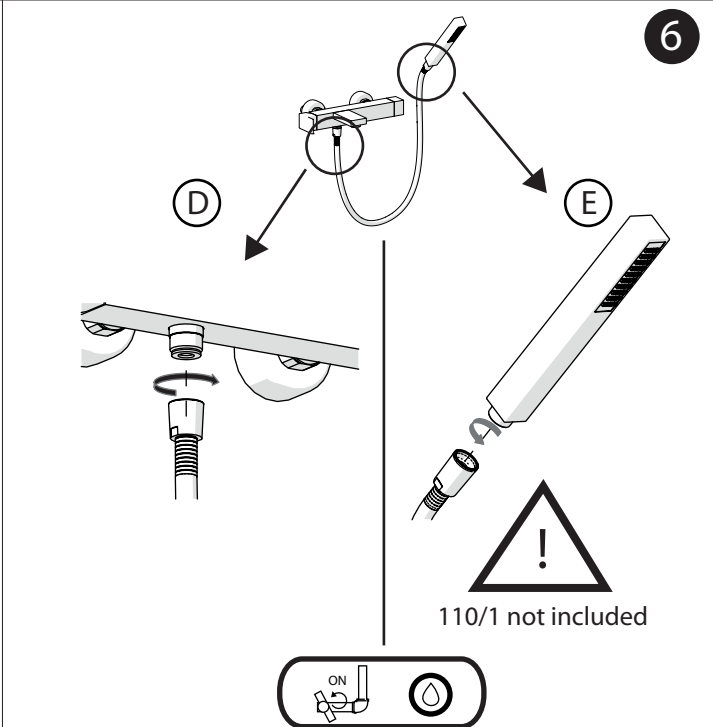
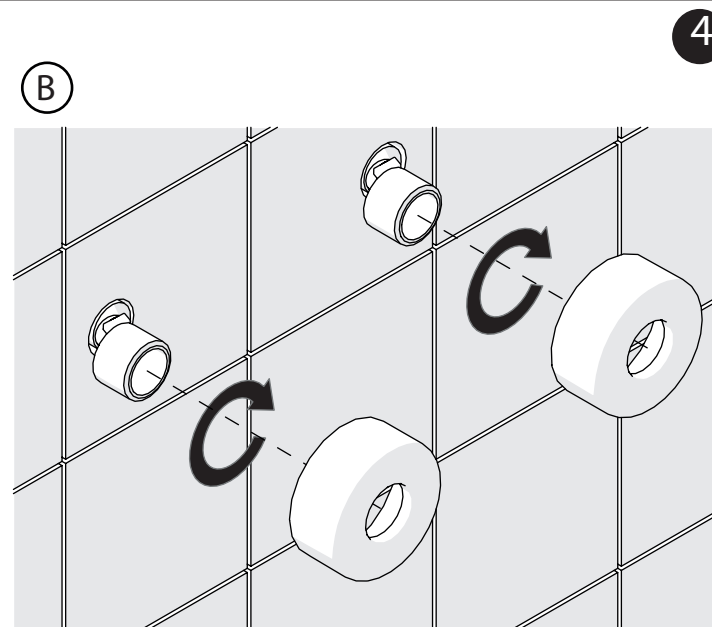
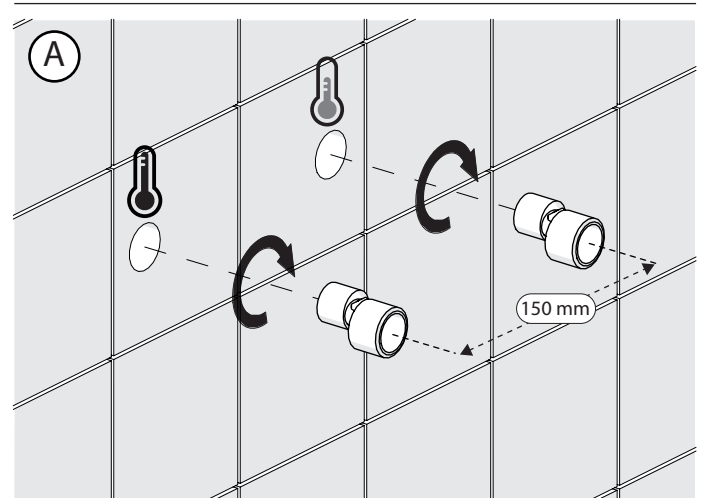
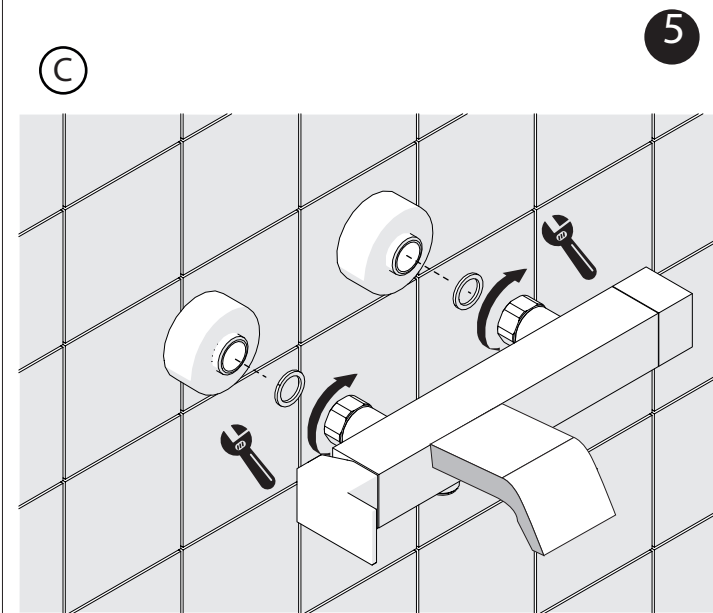
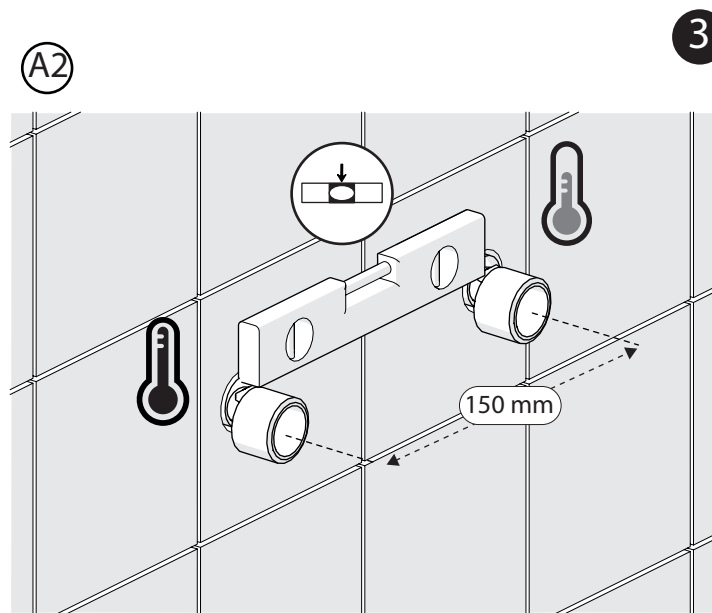
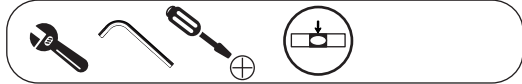
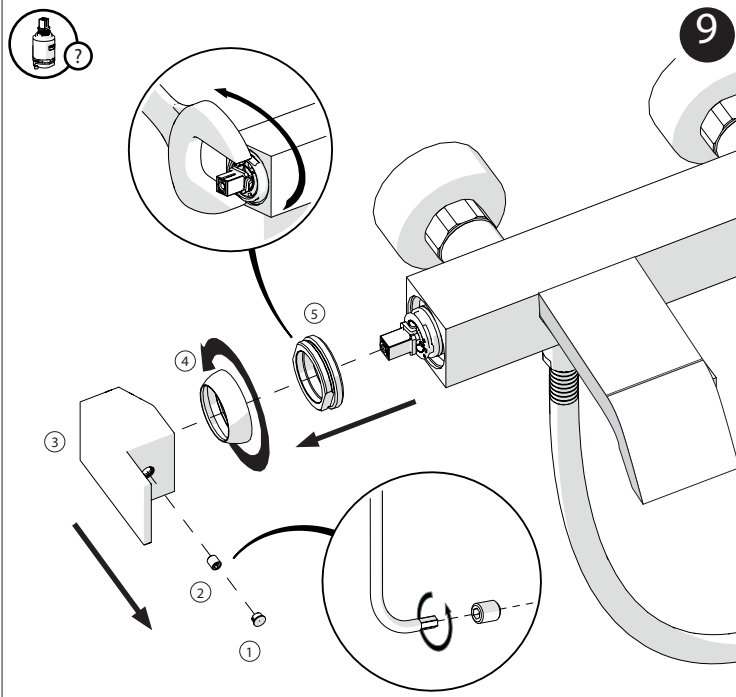
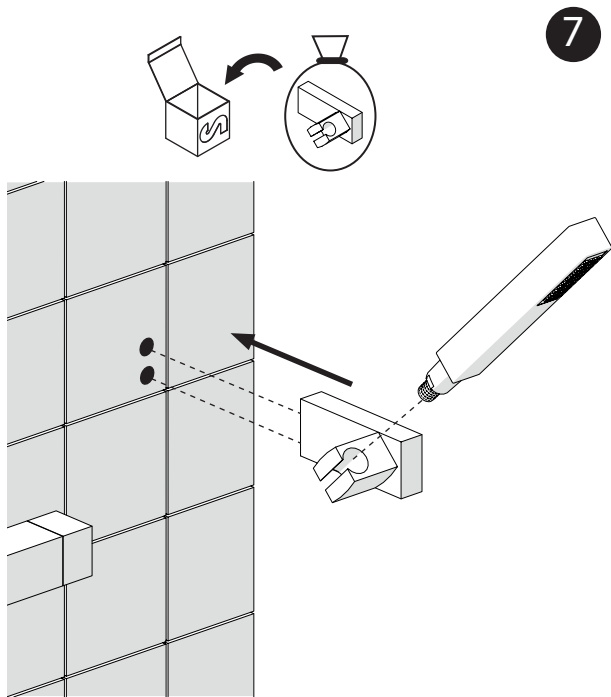


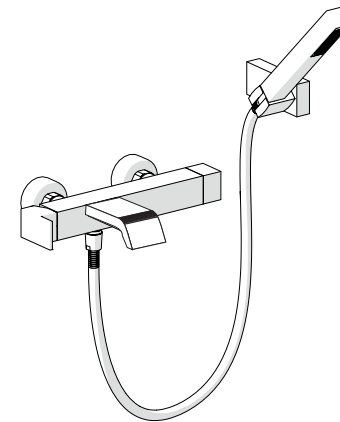
Not included / Non incluso / Non Inclus / Nie zawarty / No incluido / Nao incluido





IISTRSF00110#---STD

NOBILIS®
The Best Technology for Water



MI102110

SF00110

SL00110

RY00110

MI102110/1

SF00110/1

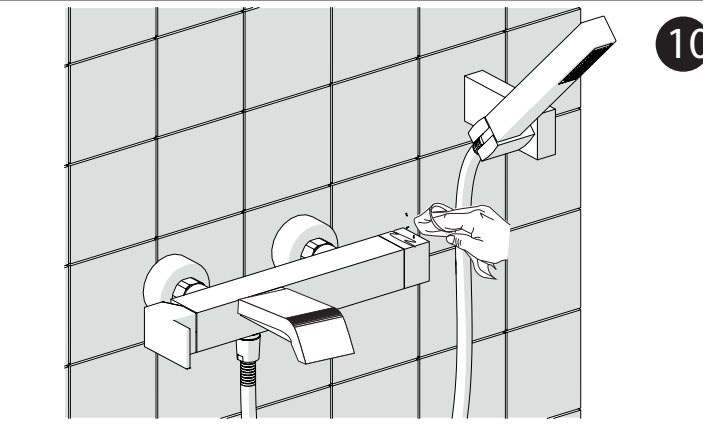
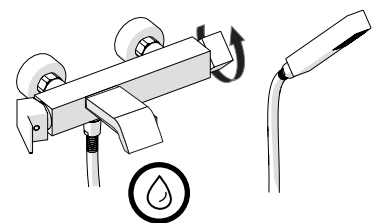
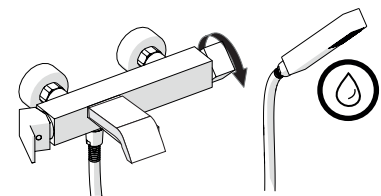
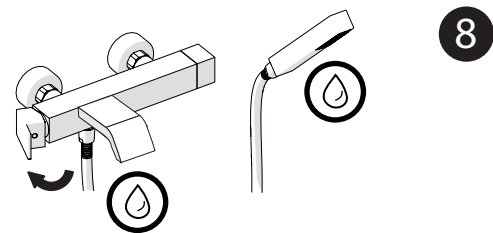
SL00110/1

RY00110/1

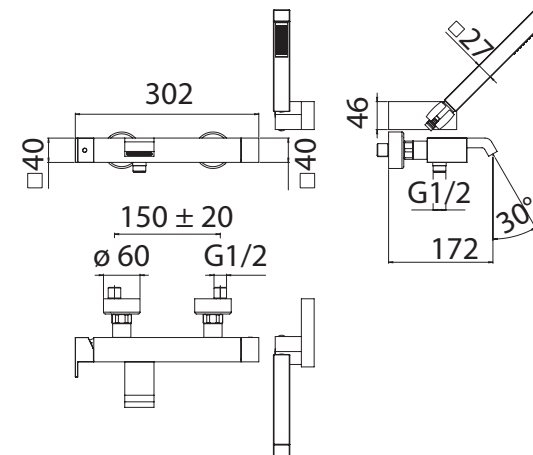
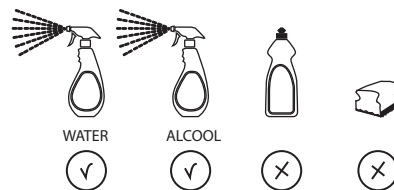


www.grupponobili.it

REV1.03/2014



CLEANING



P	p bar	T	T °C
0.5 MIN.	MAX 10	5	MAX 80