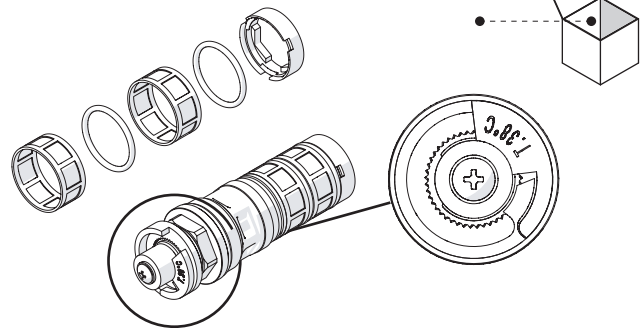
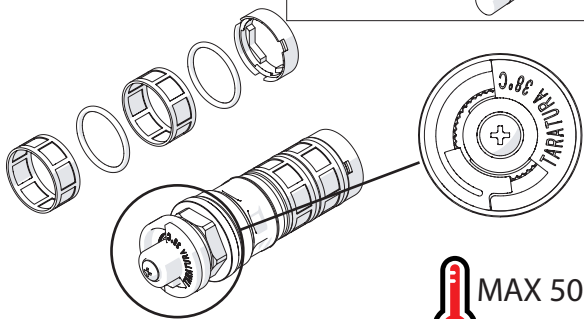
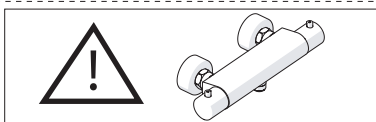


RCR201/5

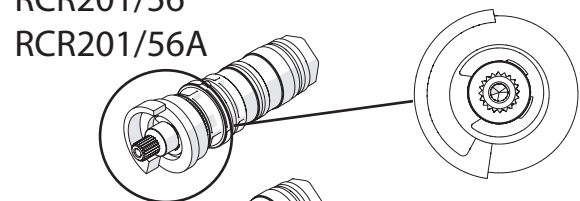


1

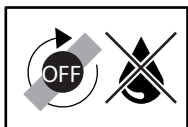
RCR201/6



RCR201/56  
RCR201/56A

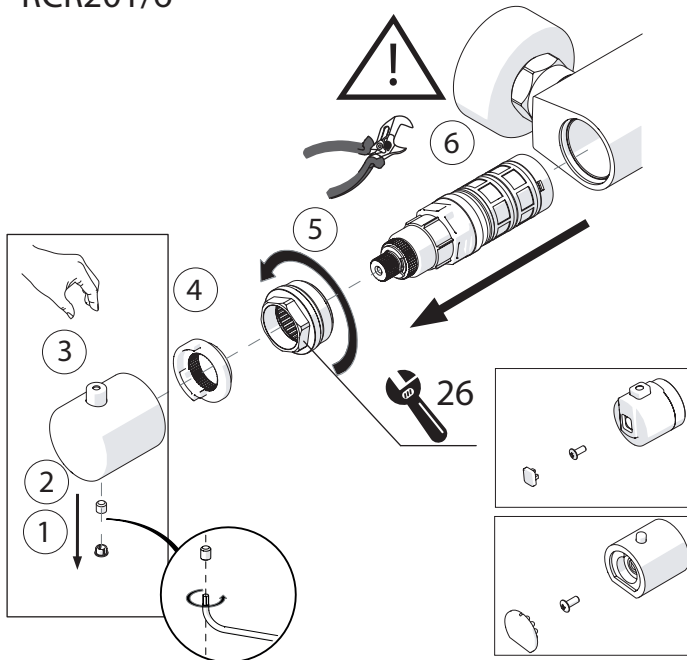


- RCR201/56
- 
 COLOR GREEN
- 
 COLOR BLUE



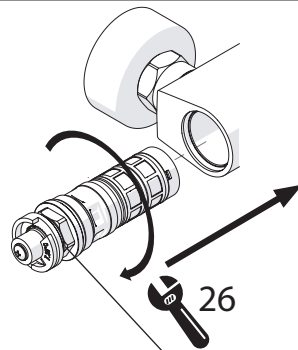
RCR201/5  
RCR201/6

2

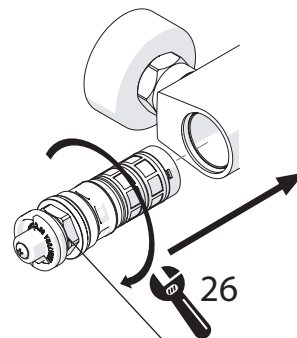


RCR201/5

3

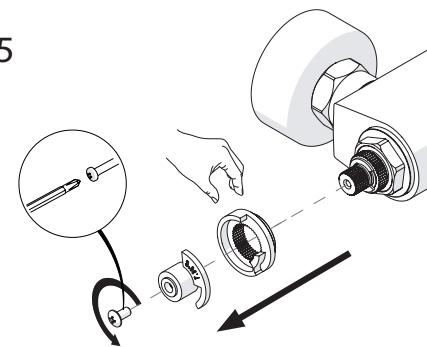


RCR201/6

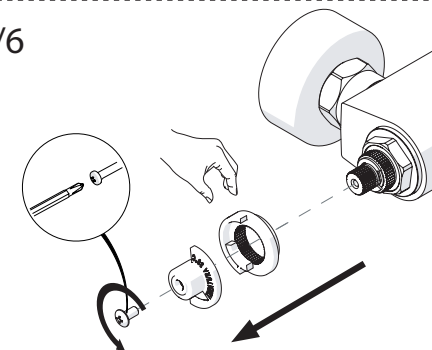


RCR201/5

4

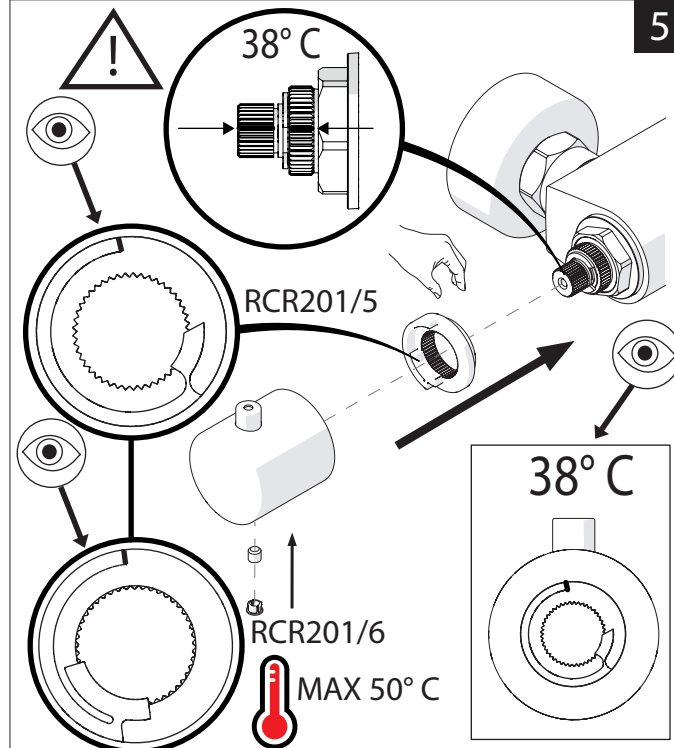


RCR201/6



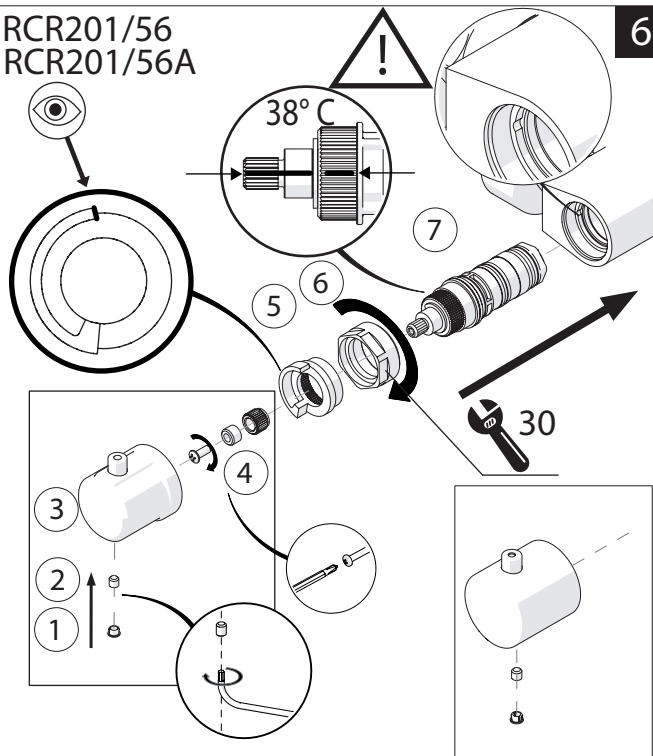
RCR201/5

5



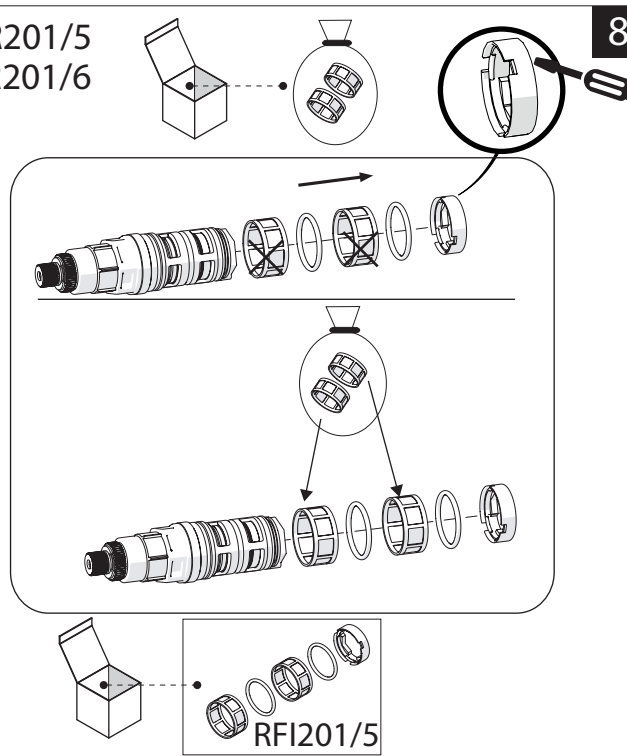
RCR201/56  
RCR201/56A

6

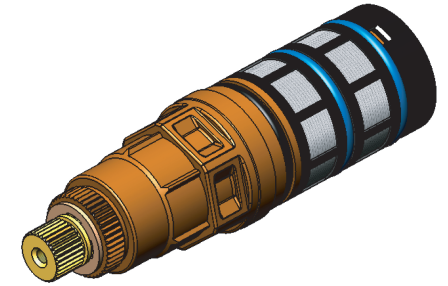


RCR201/5  
RCR201/6

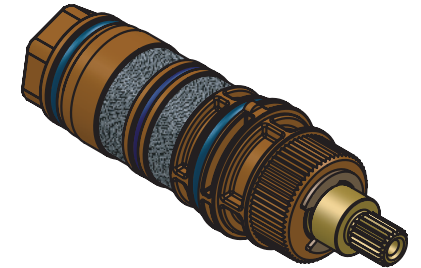
8



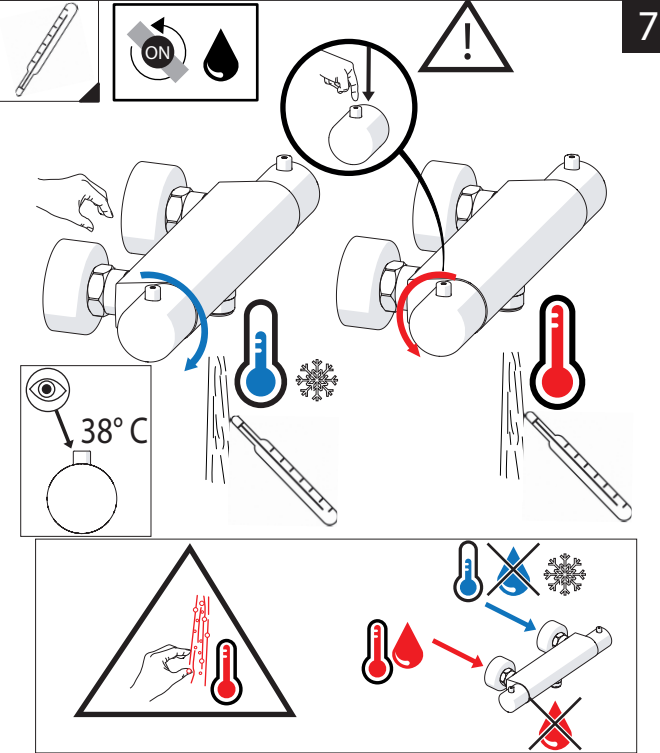
RCR201/5  
RCR201/6



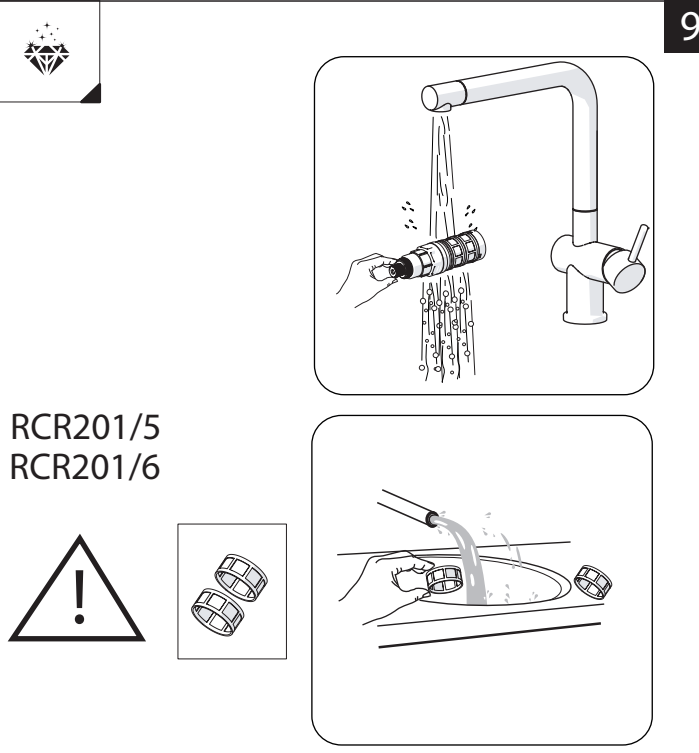
RCR201/56  
RCR201/56A



7

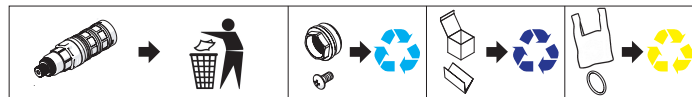


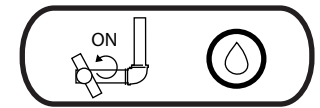
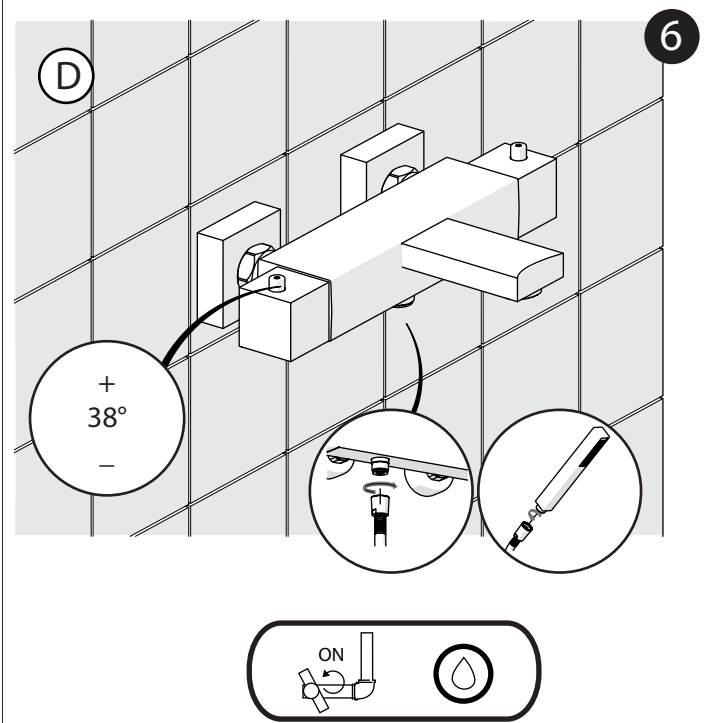
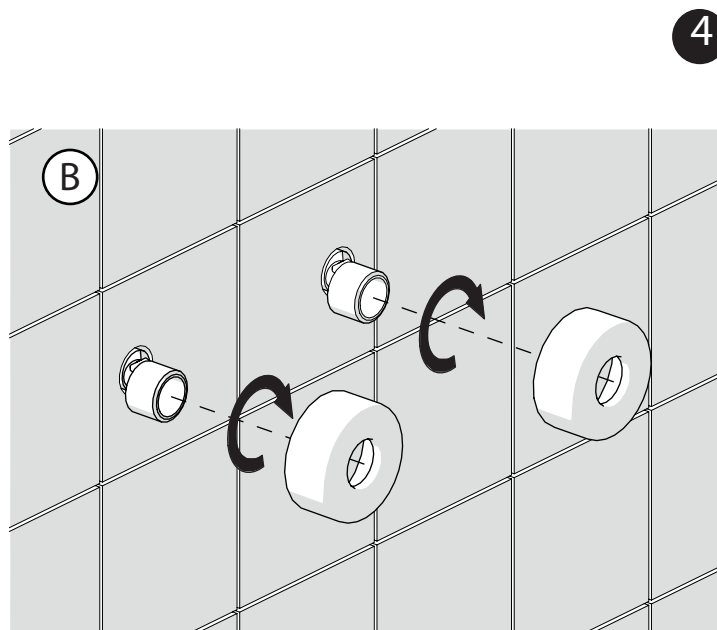
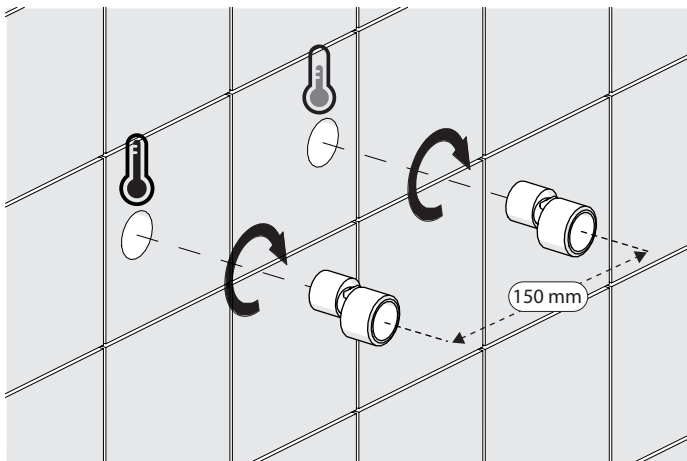
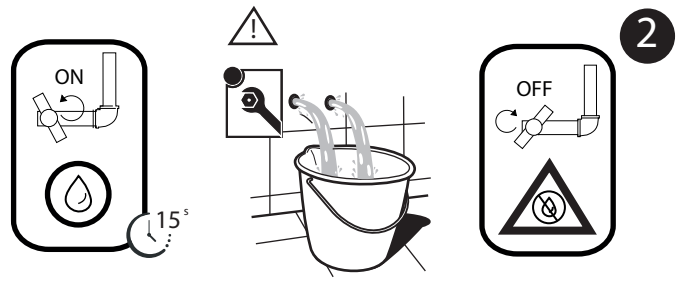
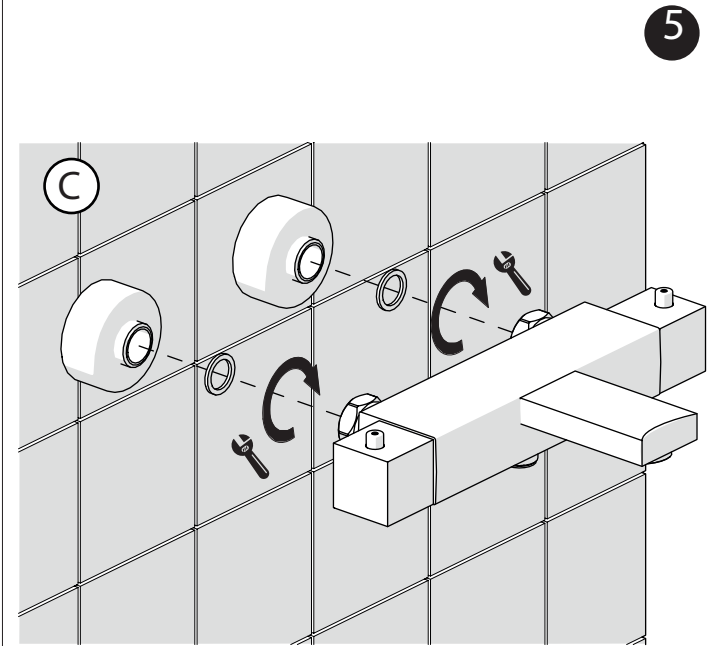
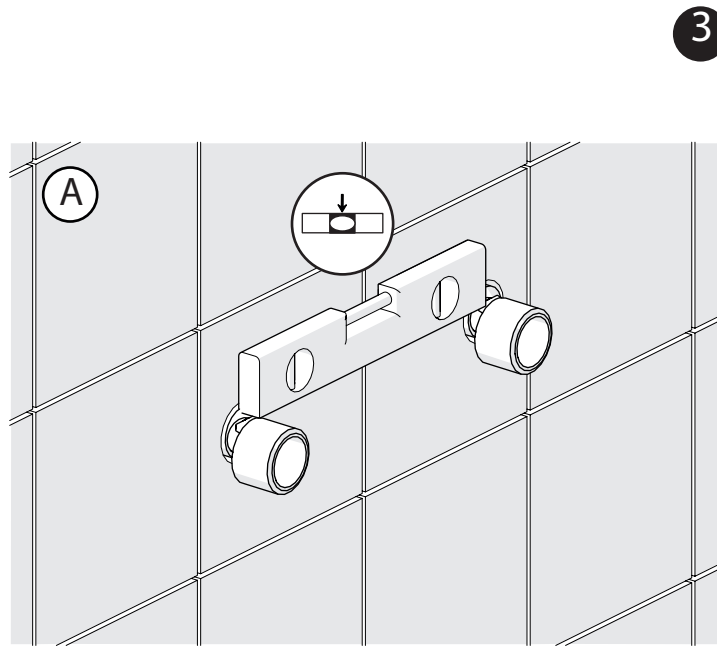
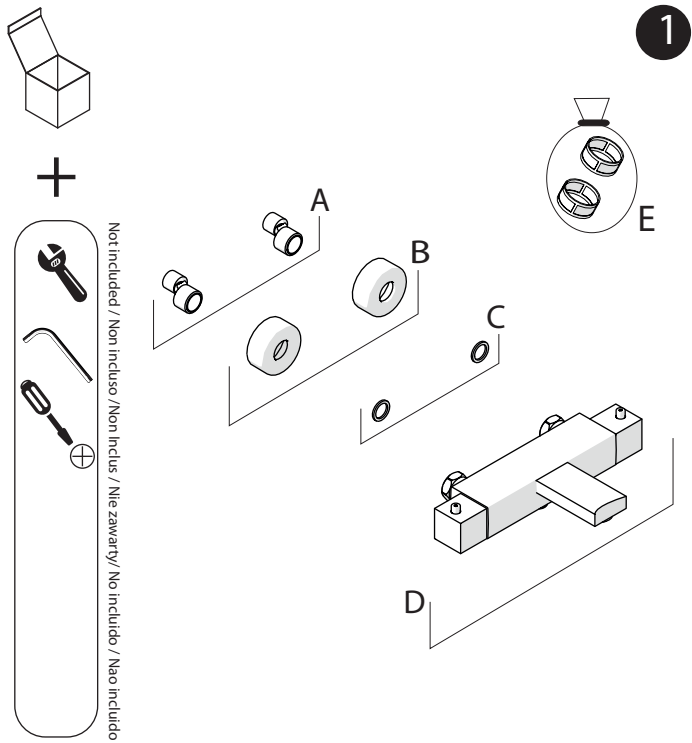
9

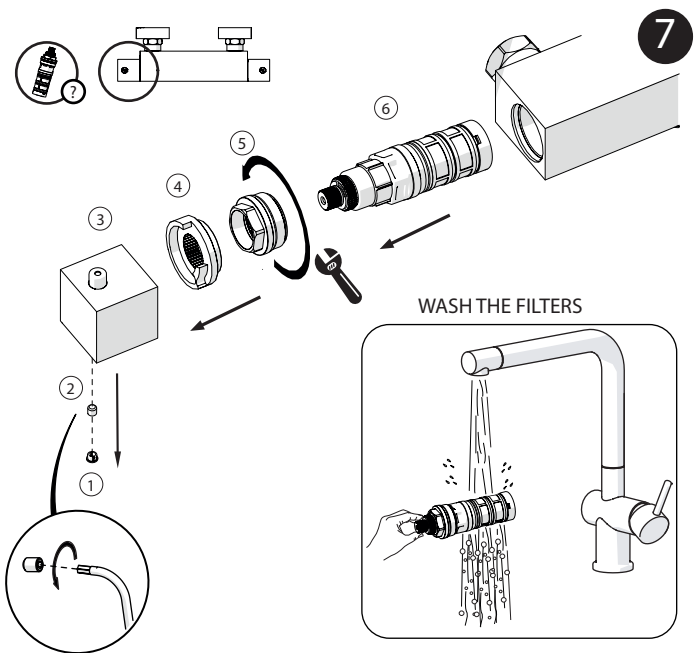


	<b>P</b> P bar	MAX 10 0,5 MIN	5 1	
--	-------------------	-------------------	--------	--

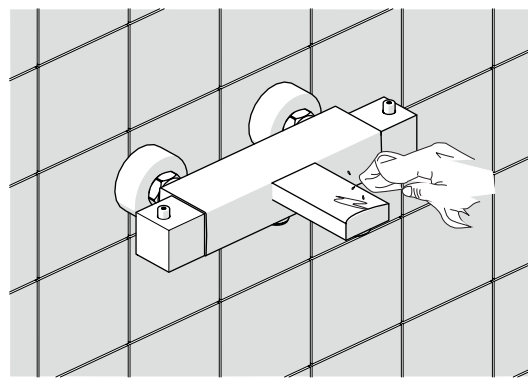
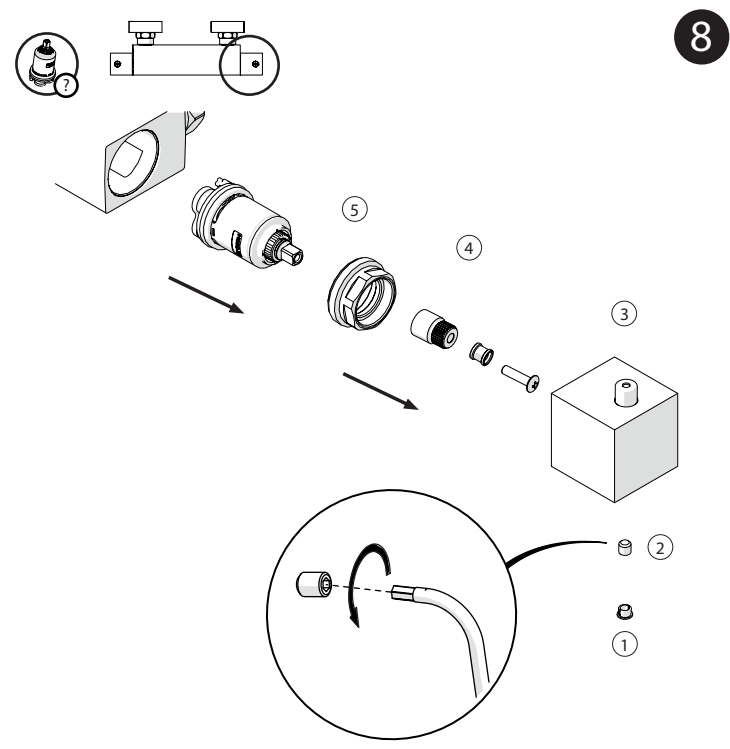
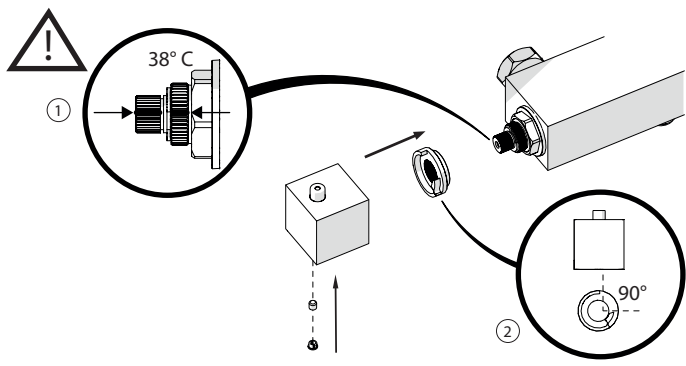
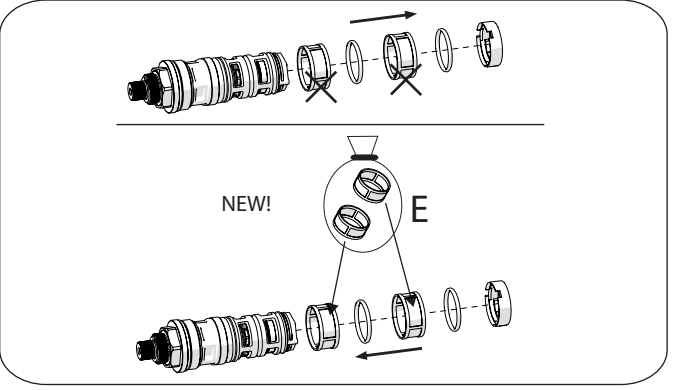
	<b>T</b> T °C	MAX 80	65 45	
--	------------------	--------	----------	--



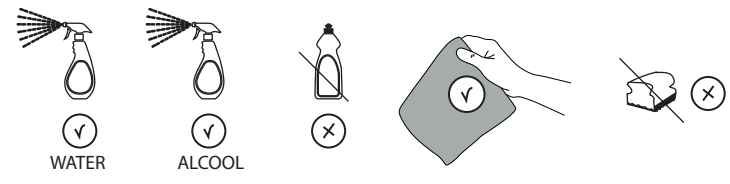




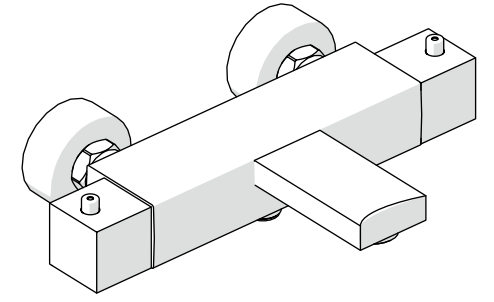
CHANGE FILTERS (spare into the box)



 CLEANING



**NOBILIS®**  
The Best Technology for Water



MI102010/1   SF00010/1   RY00010/1   TGQ85310/1  
SL00010/1

IISTRSF00010\_1#---STD



www.grupponobili.it

REV1.03/2014

