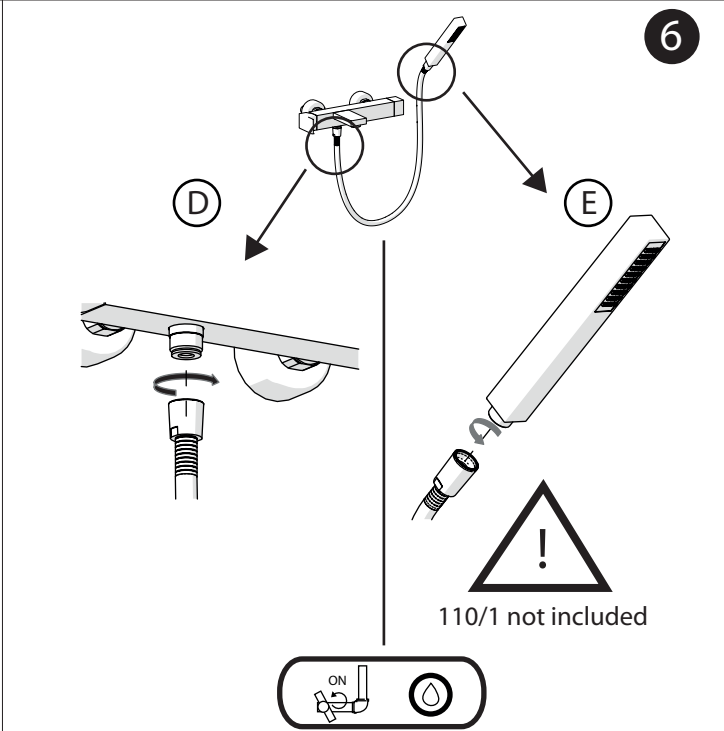
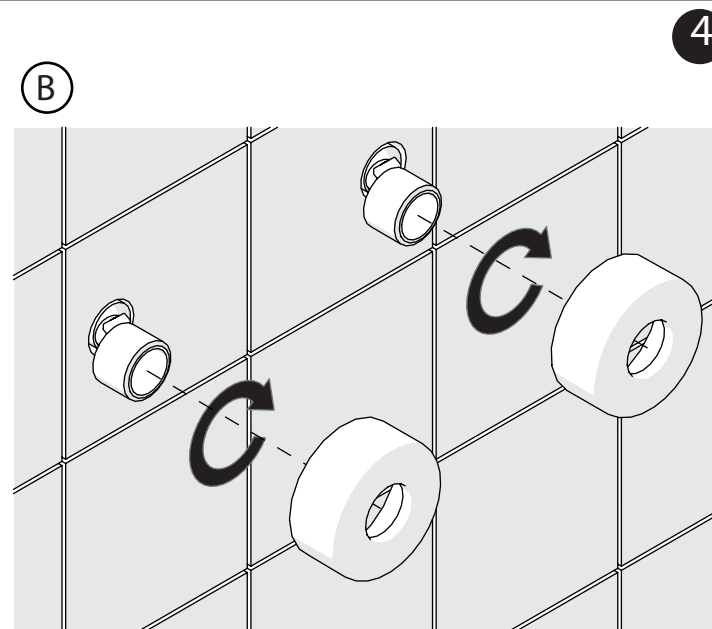
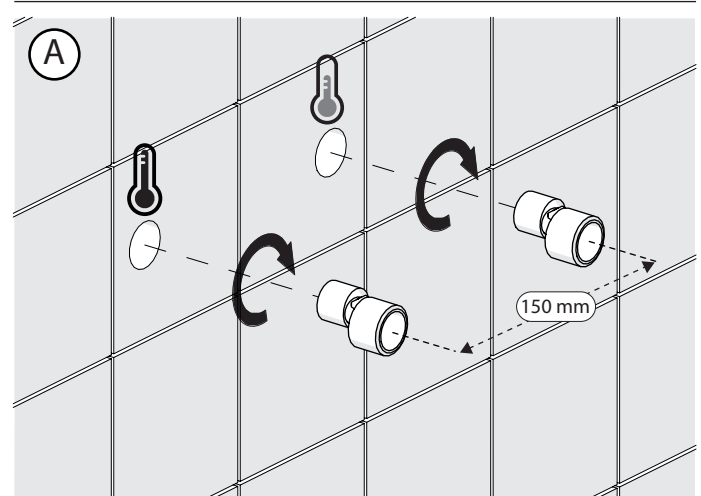
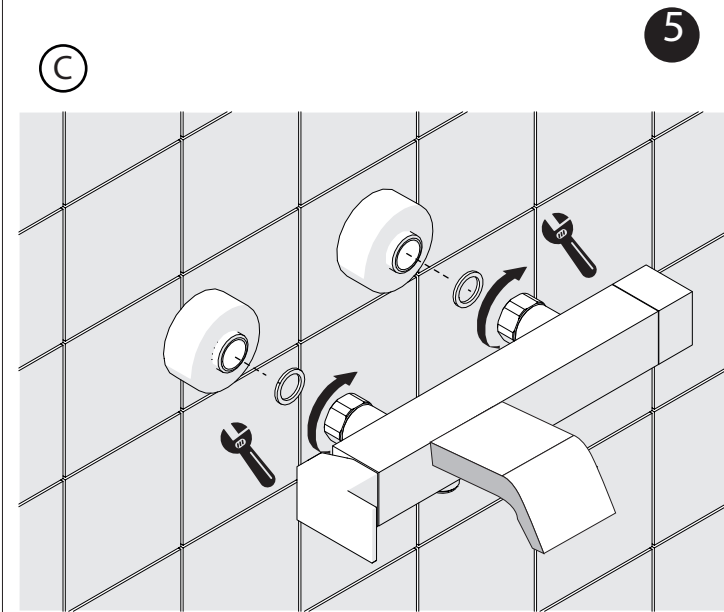
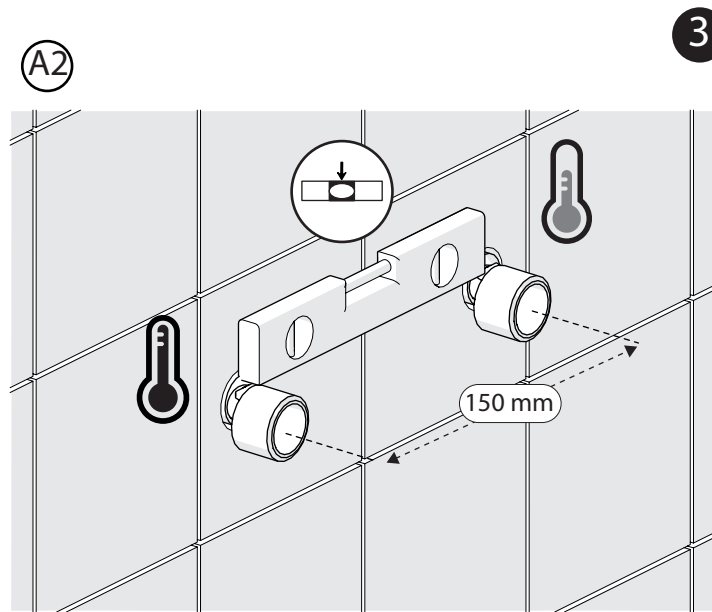
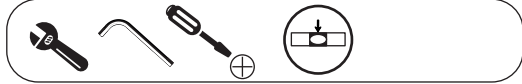
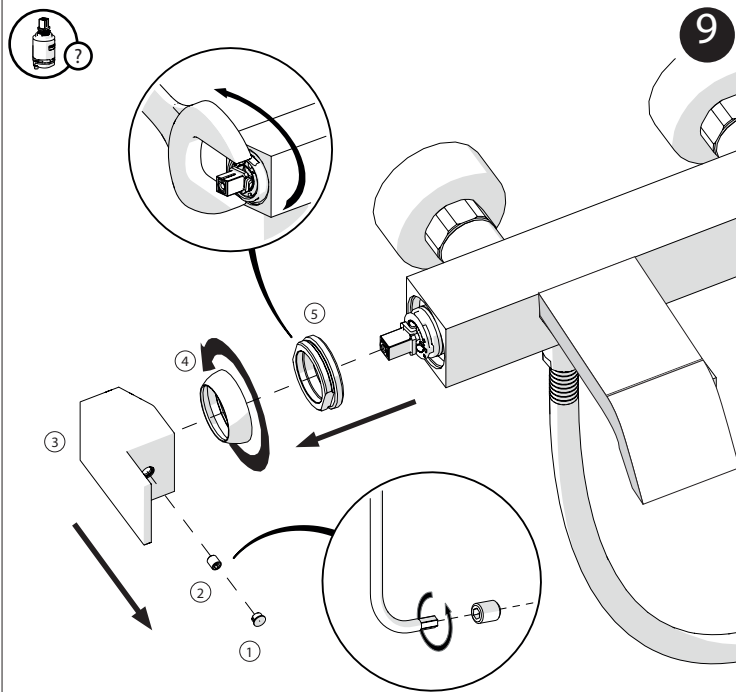
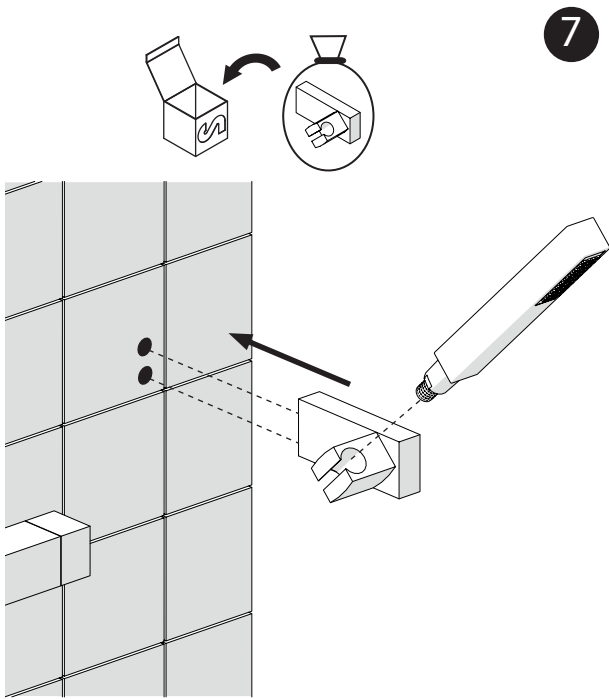


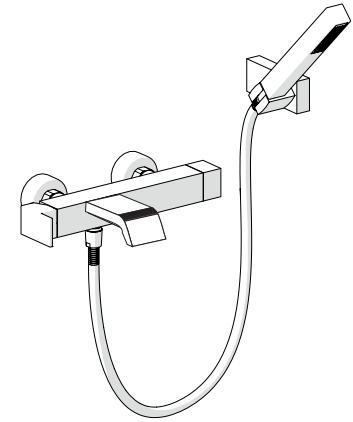
Not included / Non incluso / Non Inclus / Nie zawarty / No incluido / Nao incluido





IISTRSF00110#---STD

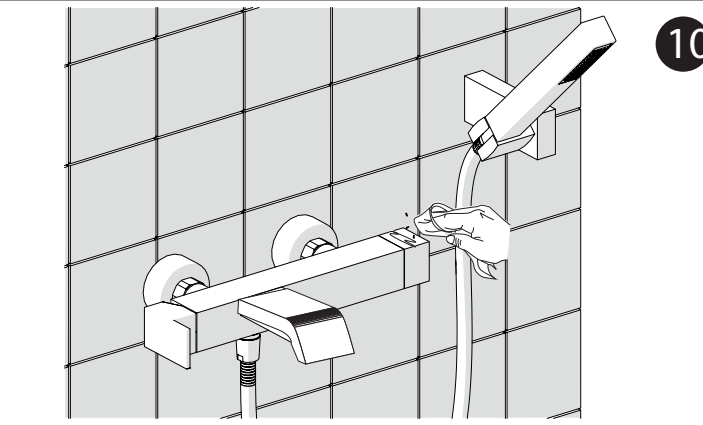
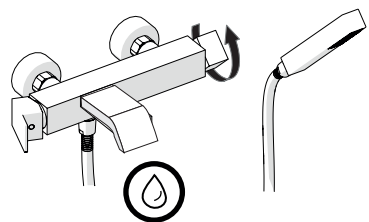
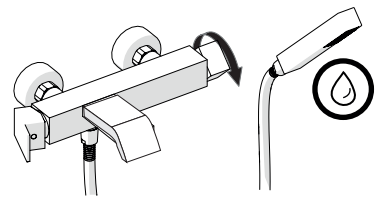
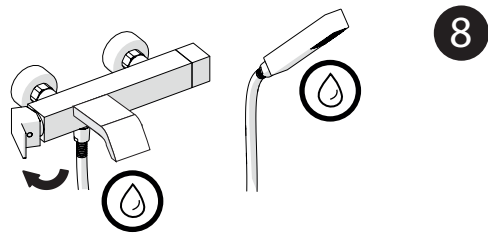
NOBILIS®
The Best Technology for Water



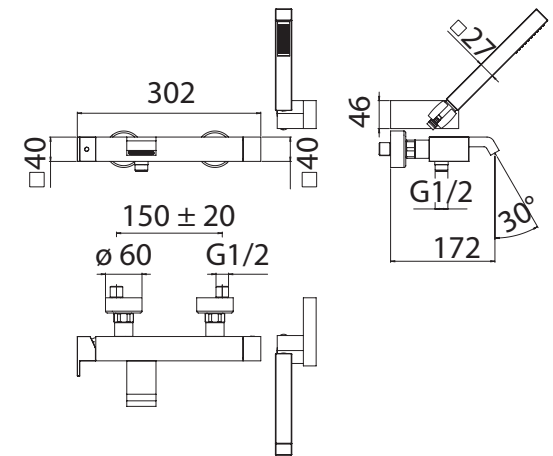
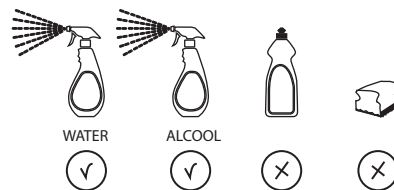
- | | | | |
|------------|-----------|-----------|-----------|
| MI102110 | SF00110 | SL00110 | RY00110 |
| MI102110/1 | SF00110/1 | SL00110/1 | RY00110/1 |



www.grupponobili.it



CLEANING



P	p bar	MAX 10	5	T	T °C	MAX 80	65 45
		0.5 MIN.					