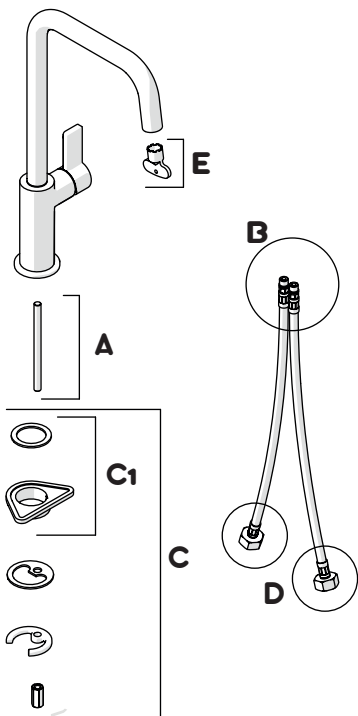




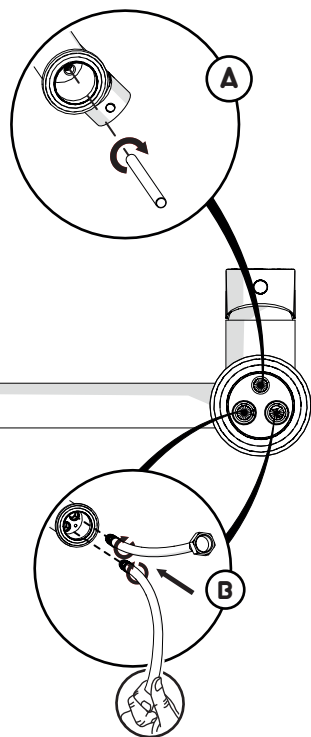
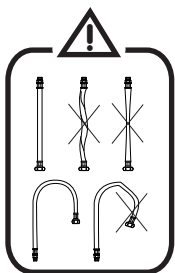
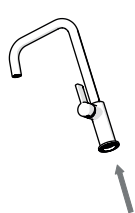
+



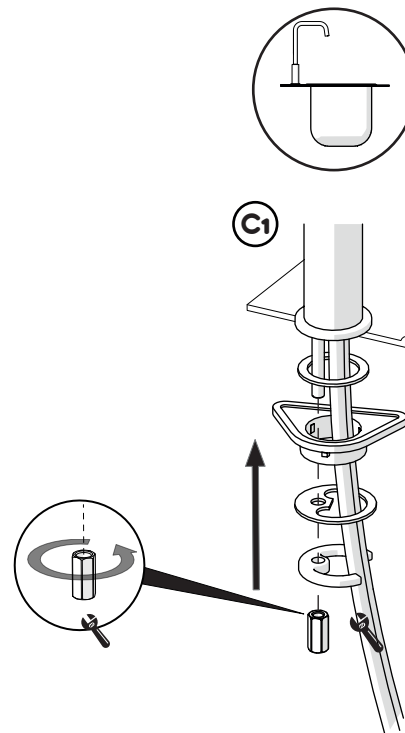
Not included / Non incluso / Non inclus / Nie zawarty / No incluido / Não incluido



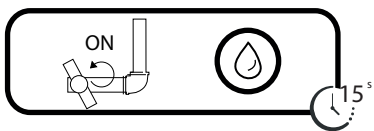
1



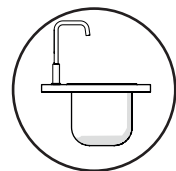
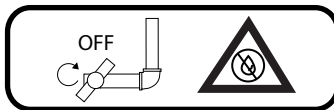
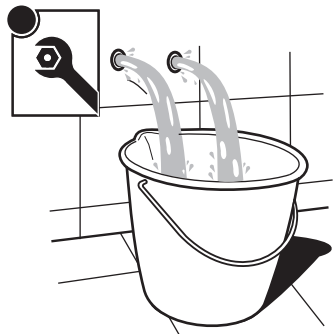
3



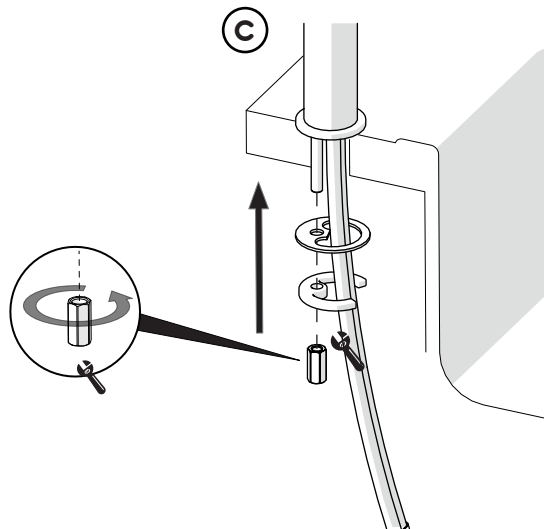
5



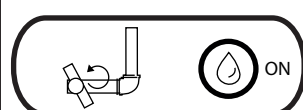
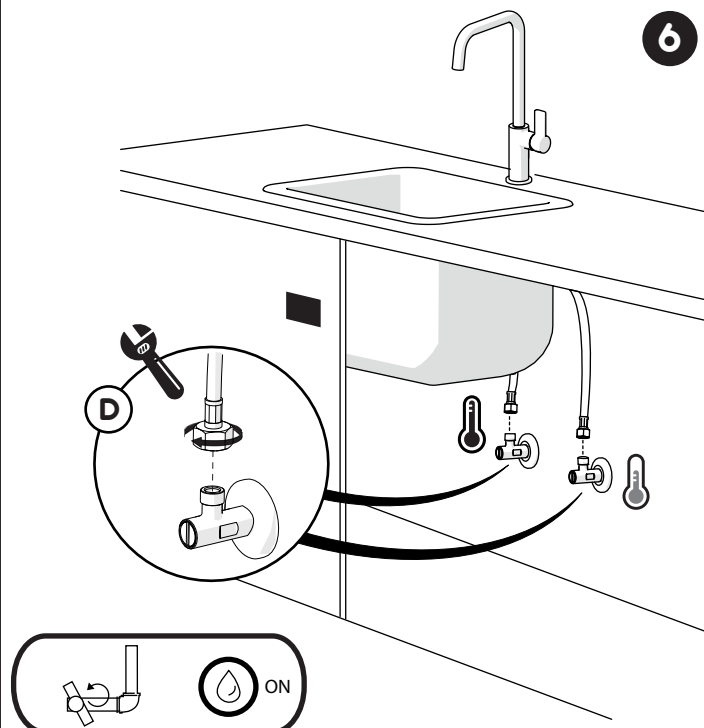
2



4



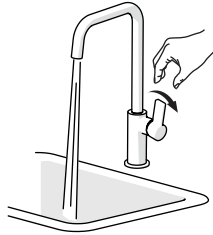
6



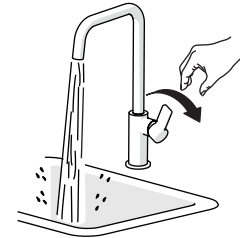
-50%



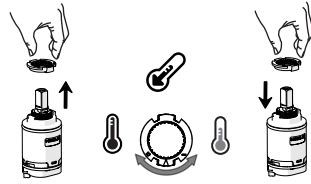
7



ON 50%



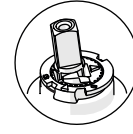
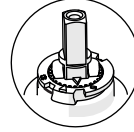
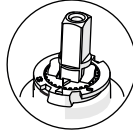
ON 100%



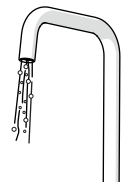
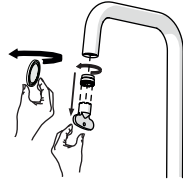
No limitation of temperature

Partial limitation of temperature

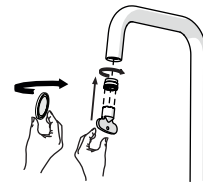
Maximum position Only cold water



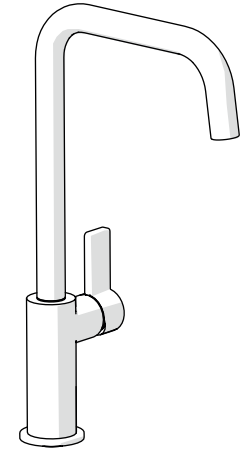
9



on



NOBILIS
The Best Technology for Water



FL96123

FL96523



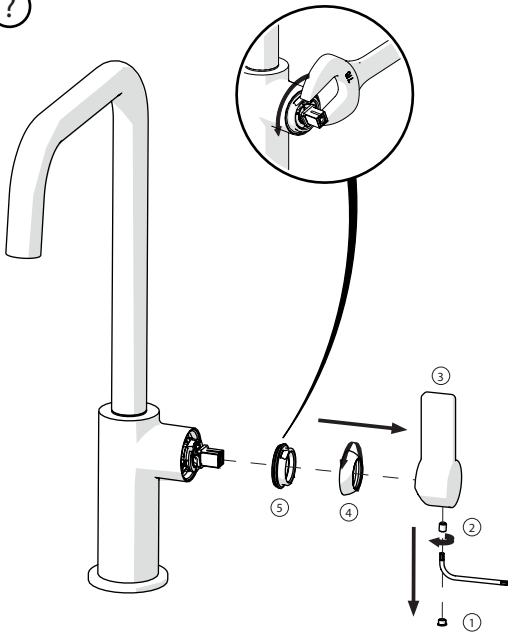
www.grupponobili.it

IISTRFL96123#--STD

REV03/2013

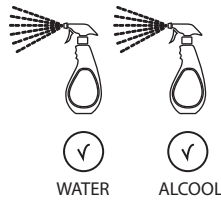


8



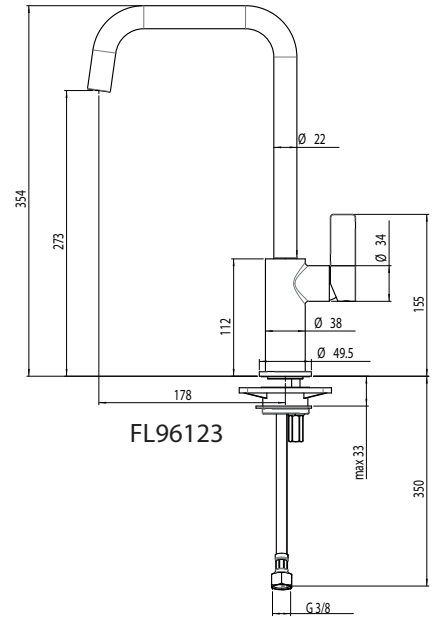
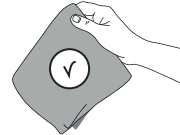
10

CLEANING



WATER

ALCOOL



FL96123

| | | | | | | | | | | | | | | |
|--|---|-------|----------|--------|--|---|--|--|---|------|--------|--|--------|--|
| | P | P bar | 0,5 MIN. | MAX 10 | | 5 | | | T | T °C | MAX 80 | | MIN 45 | |
|--|---|-------|----------|--------|--|---|--|--|---|------|--------|--|--------|--|