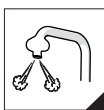
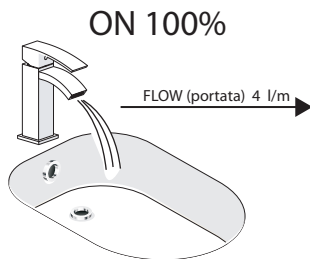
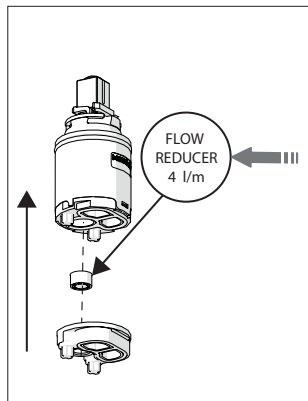


RY00119/1

RY00119/2

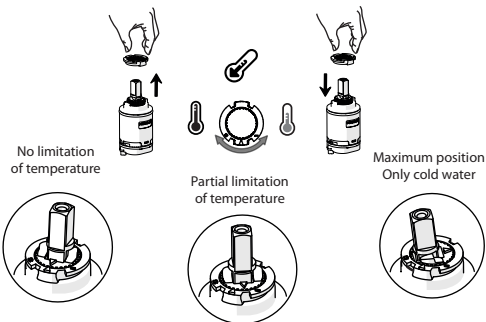
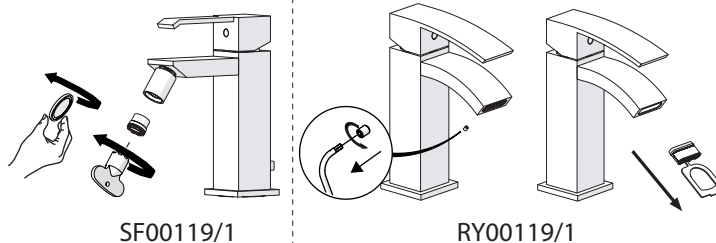
FLOW REDUCER  
(riduttore portata)  
4 l/m

7

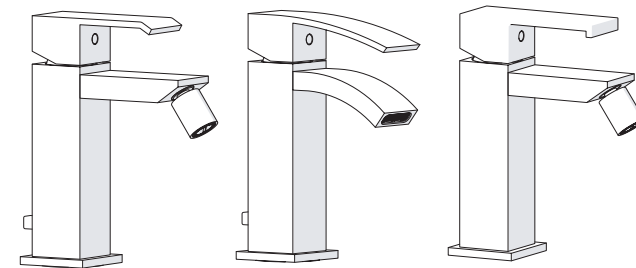


VARIE POSSIBILITA' PER SMONTARE L'AERATORE  
SEVERAL OPTIONS FOR REMOVING AERATOR

9



**NOBILIS®**  
The Best Technology for Water



SF00119/1

RY00119/1

MI102119/1

SF00119/2

RY00119/2

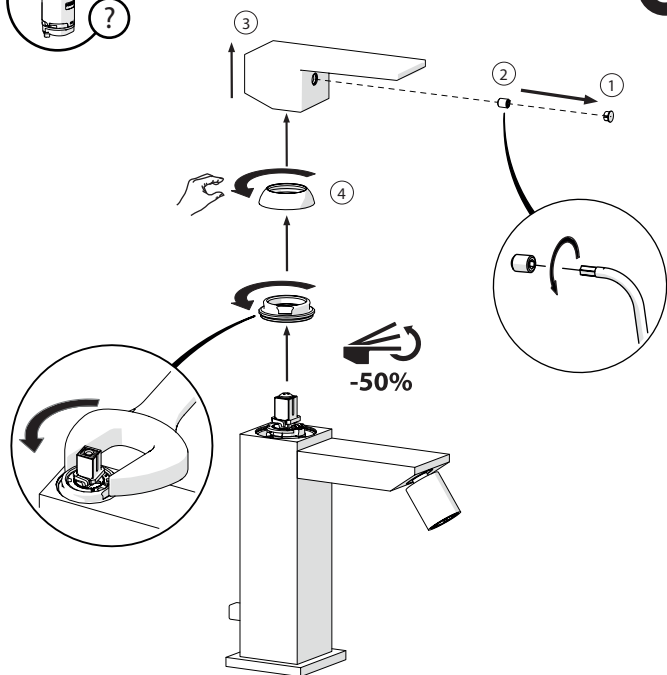
MI102119/2

SL00119/1

SL00119/2

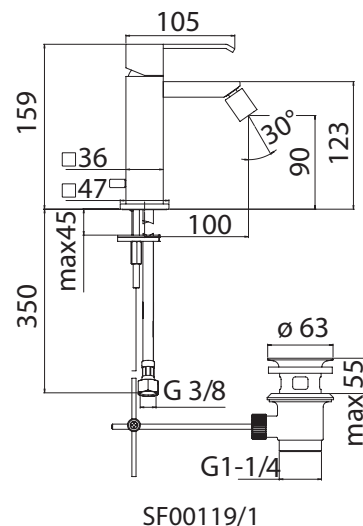


8



ESEMPIO DISEGNO TECNICO  
EXAMPLE OF TECHNICAL DRAWING

10

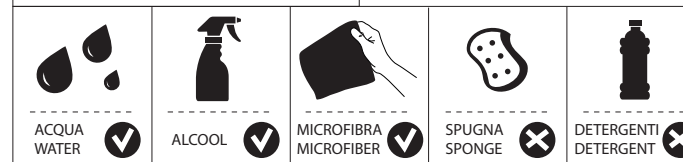


www.grupponobili.it

PRIMA DI INIZIARE / BEFORE STARTING



PULIZIA / CLEANING



IISTR5F00119#---STD



REV2.08/2015

