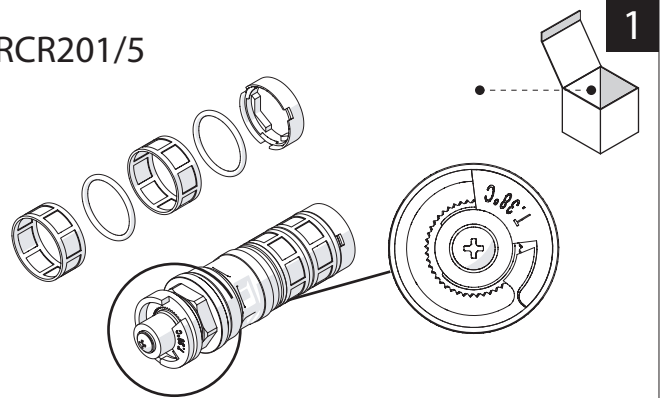
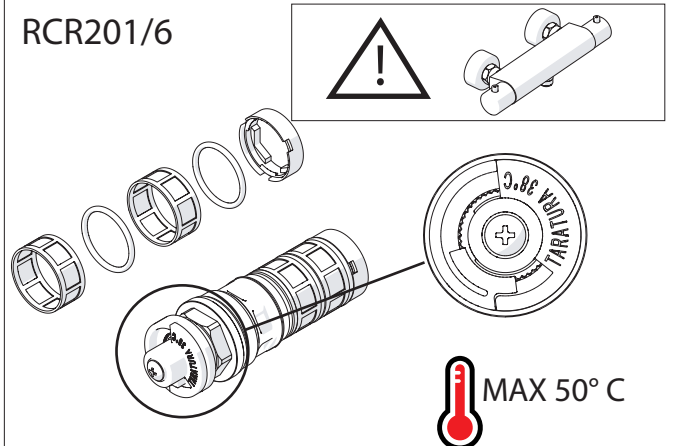


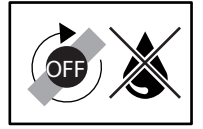
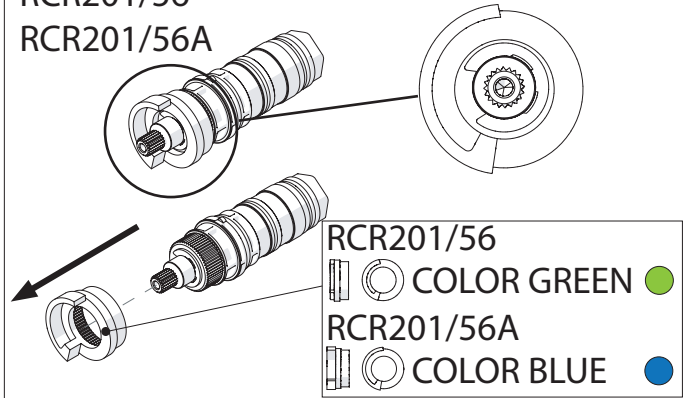
RCR201/5



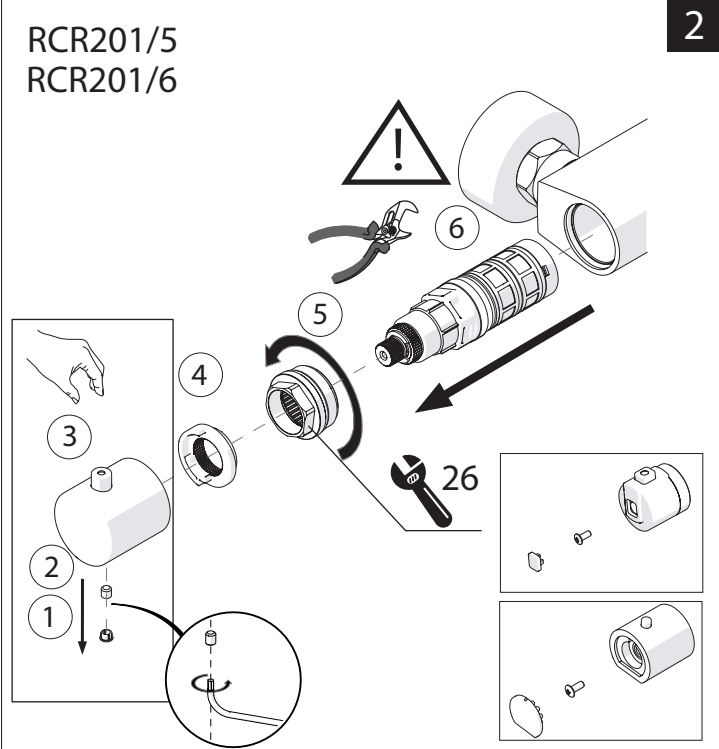
RCR201/6



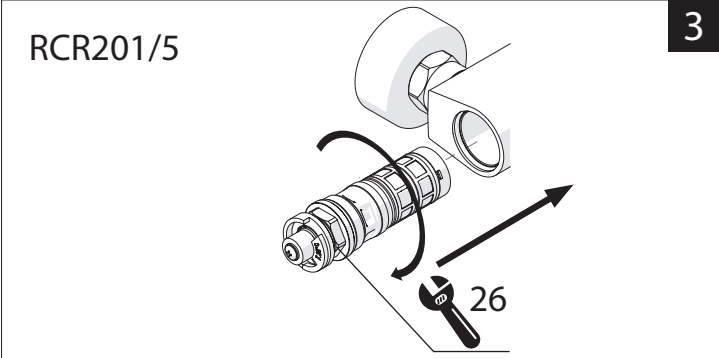
RCR201/56
RCR201/56A



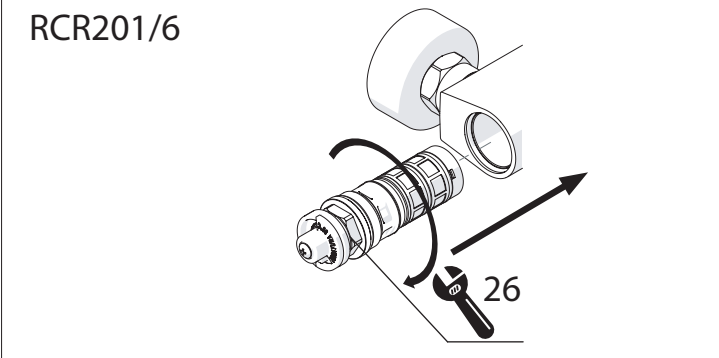
RCR201/5
RCR201/6



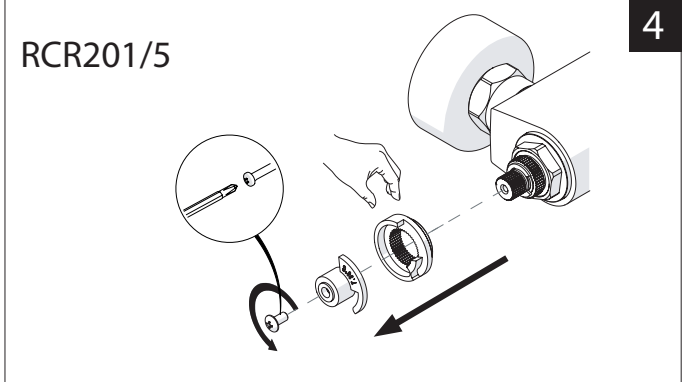
RCR201/5



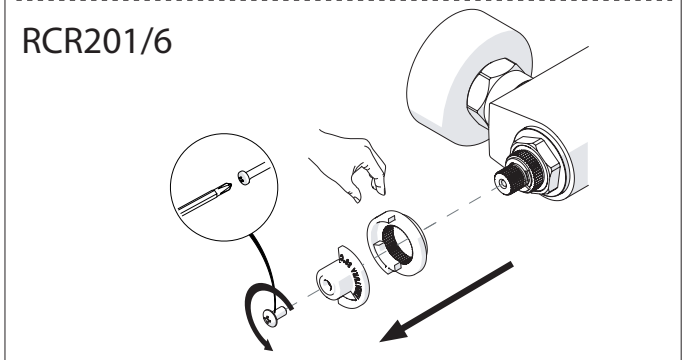
RCR201/6



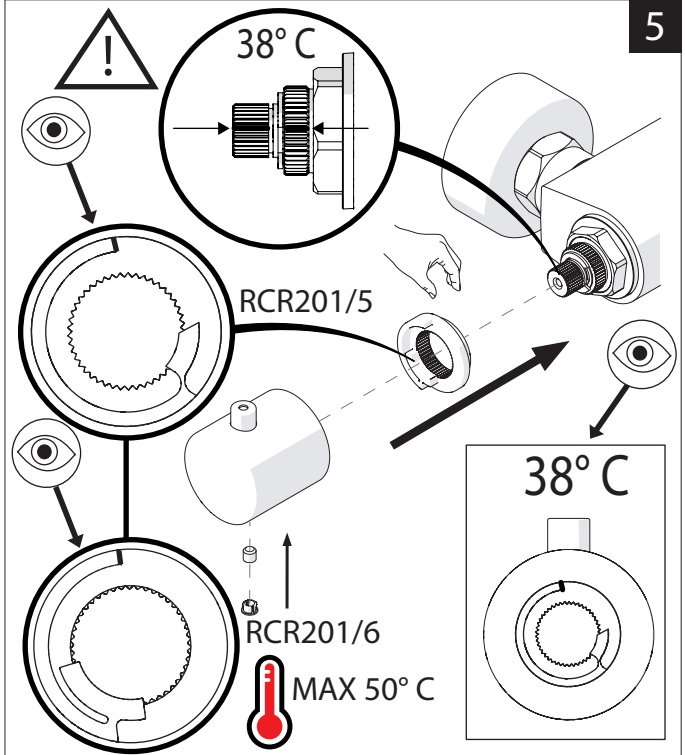
RCR201/5

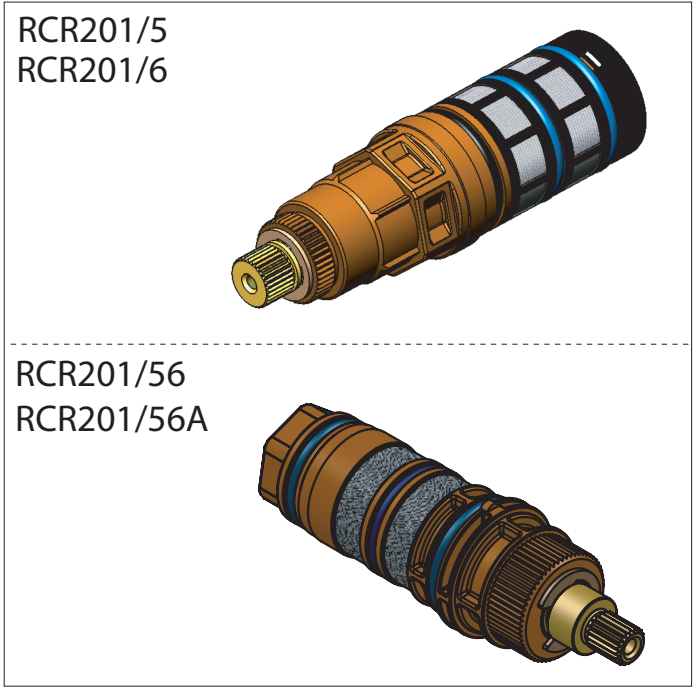
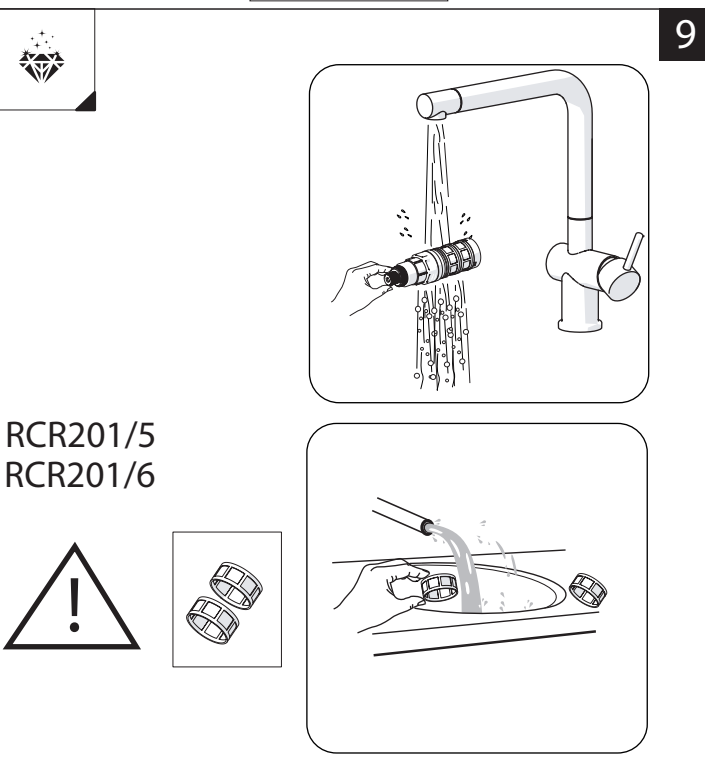
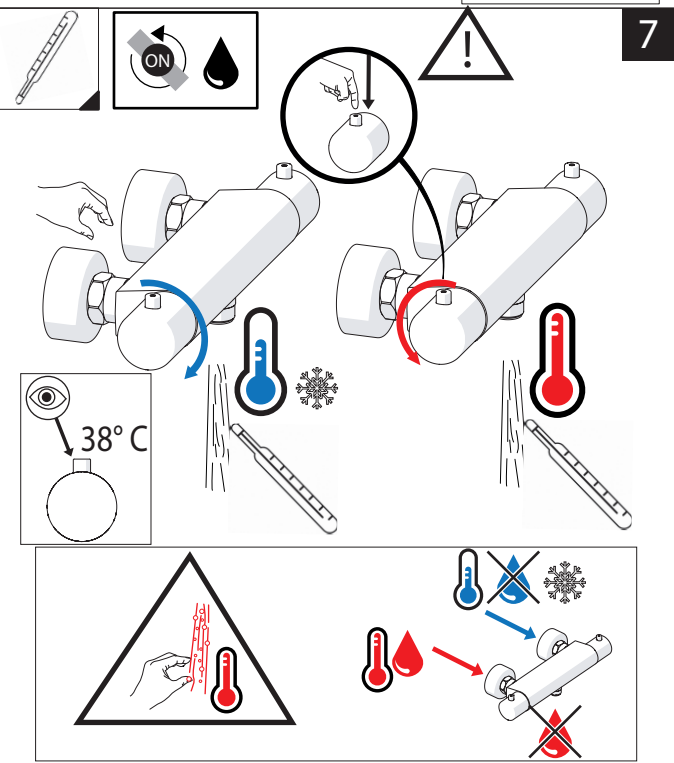
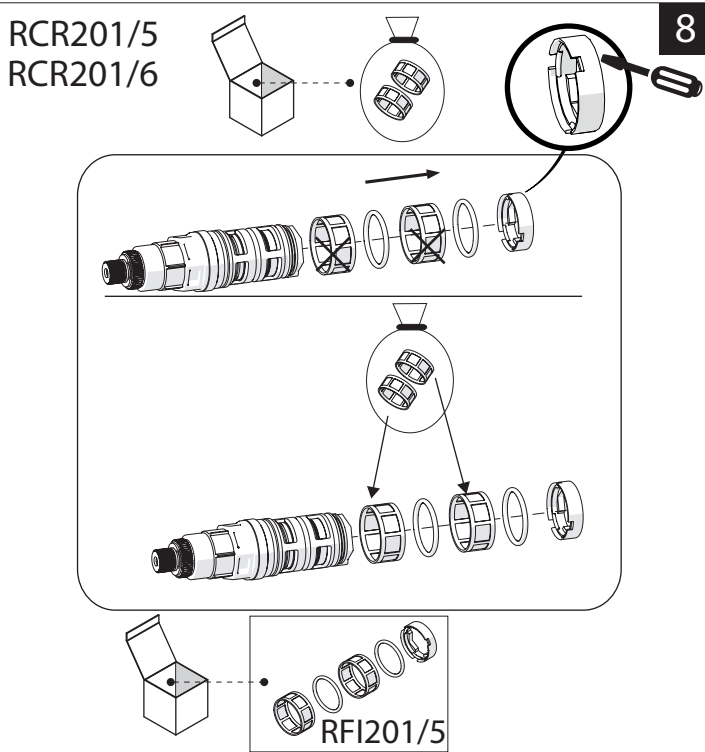
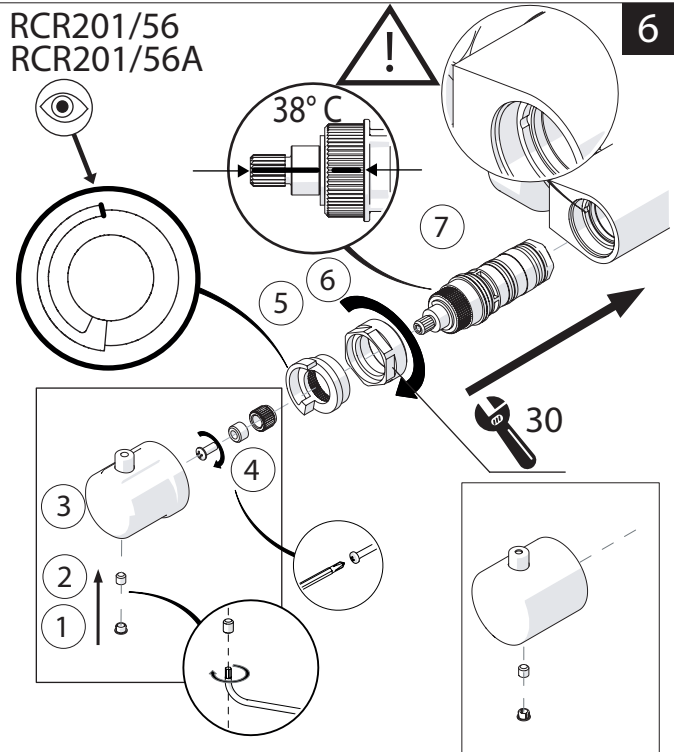


RCR201/6



RCR201/5



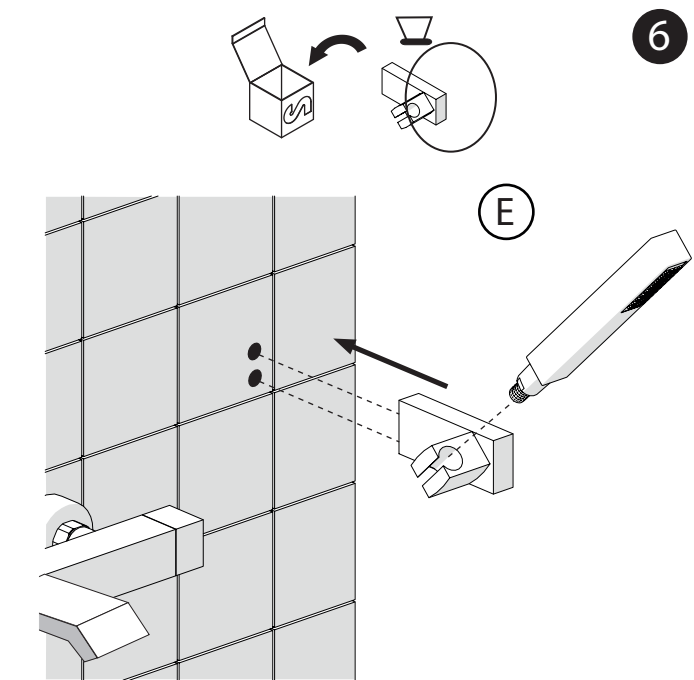
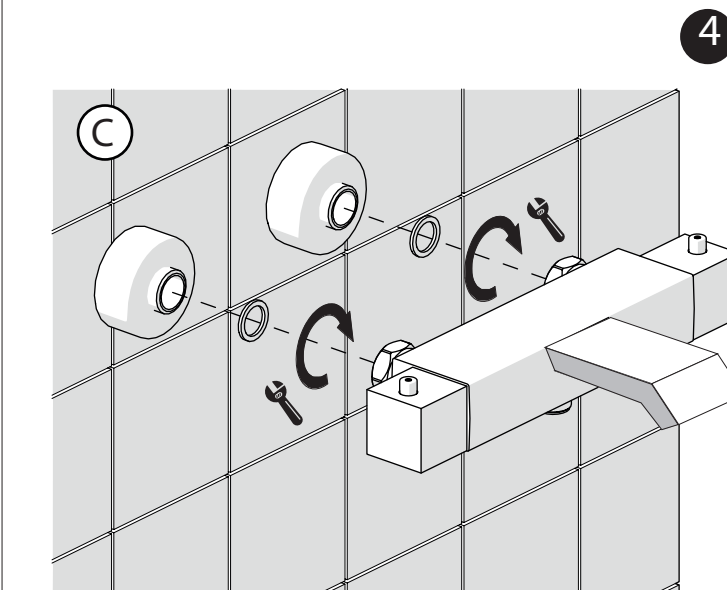
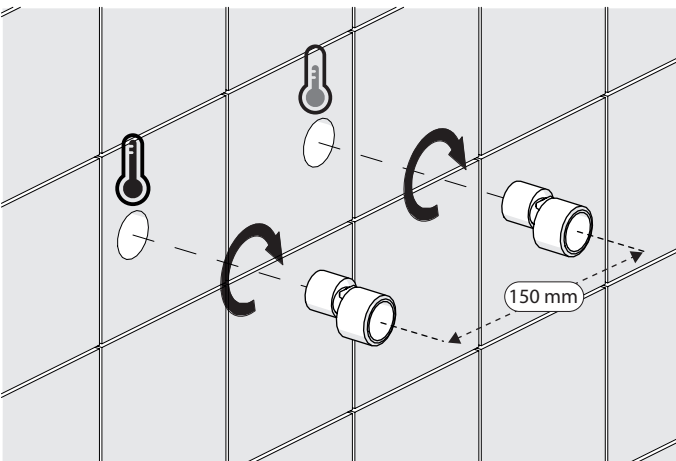
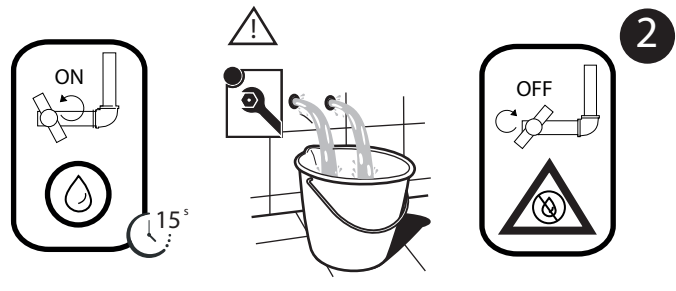
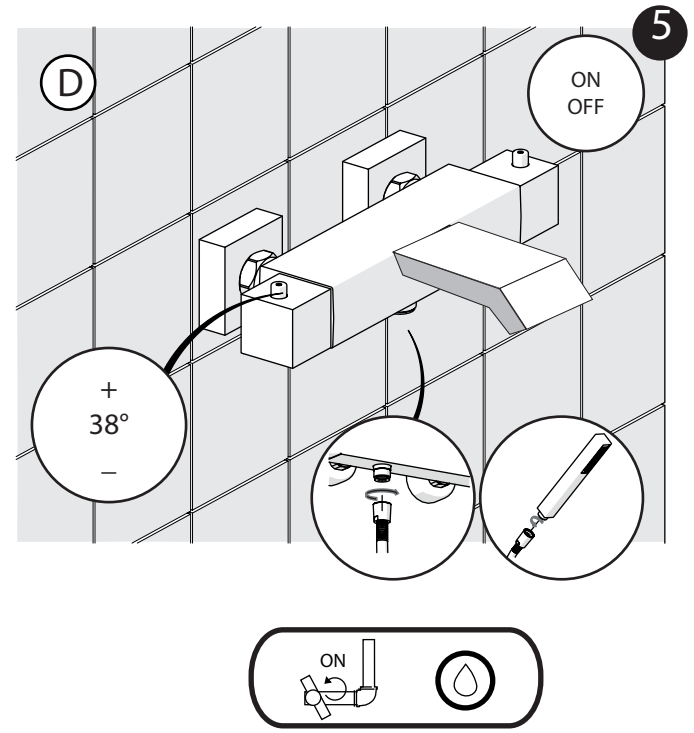
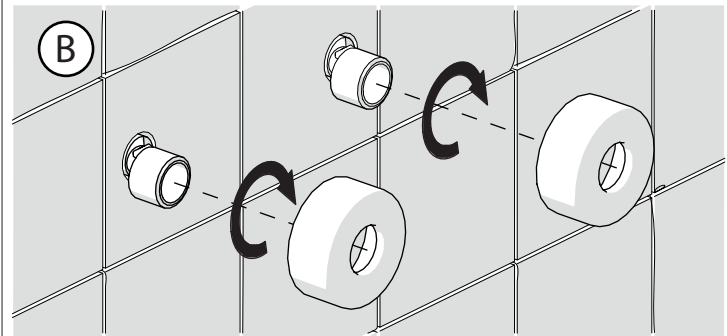
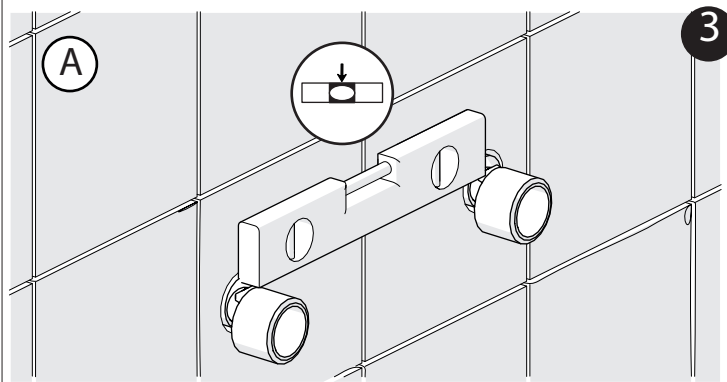
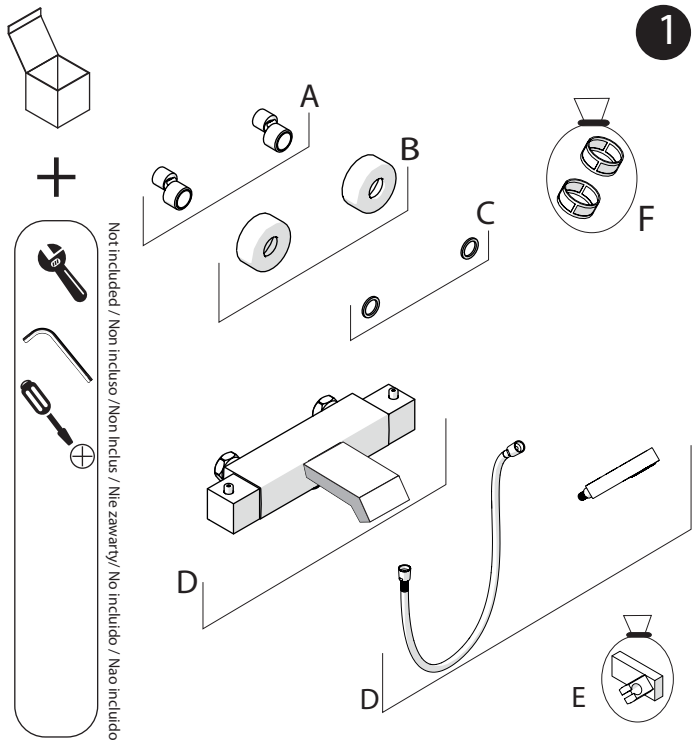


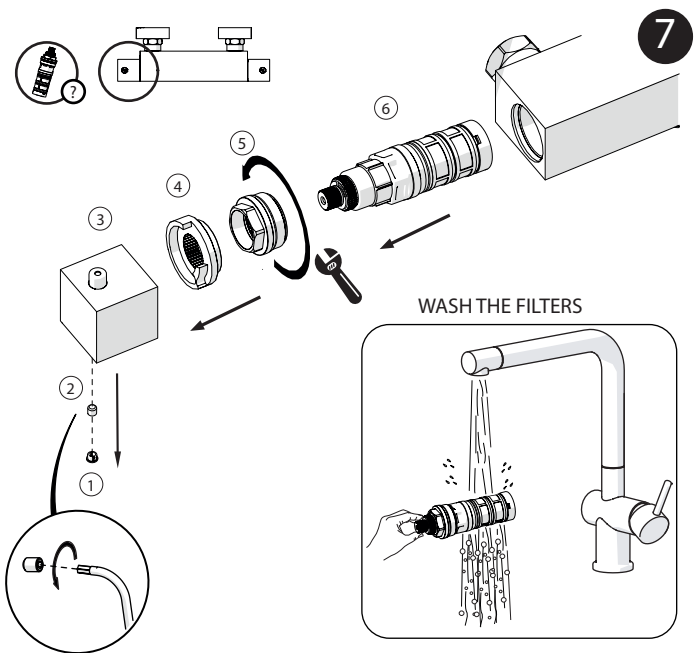
38

	P P bar	MAX 10 0,5 MIN	5 1	
	T T °C	MAX 80	65 45	

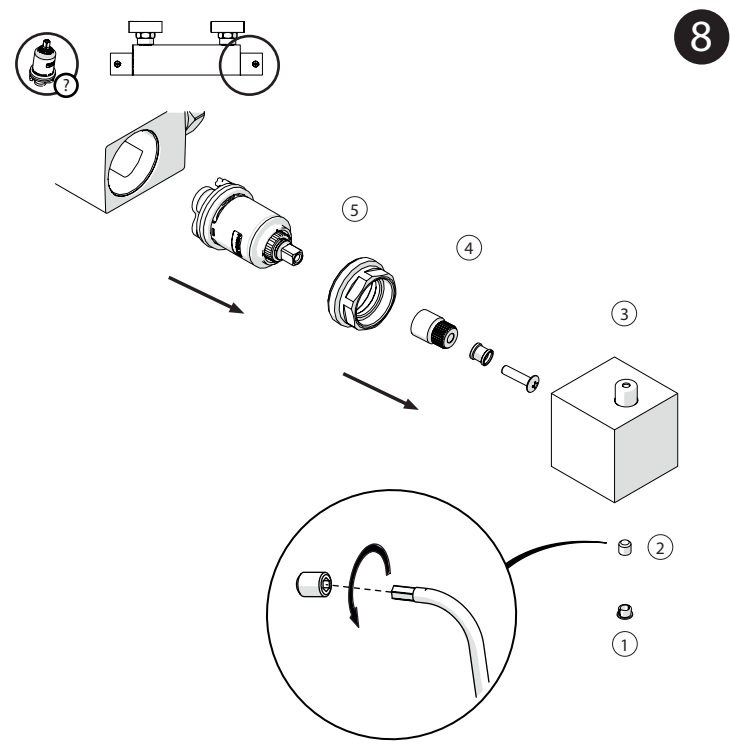
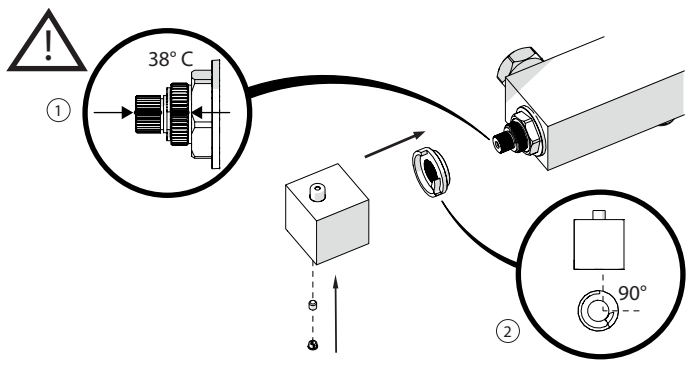
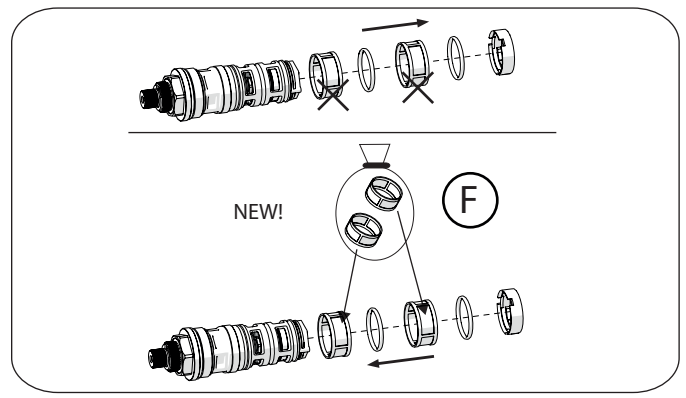
!

IISTR00201/5#--NEU REV2.12/2019

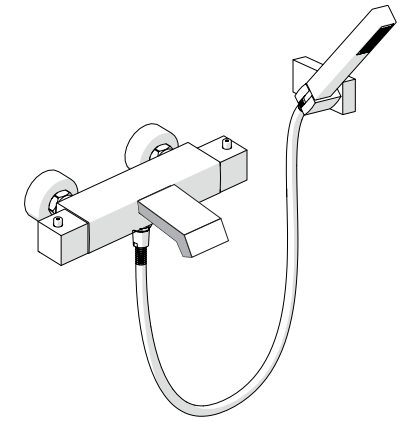
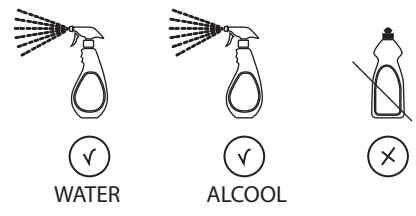
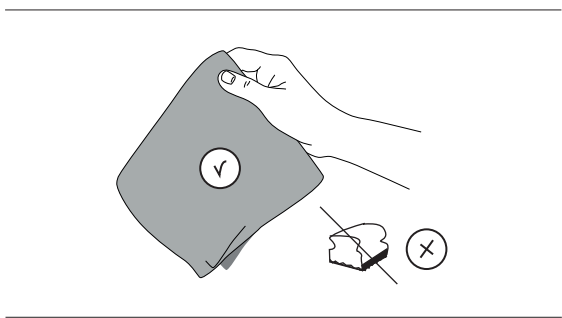




CHANGE FILTERS (spare into the box)



CLEANING



MI102010 SF00010 RY00010 TGQ85310
SL00010
www.grupponobili.it

IISTRSF00010#--STD

REV1.09/2013

