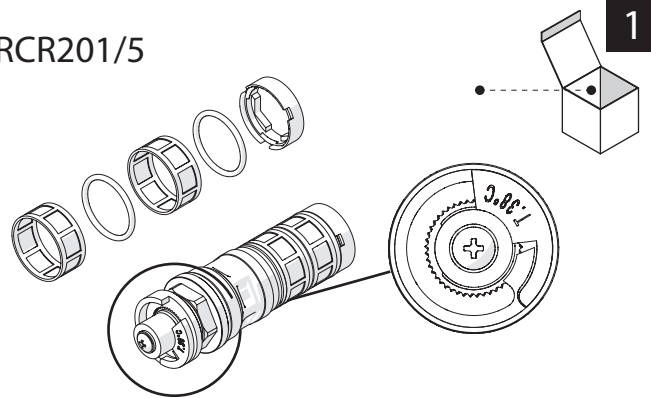
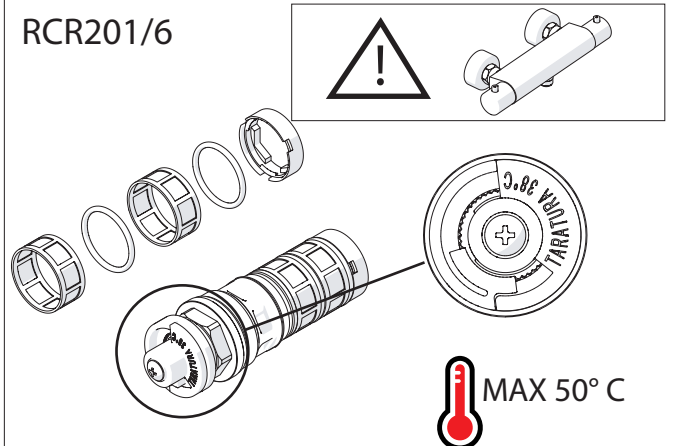


RCR201/5

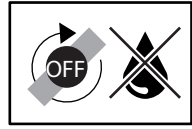
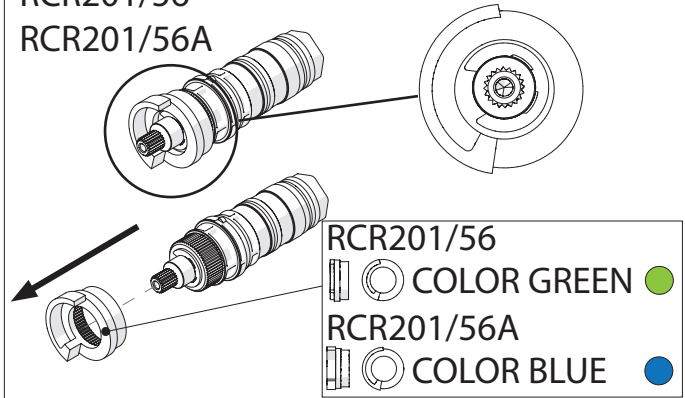


1

RCR201/6



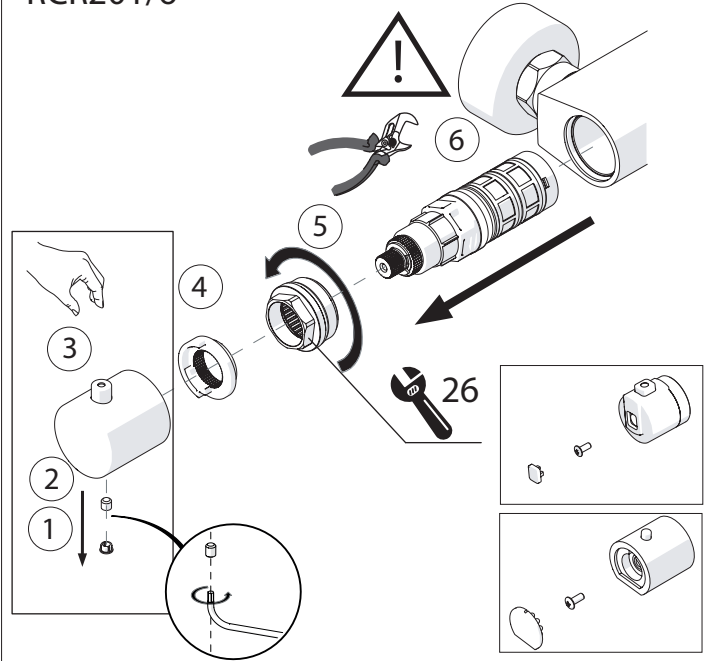
RCR201/56  
RCR201/56A



MAX 50° C

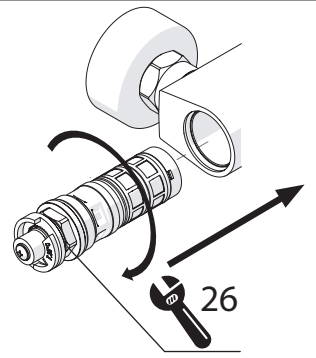
RCR201/5  
RCR201/6

2

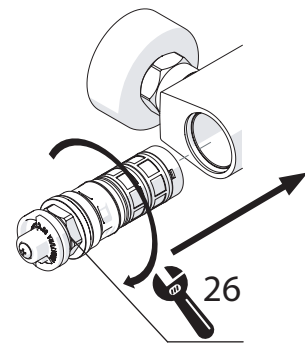


RCR201/5

3

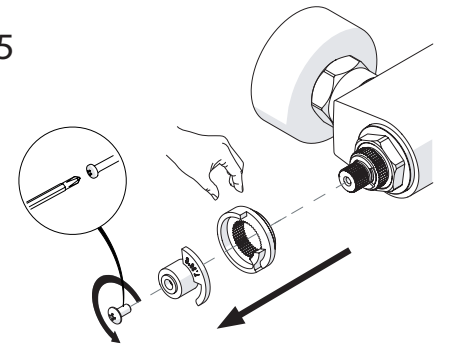


RCR201/6

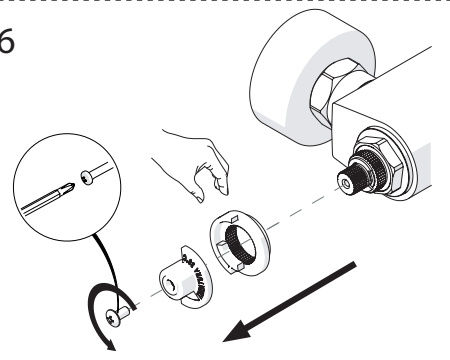


RCR201/5

4

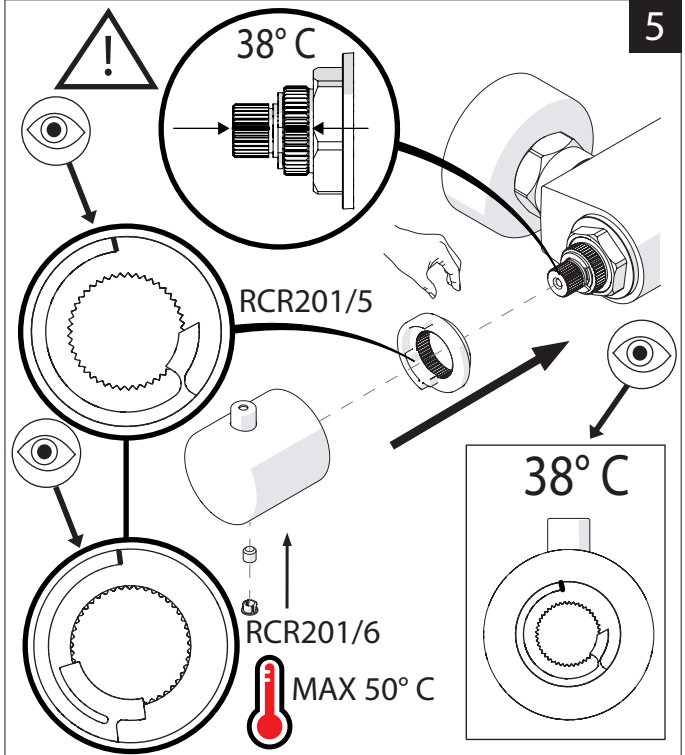


RCR201/6



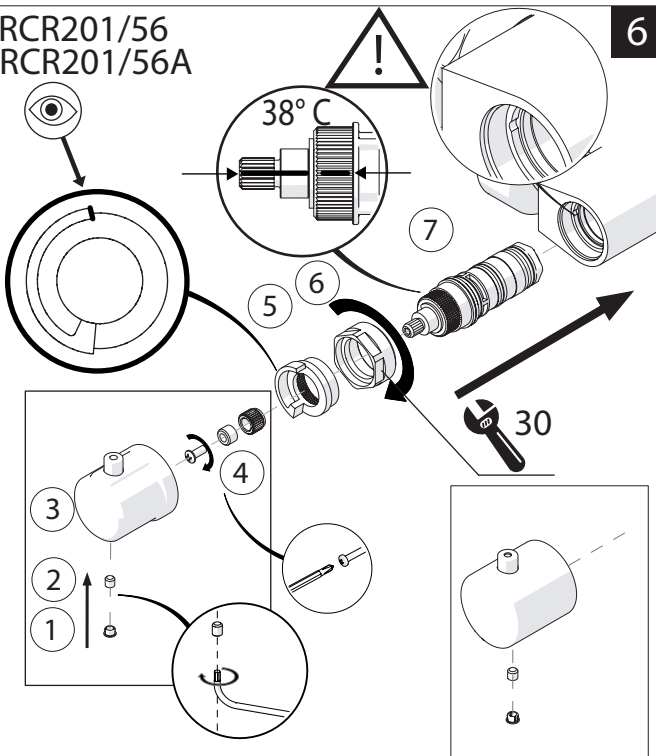
38° C

5



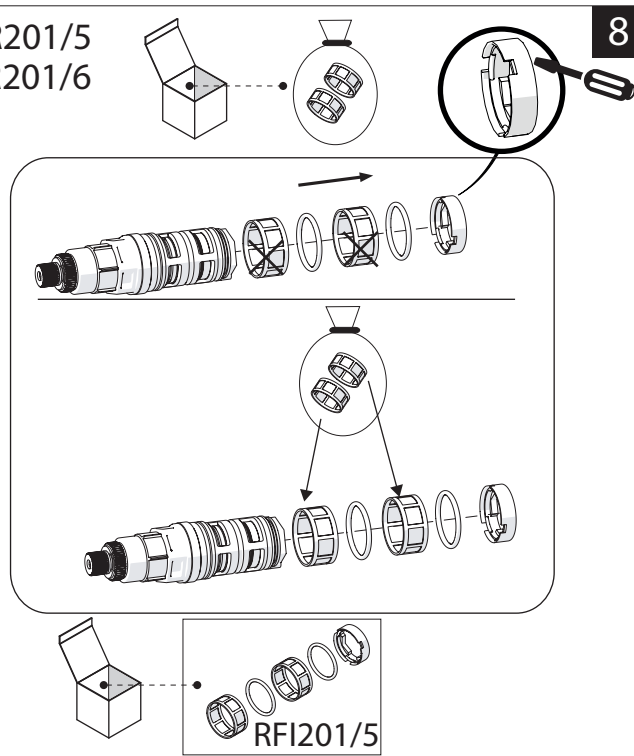
RCR201/56  
RCR201/56A

6

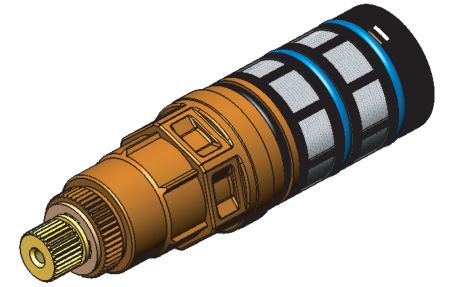


RCR201/5  
RCR201/6

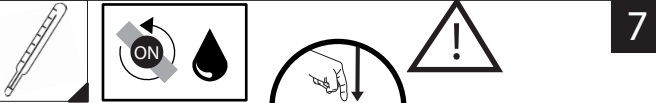
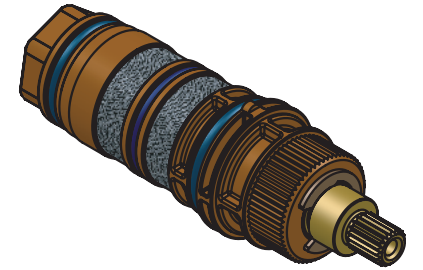
8



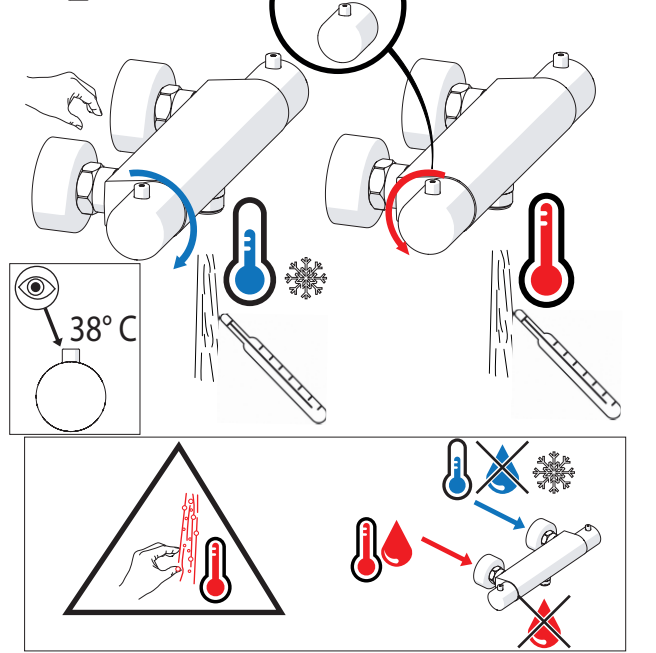
RCR201/5  
RCR201/6



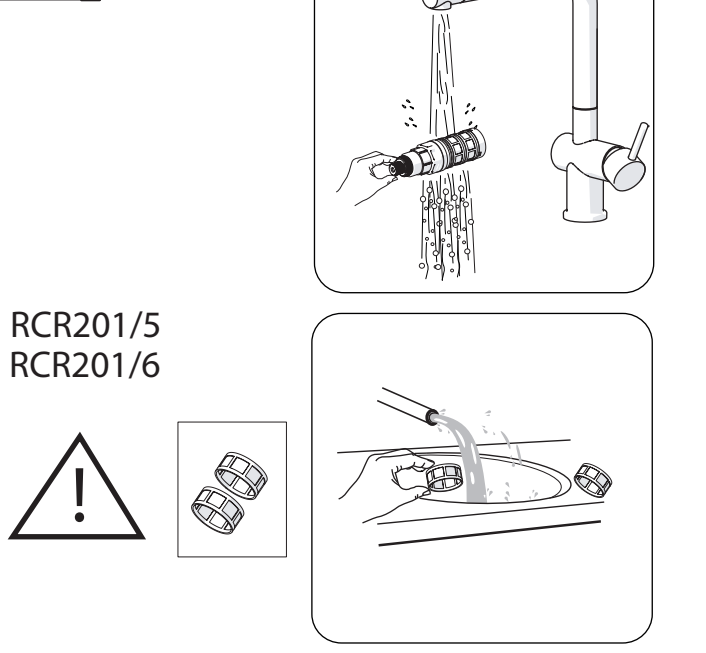
RCR201/56  
RCR201/56A



7



9

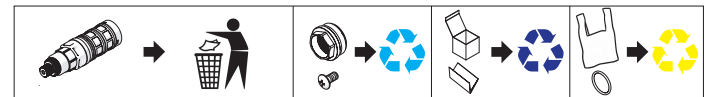


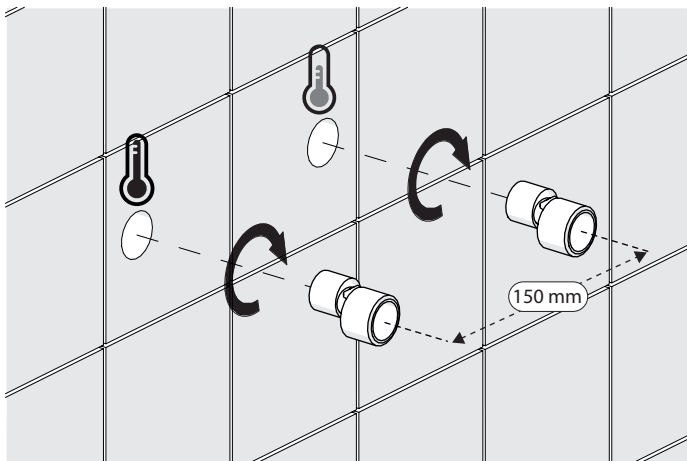
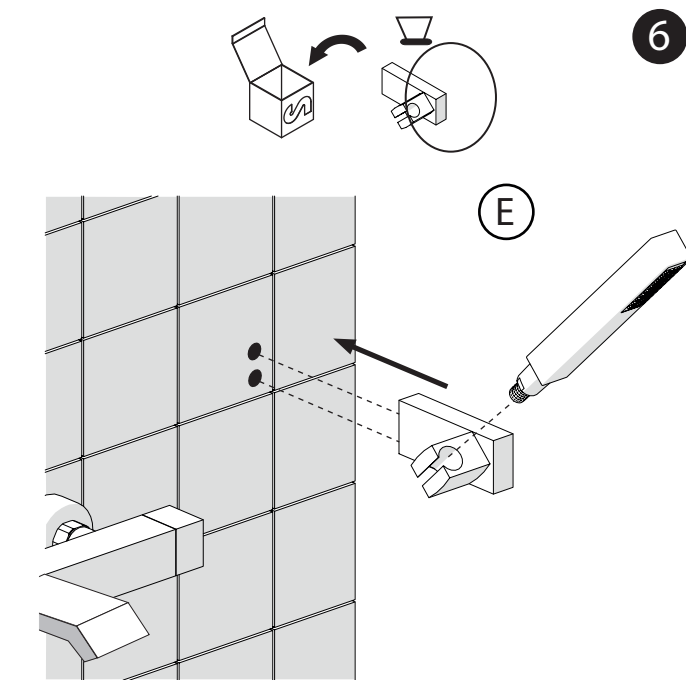
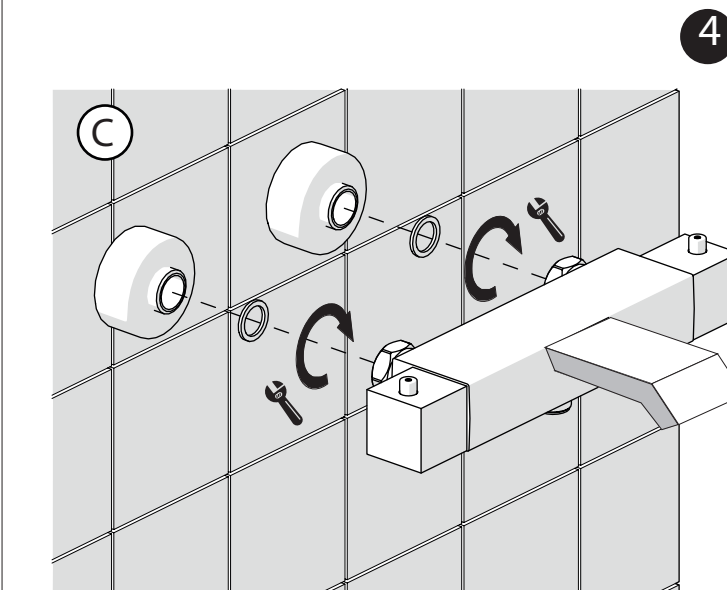
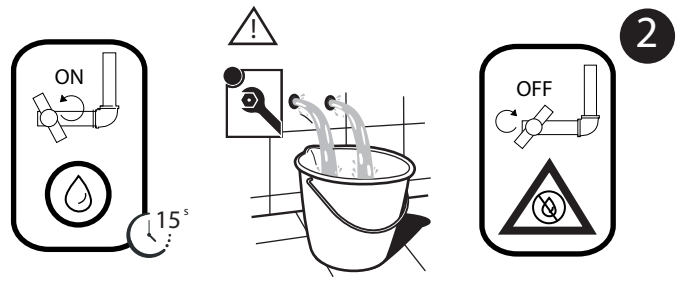
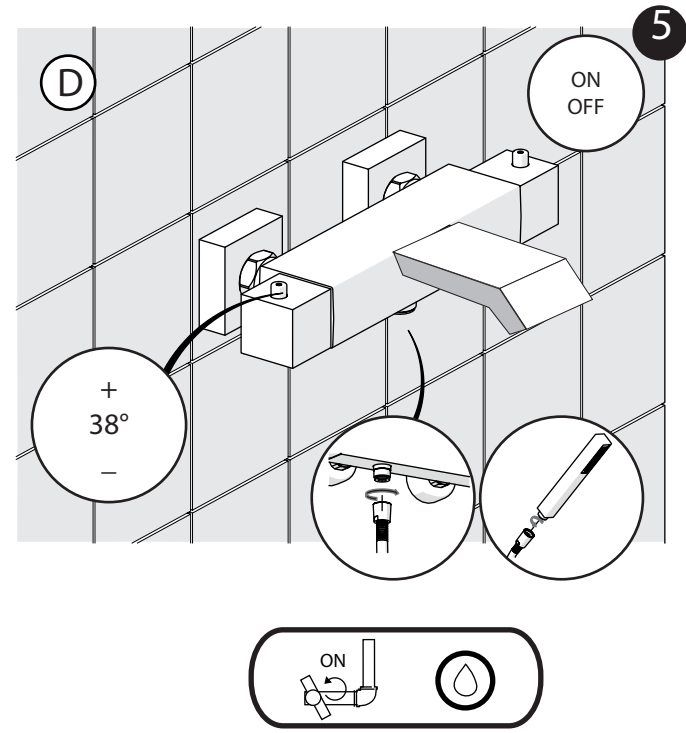
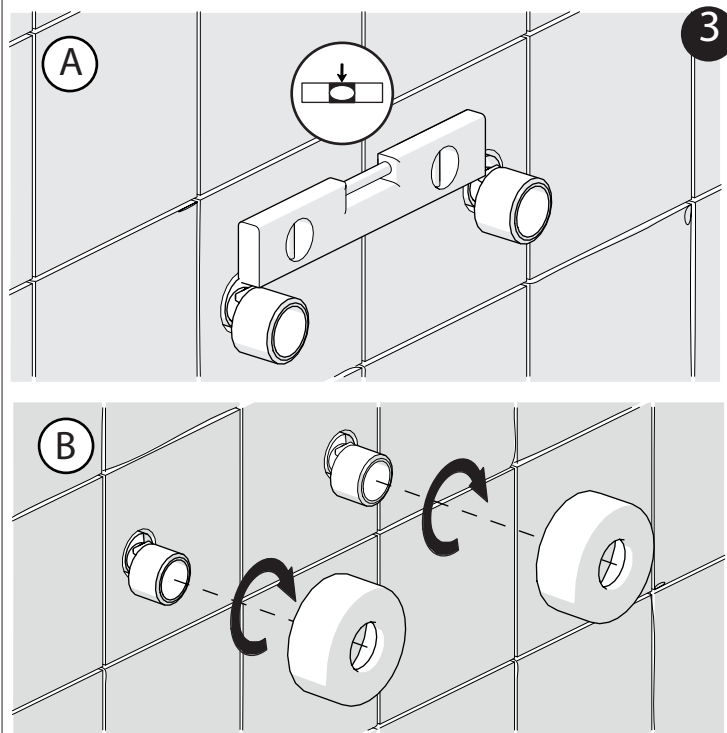
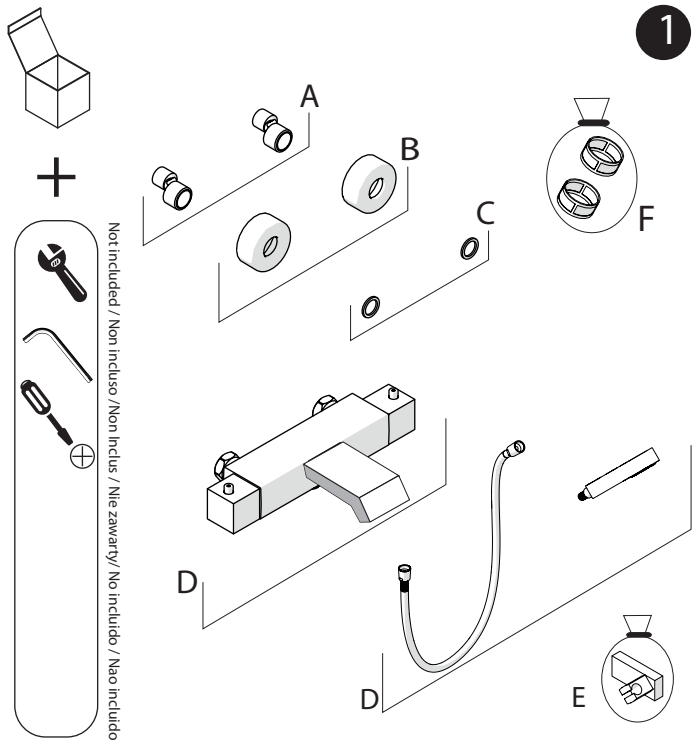
RCR201/5  
RCR201/6

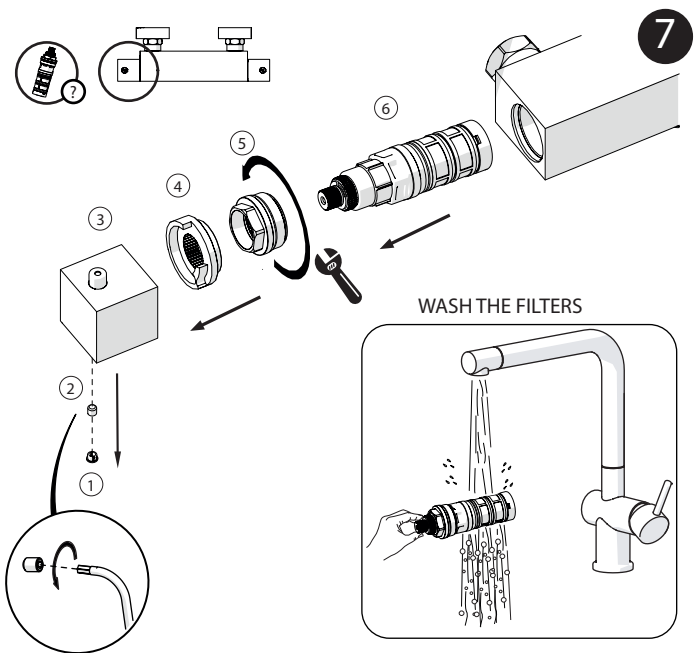


	<b>P</b> P bar	MAX 10 0,5 MIN	5 1	
--	-------------------	-------------------	--------	--

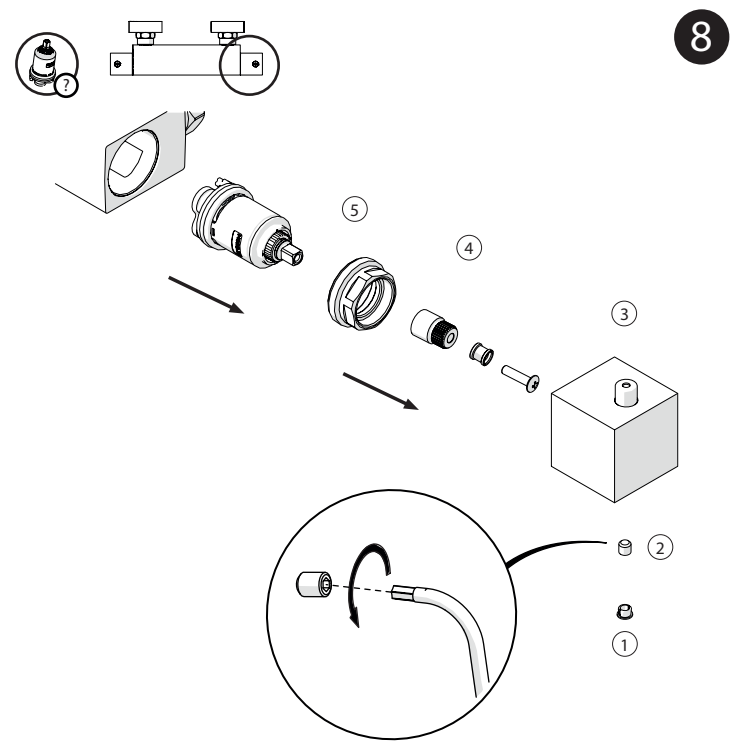
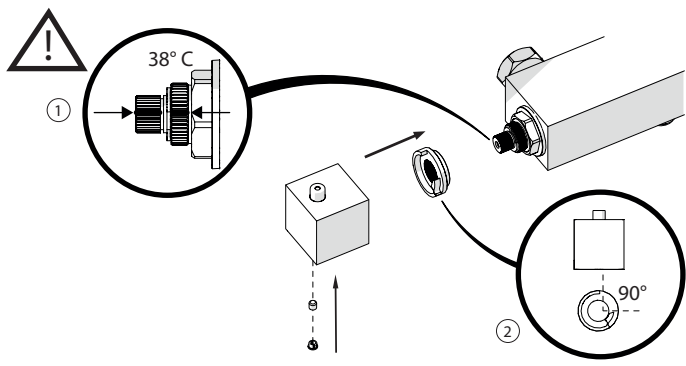
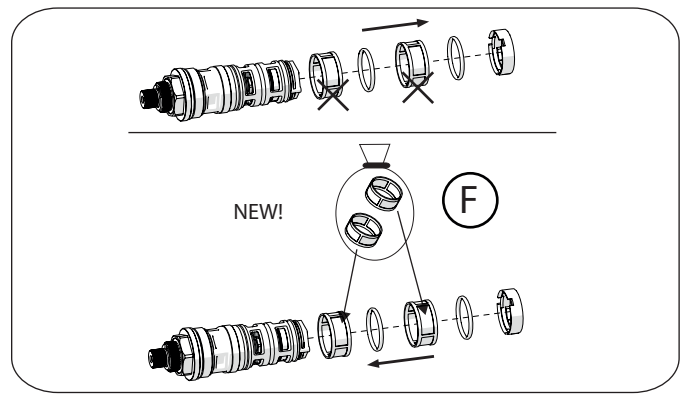
	<b>T</b> T °C	MAX 80	65 45	
--	------------------	--------	----------	--



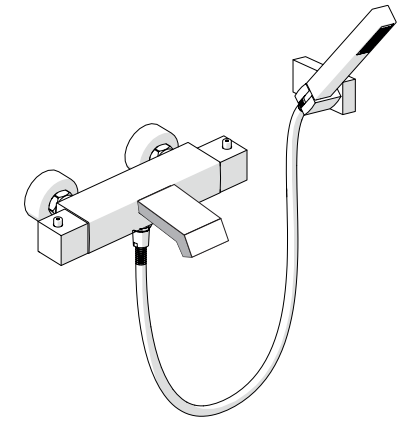
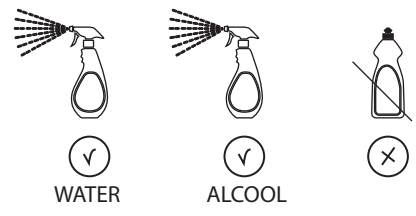
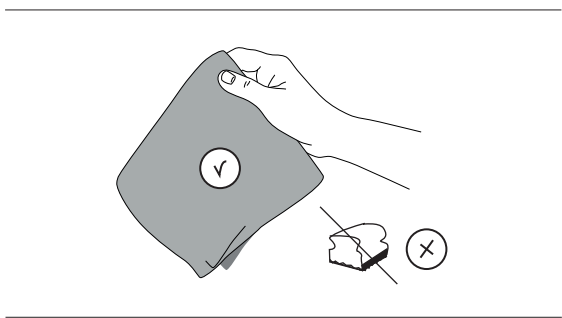




CHANGE FILTERS (spare into the box)



**CLEANING**



MI102010 SF00010 RY00010 TGQ85310  
SL00010

www.grupponobili.it

