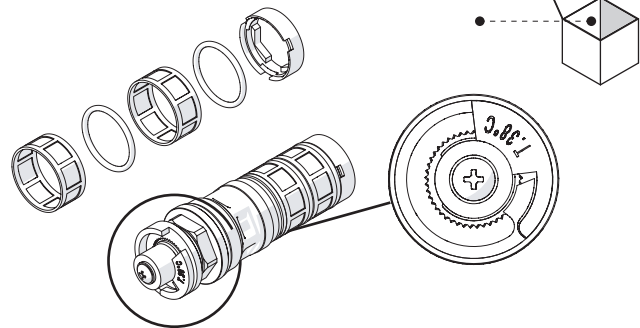
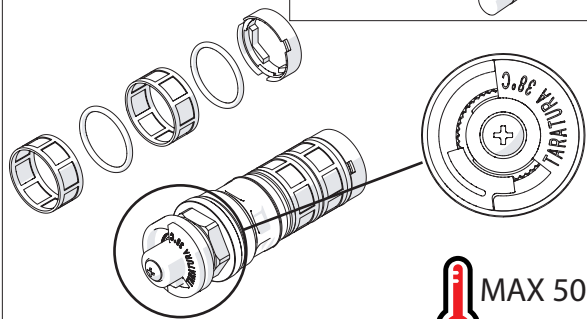
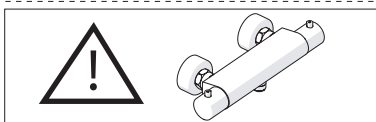


RCR201/5

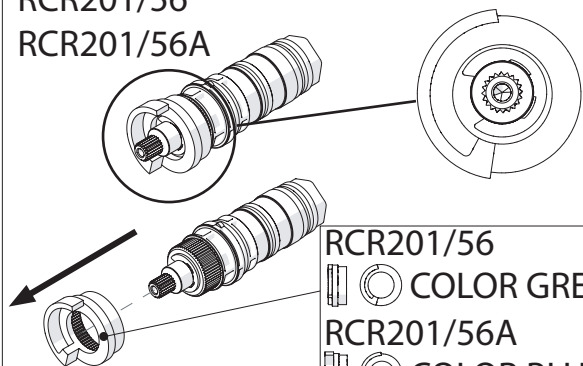


1

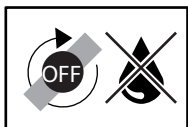
RCR201/6



RCR201/56
RCR201/56A

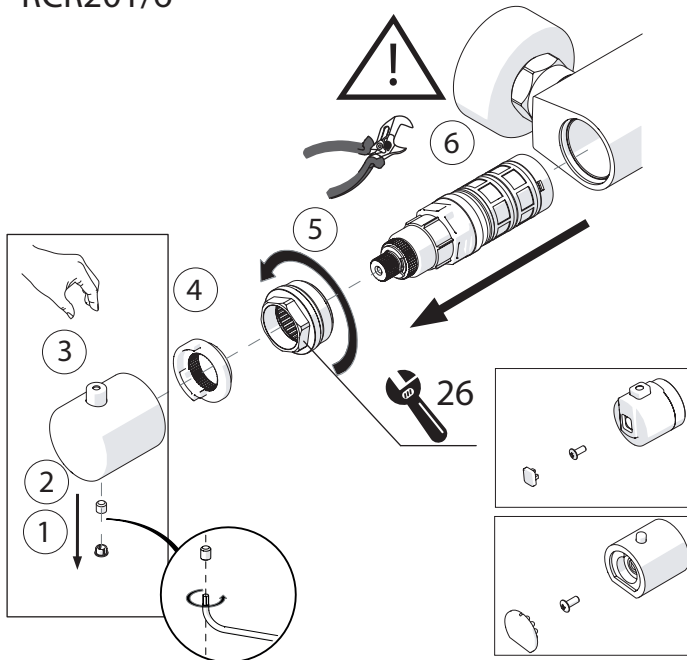


- RCR201/56
- 
 COLOR GREEN
- 
 COLOR BLUE



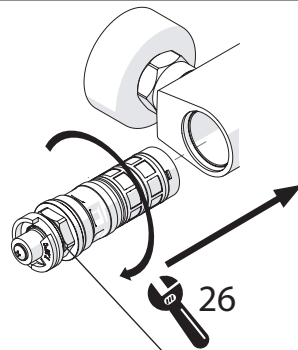
RCR201/5
RCR201/6

2

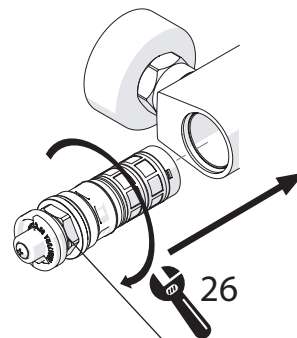


RCR201/5

3

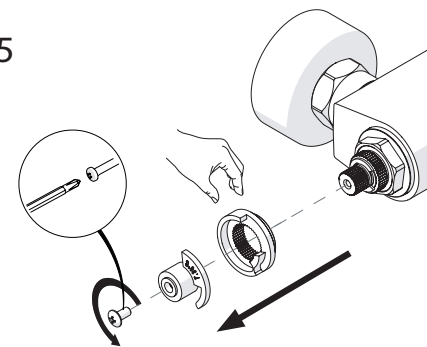


RCR201/6

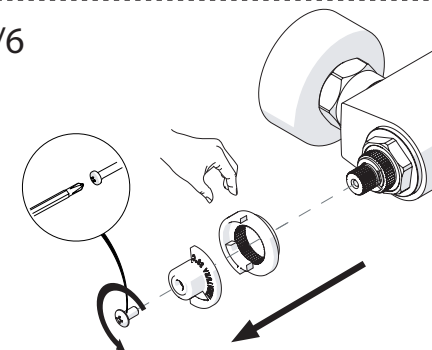


RCR201/5

4

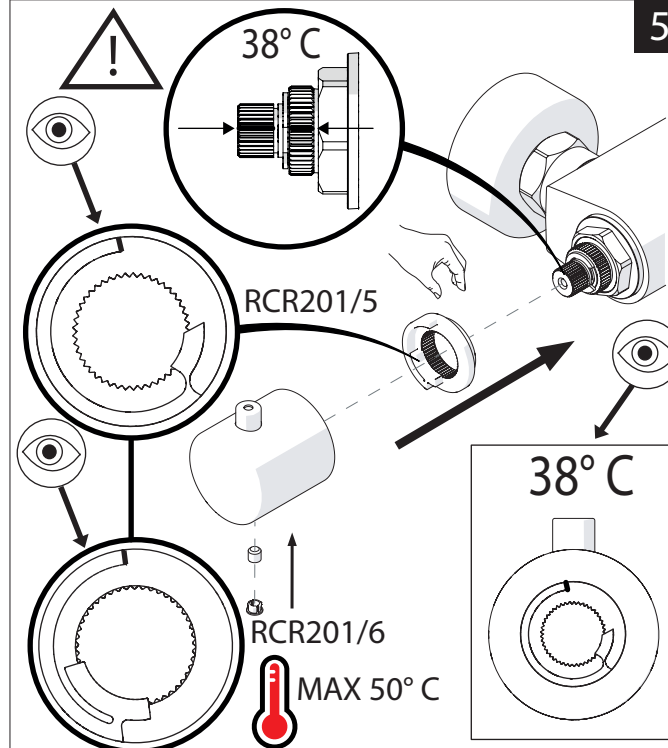


RCR201/6



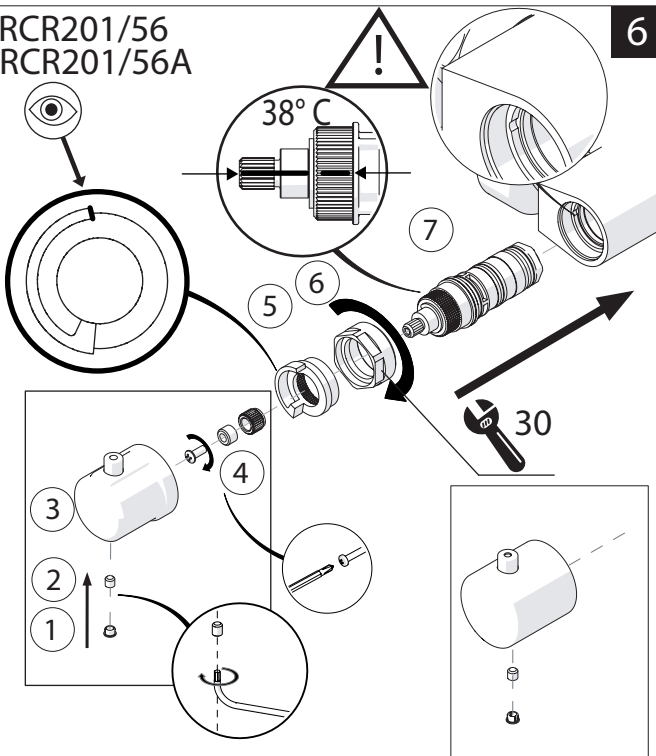
RCR201/5

5



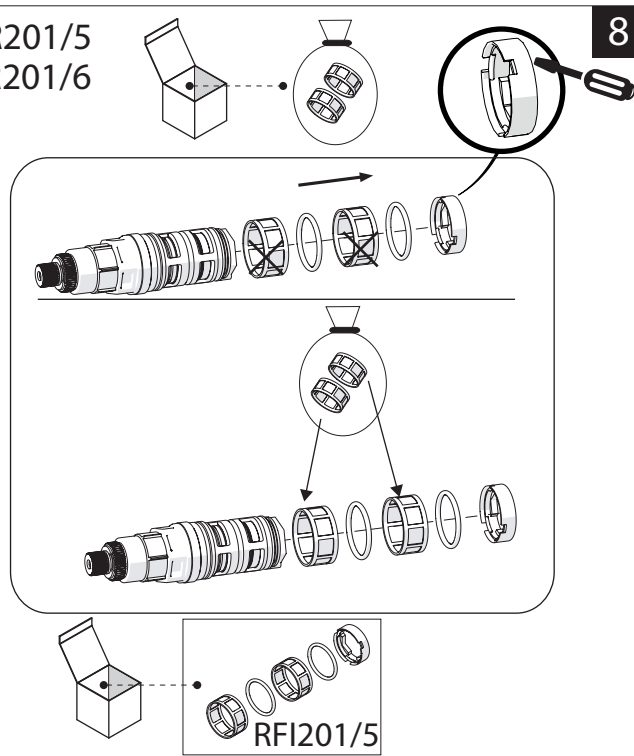
RCR201/56
RCR201/56A

6

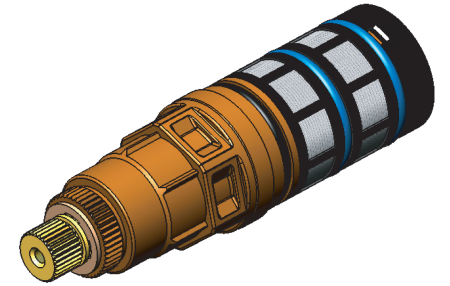


RCR201/5
RCR201/6

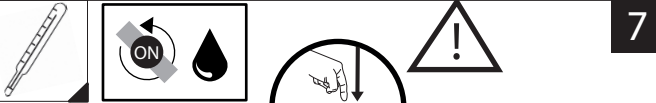
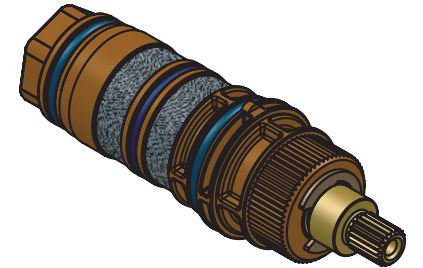
8



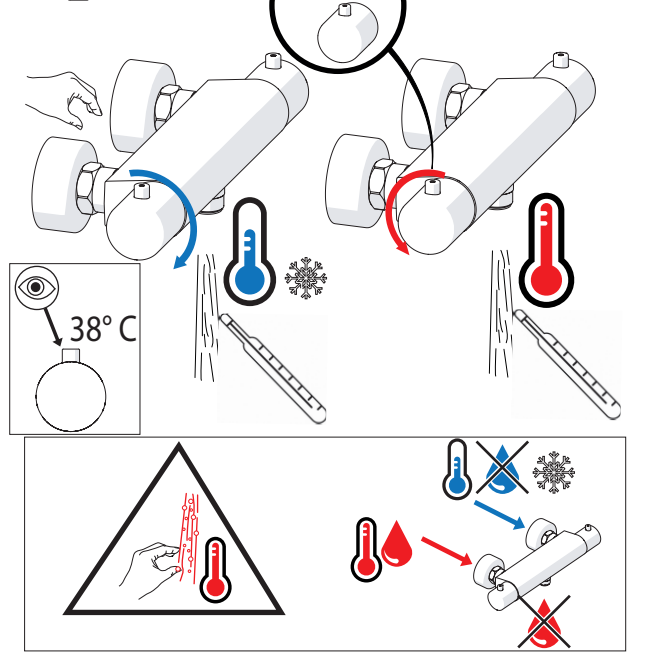
RCR201/5
RCR201/6



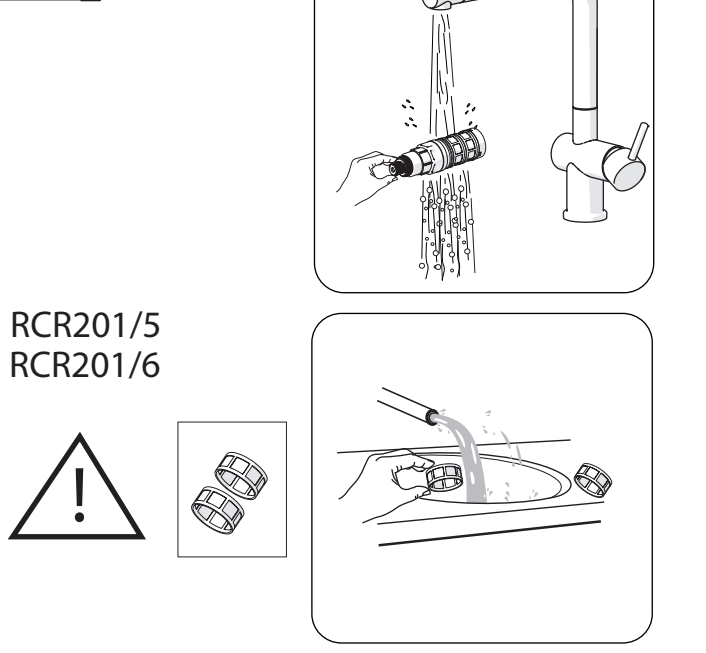
RCR201/56
RCR201/56A



7



9

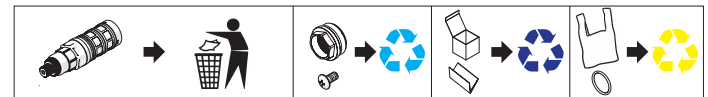


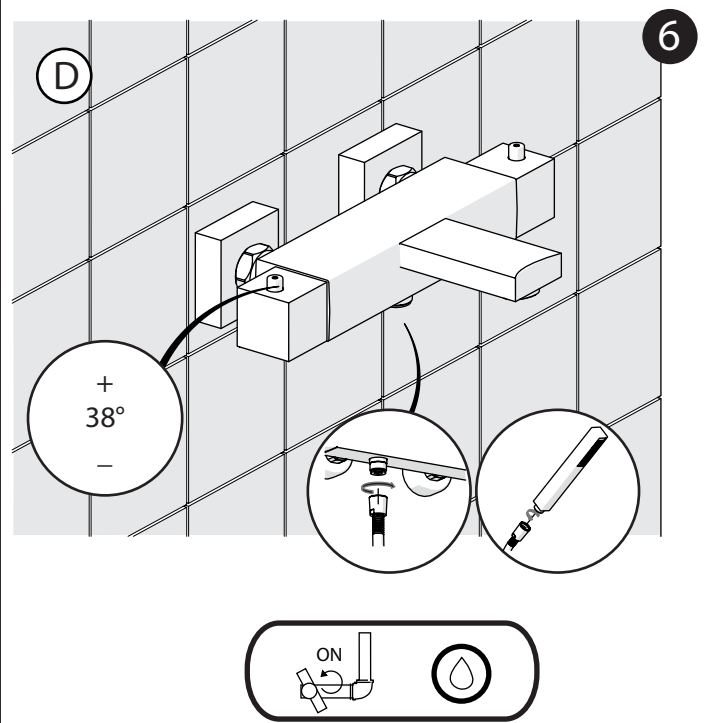
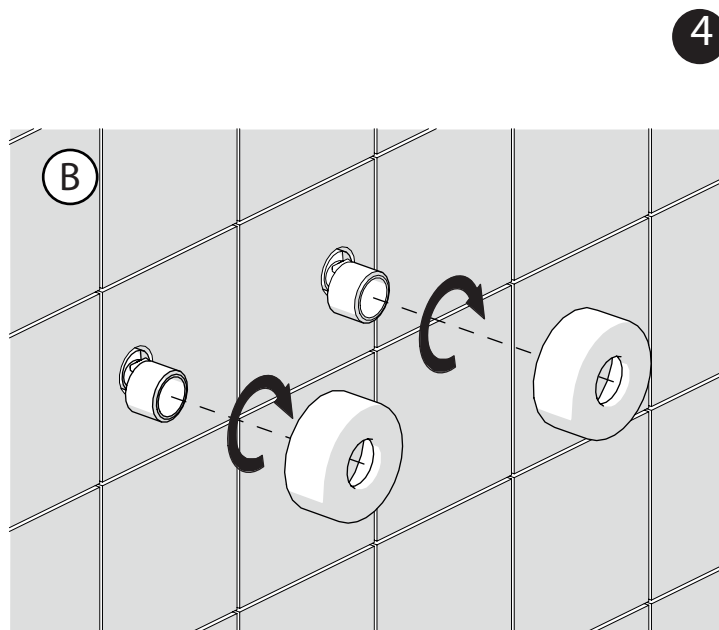
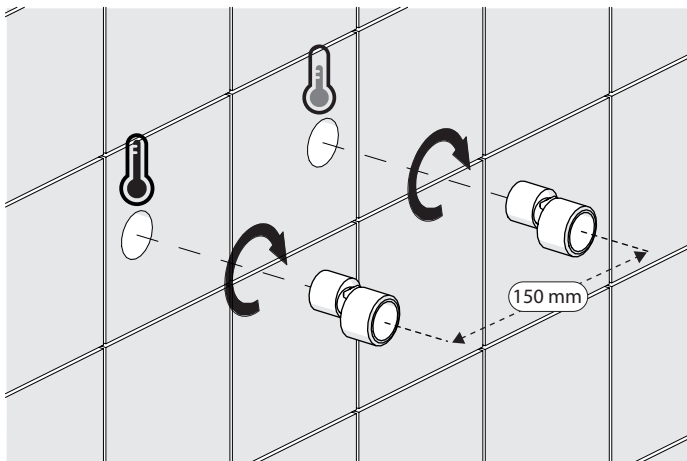
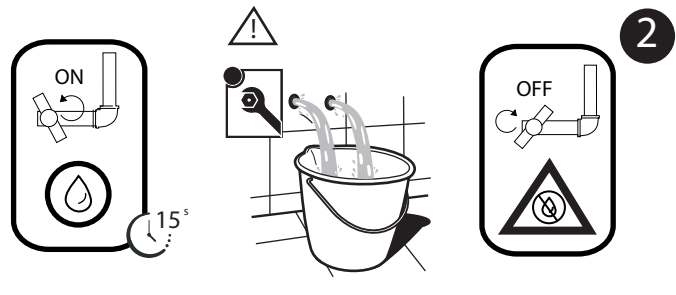
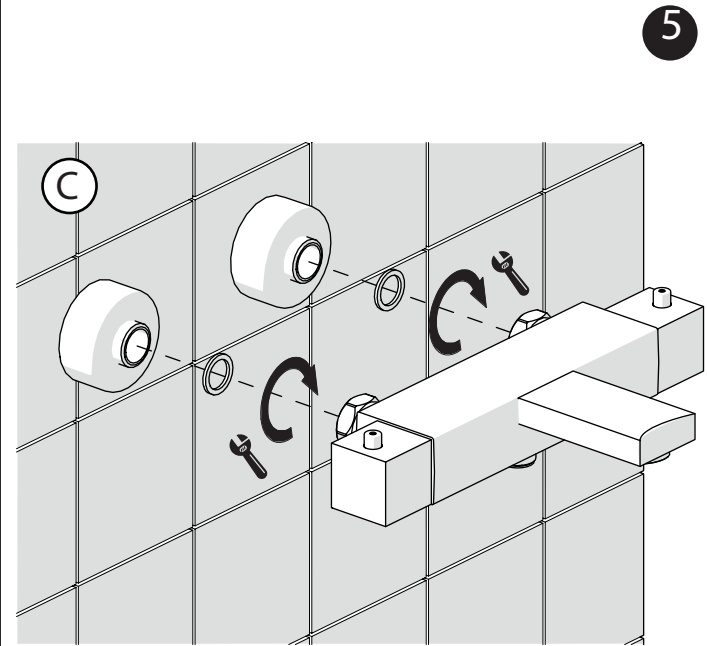
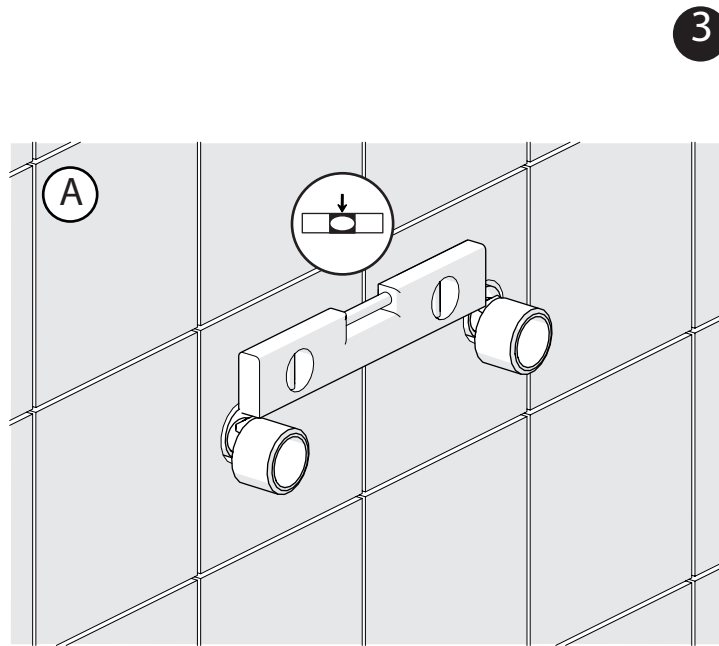
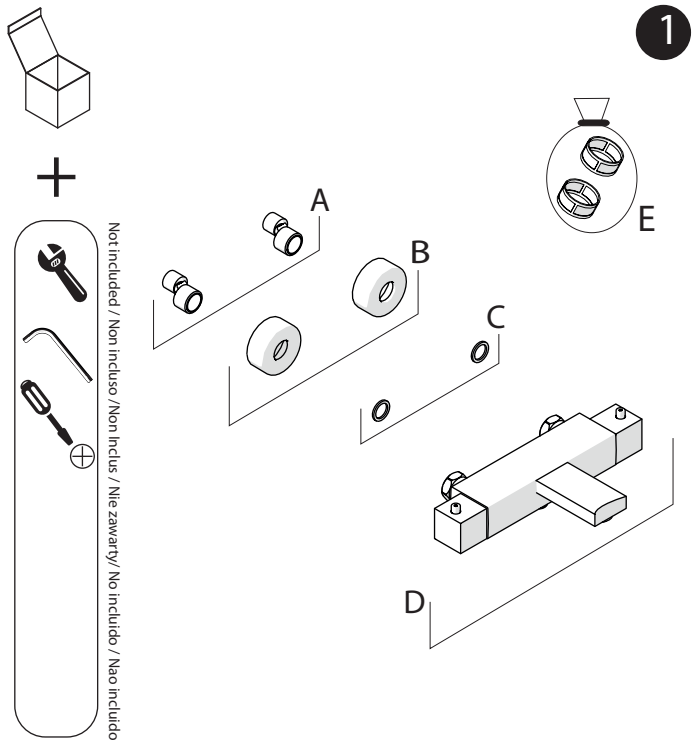
RCR201/5
RCR201/6

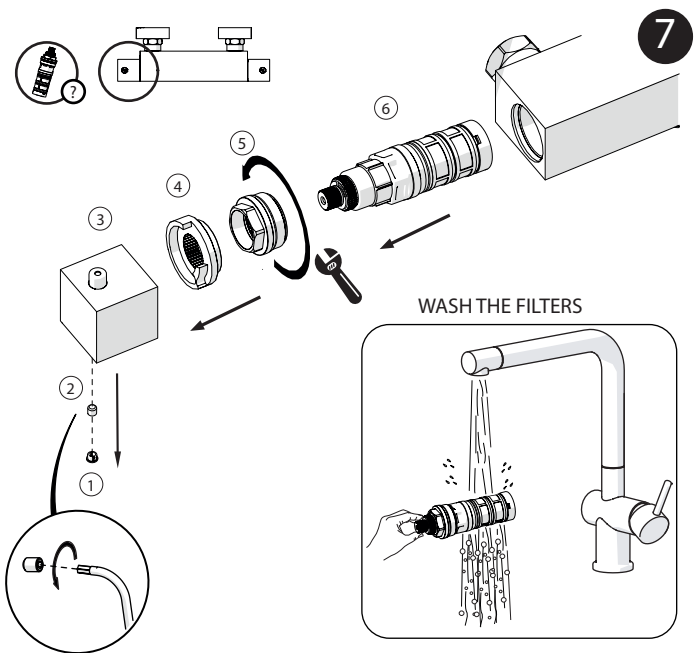


	P P bar	MAX 10 0,5 MIN	5 1	
--	-------------------	-------------------	--------	--

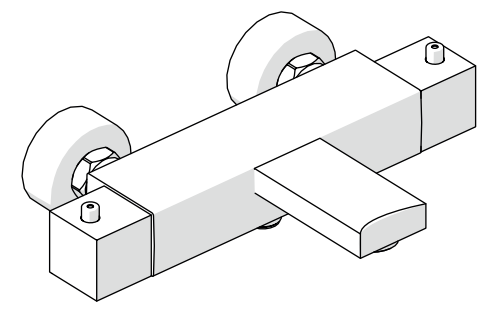
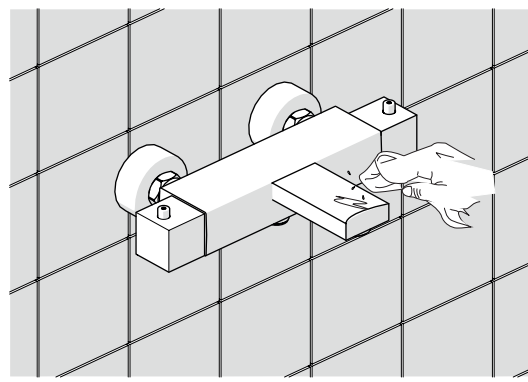
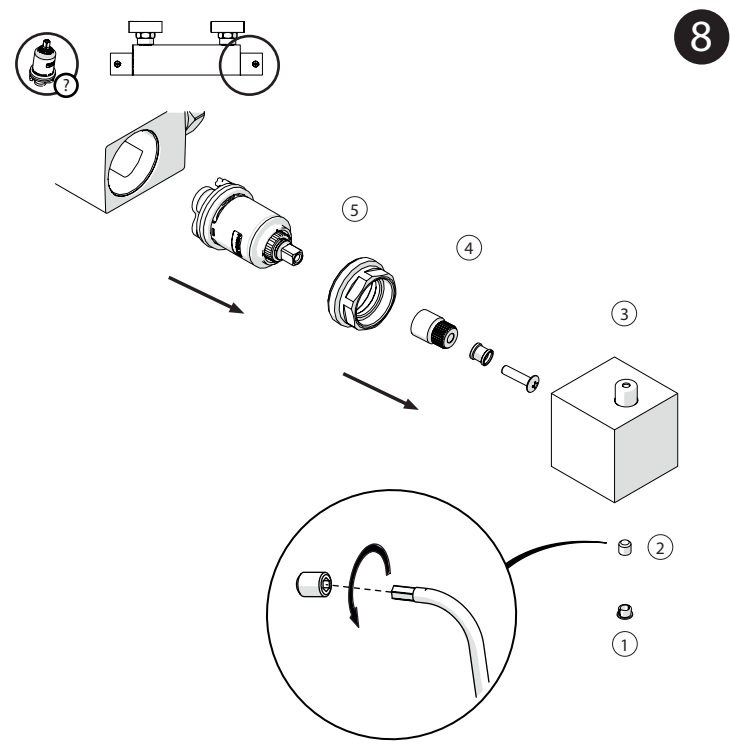
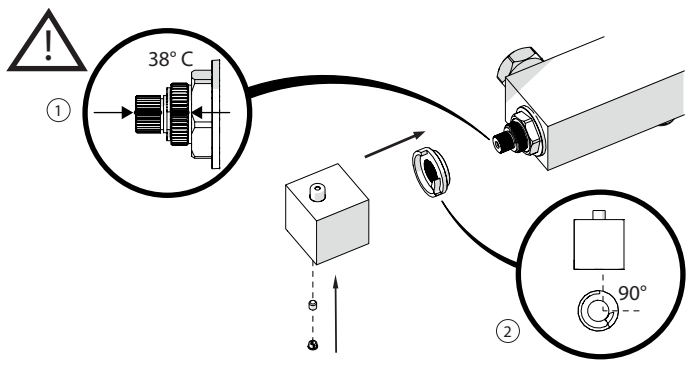
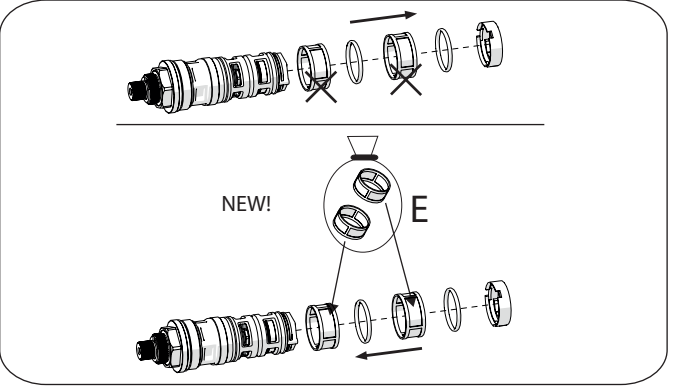
	T T °C	MAX 80	65 45	
--	------------------	--------	----------	--







CHANGE FILTERS (spare into the box)



- MI102010/1
- SF00010/1
- RY00010/1
- TGQ85310/1
- SL00010/1

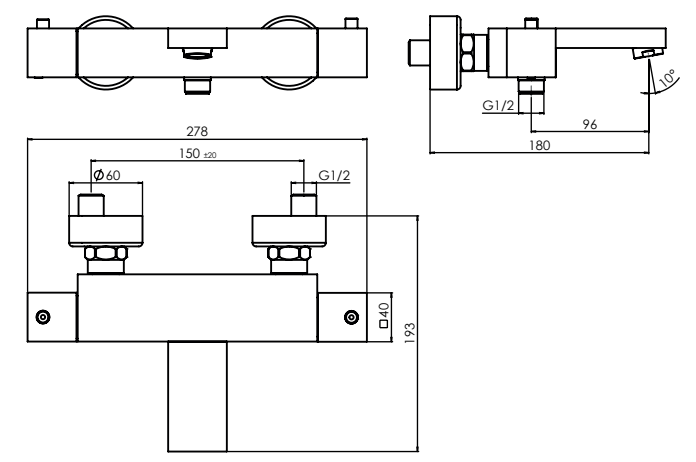
IISTRSF00010_1#---STD



www.grupponobili.it

REV1.03/2014

9



P P bar 0.5 MIN. MAX 10 5 T T ∞C MAX -80 -65 -45