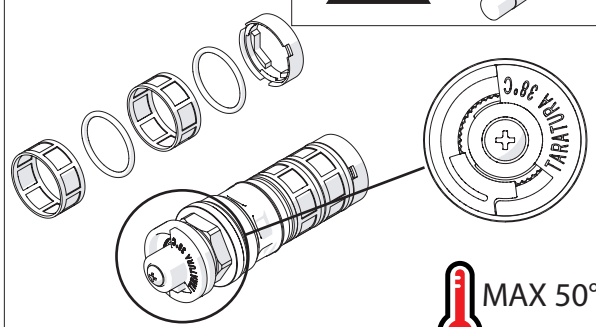
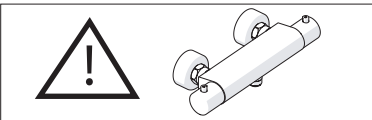


RCR201/5



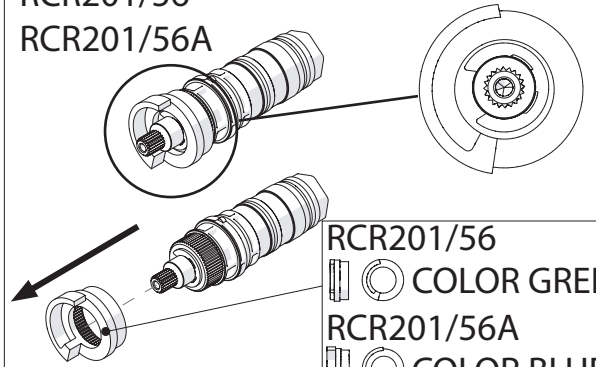
1

RCR201/6

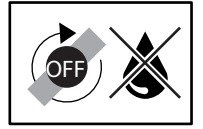


MAX 50° C

RCR201/56
RCR201/56A

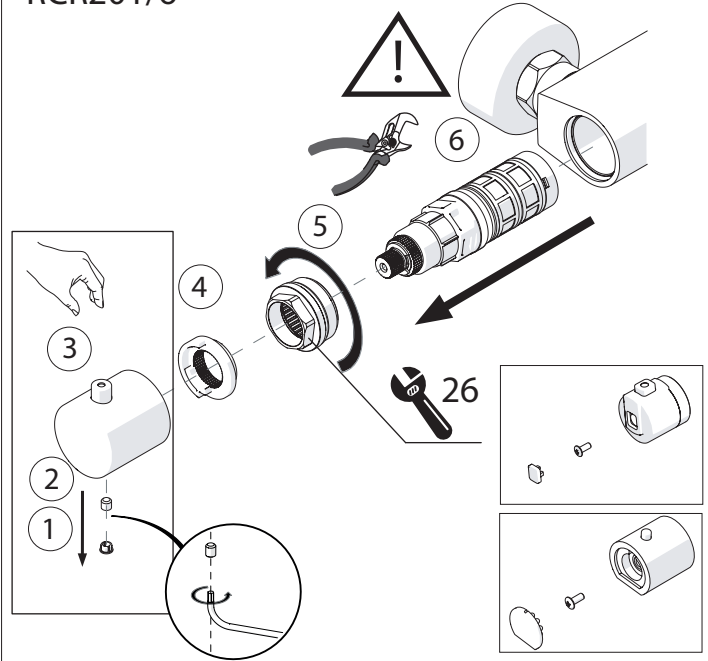


RCR201/56
 COLOR GREEN ●
 RCR201/56A
 COLOR BLUE ●



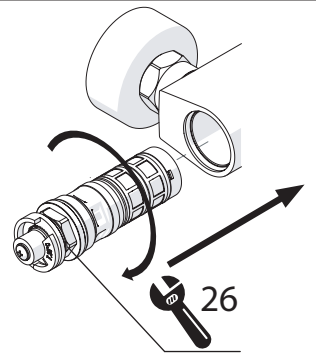
RCR201/5
RCR201/6

2

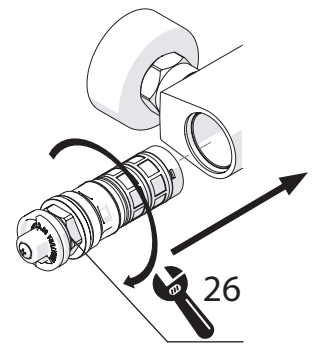


RCR201/5

3

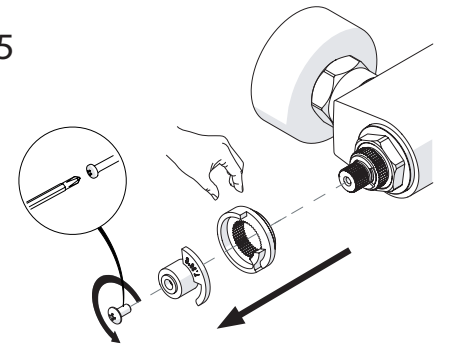


RCR201/6

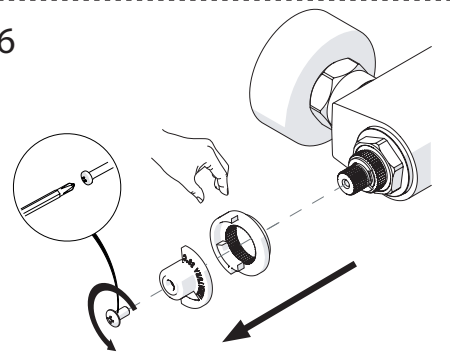


RCR201/5

4

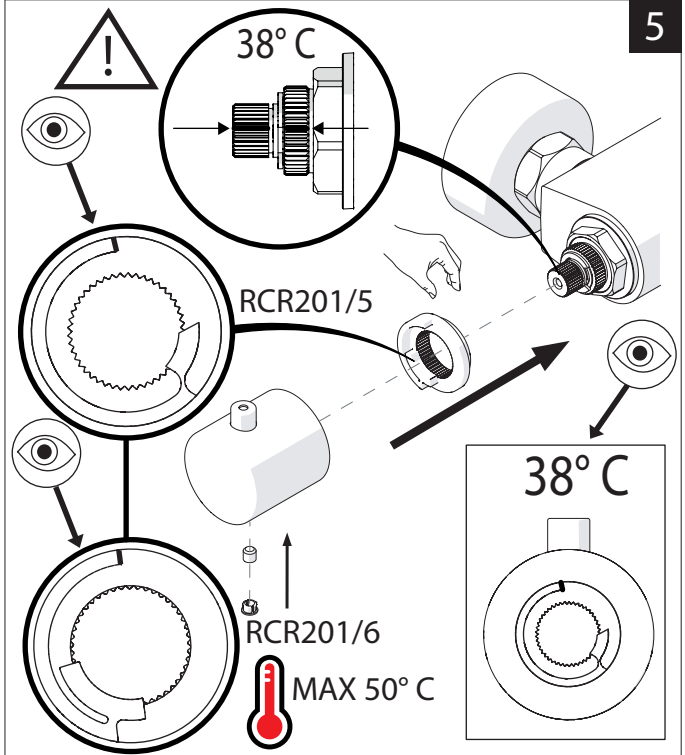


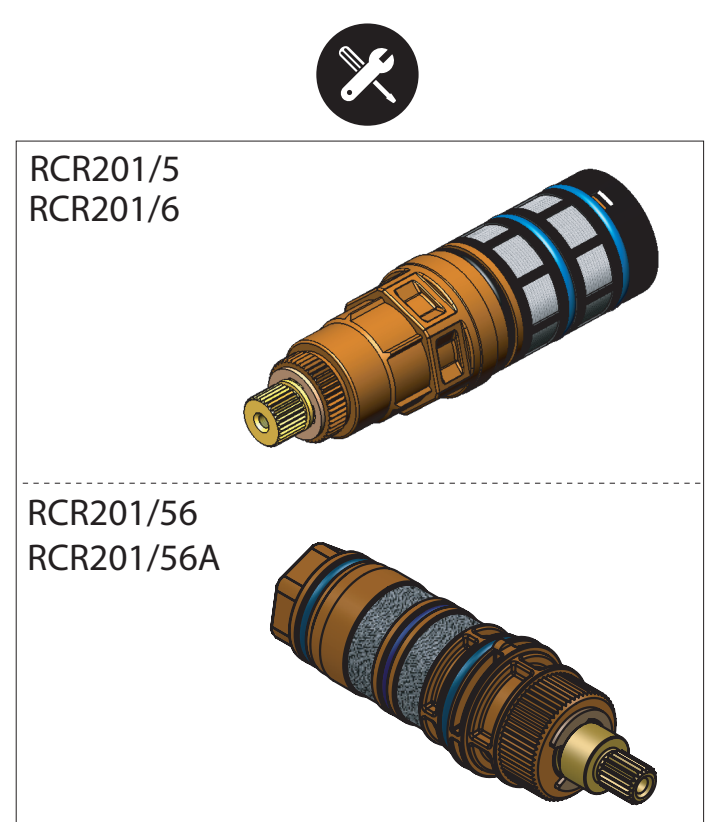
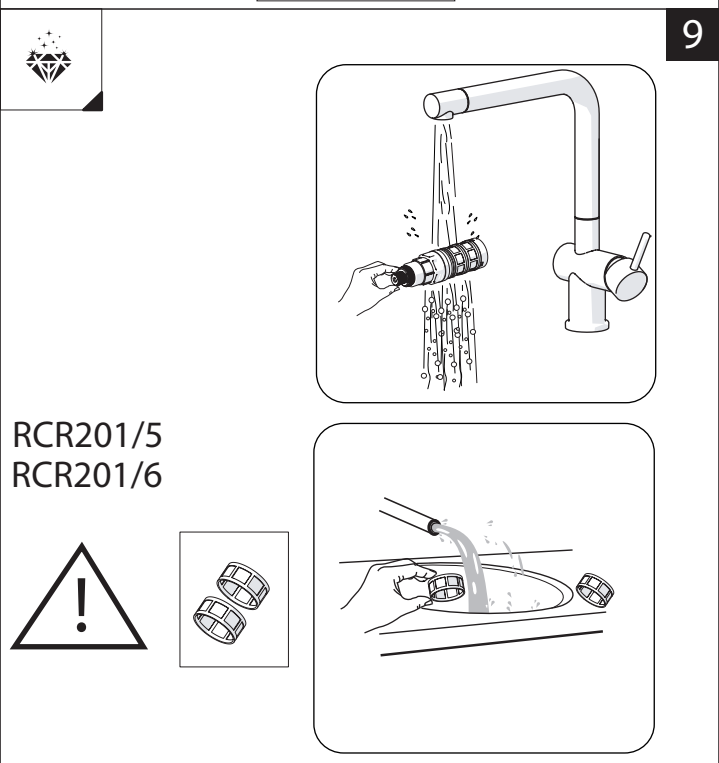
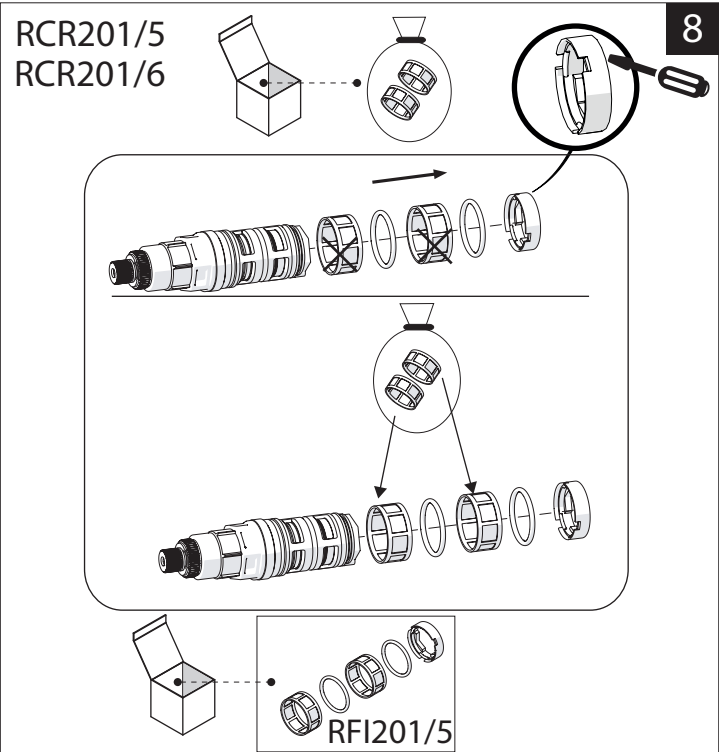
RCR201/6



RCR201/5

5

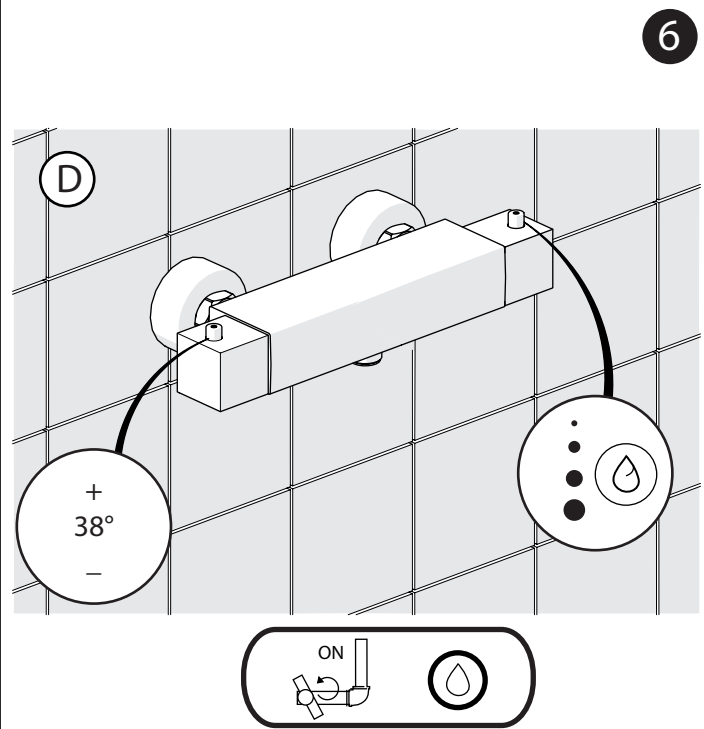
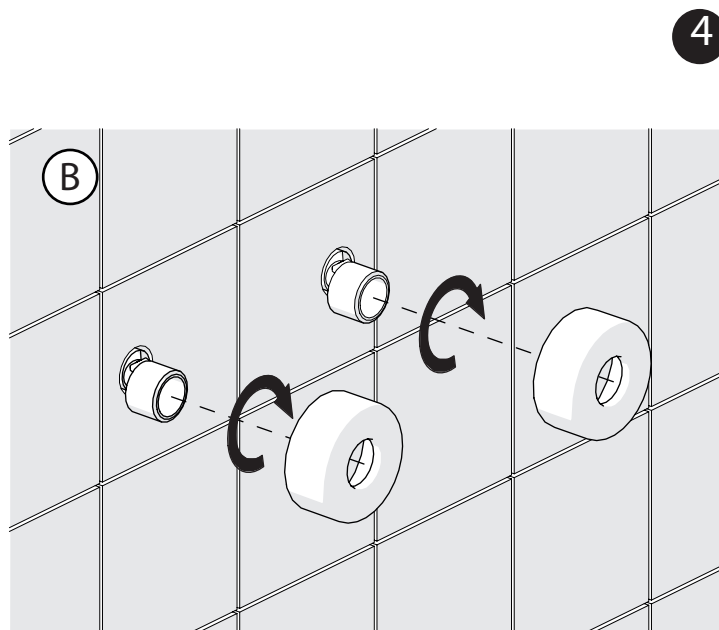
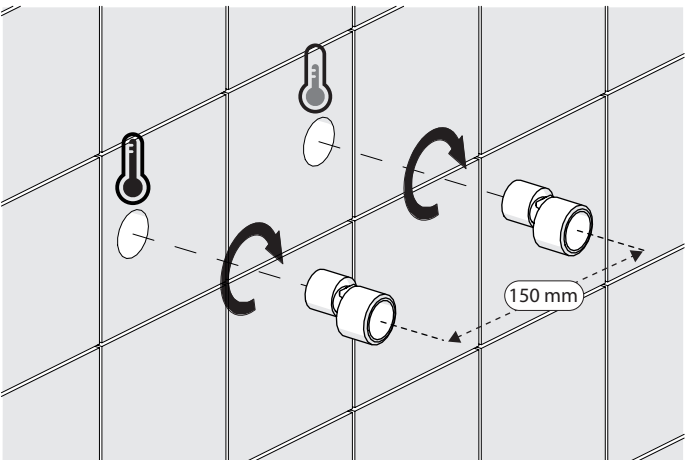
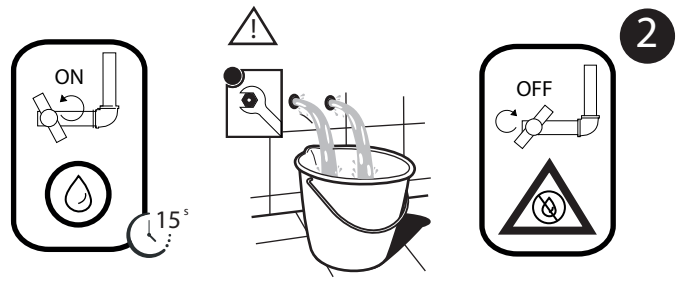
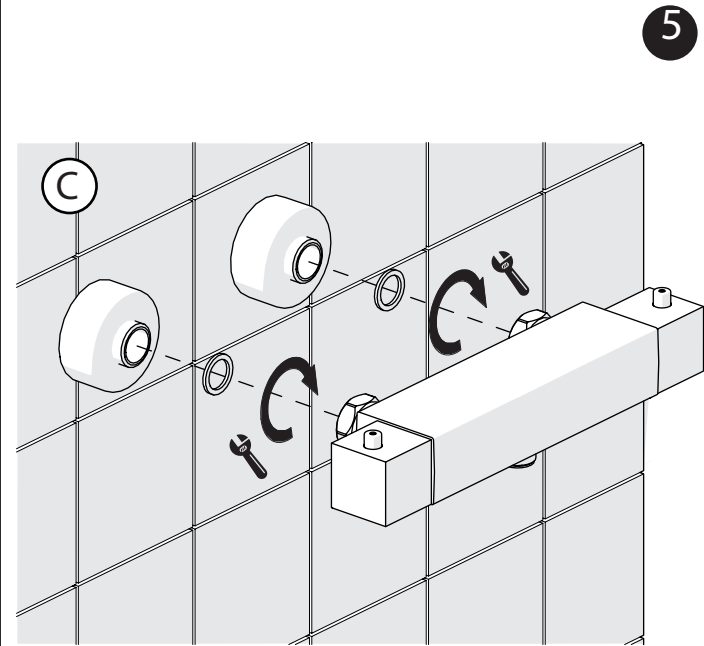
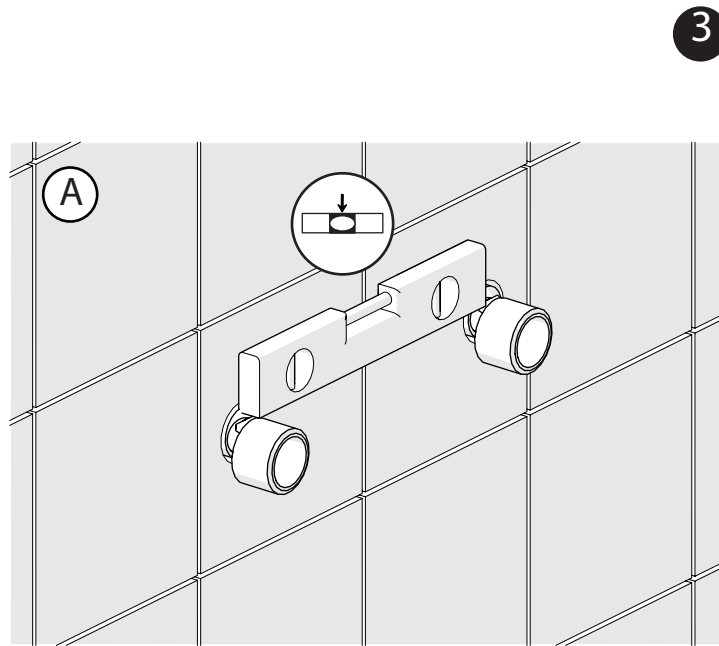
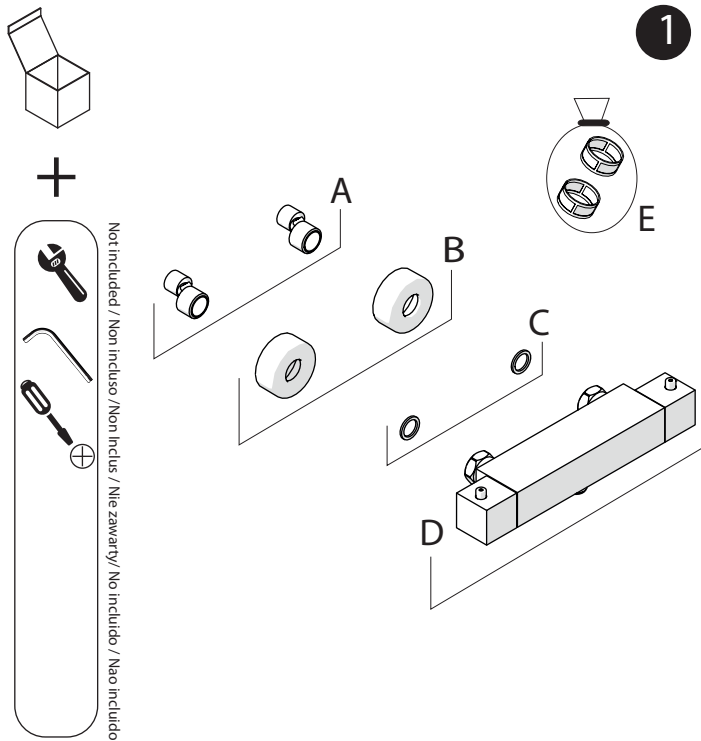


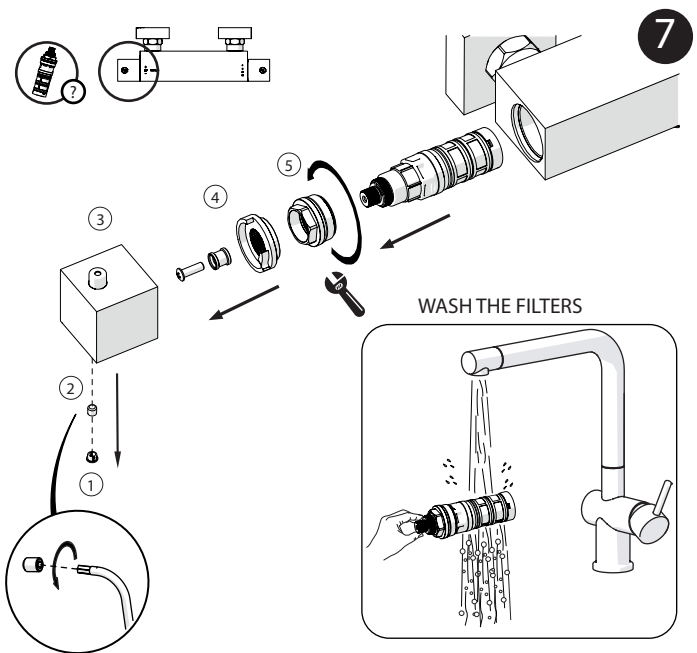


38

	P P bar	MAX 10 0,5 MIN	5 1	
	T T °C	MAX 80	65 45	

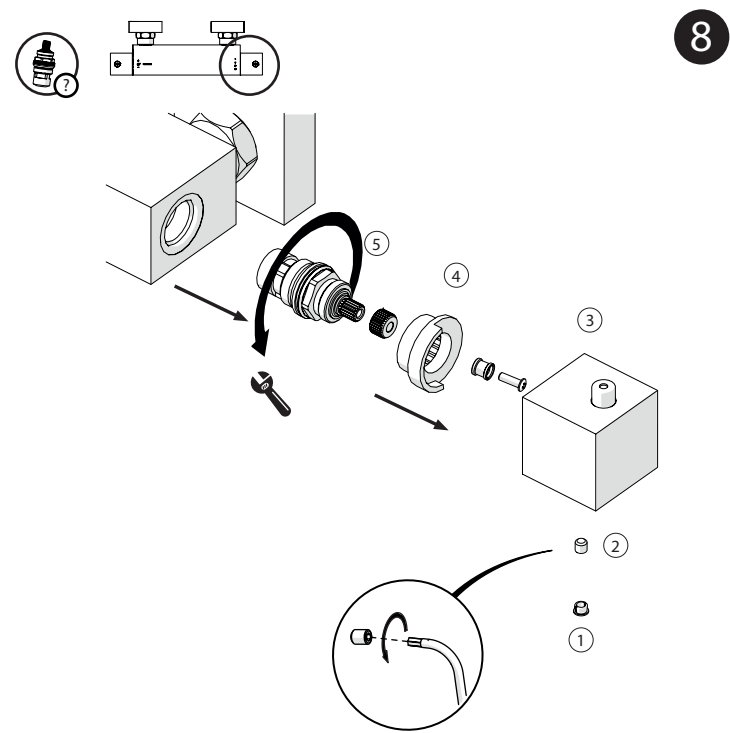
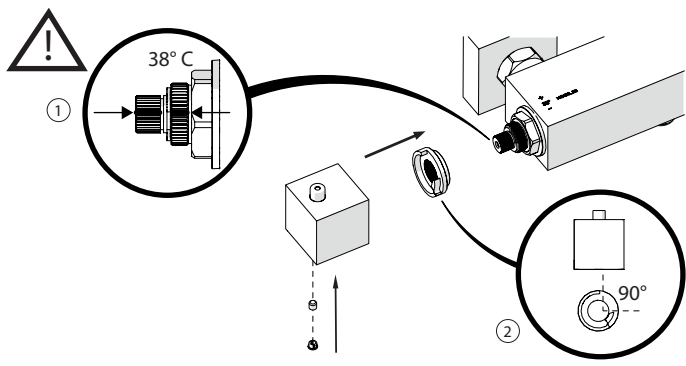
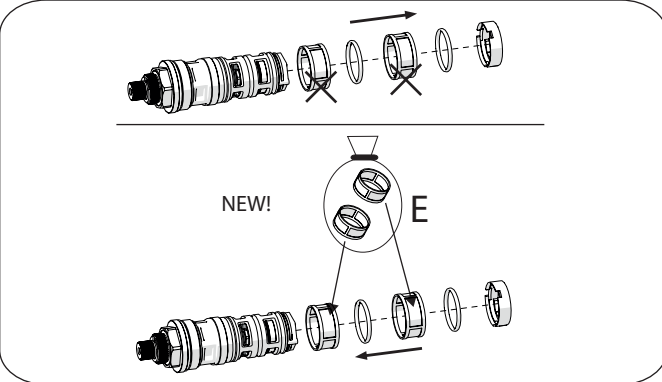
IISTR00201/5#--NEU REV2.12/2019



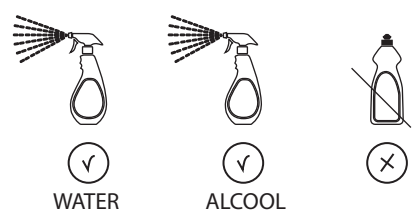
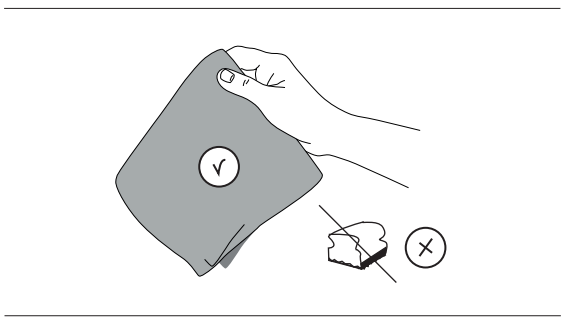


WASH THE FILTERS

CHANGE FILTERS (spare into the box)



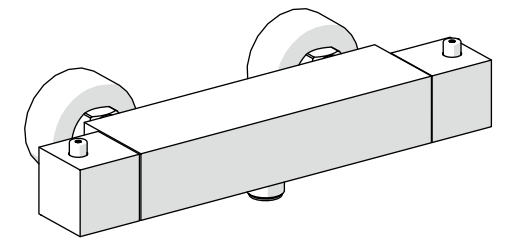
CLEANING



IISTRSF00030#--STD

NOBILIS®
The Best Technology for Water

REV1.03/2014

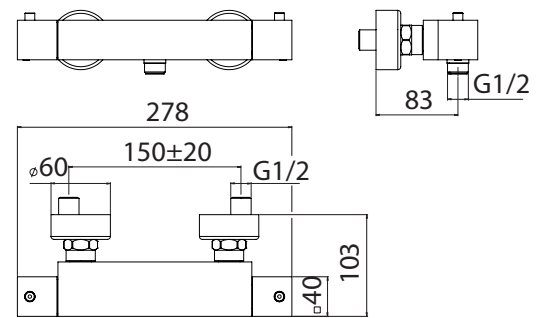


- MI102030
- SF00030
- RY00030
- TGQ85330
- SL00030



www.grupponobili.it

9



P | P bar | 0.5 MIN. |
 MAX 10 | 5 |
 T | T ∞C |
 MAX 80 |
 65 45