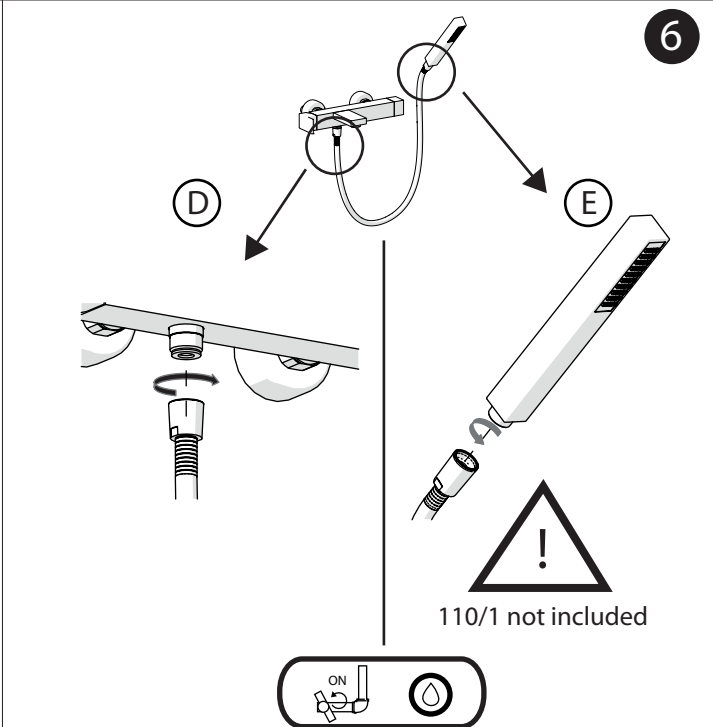
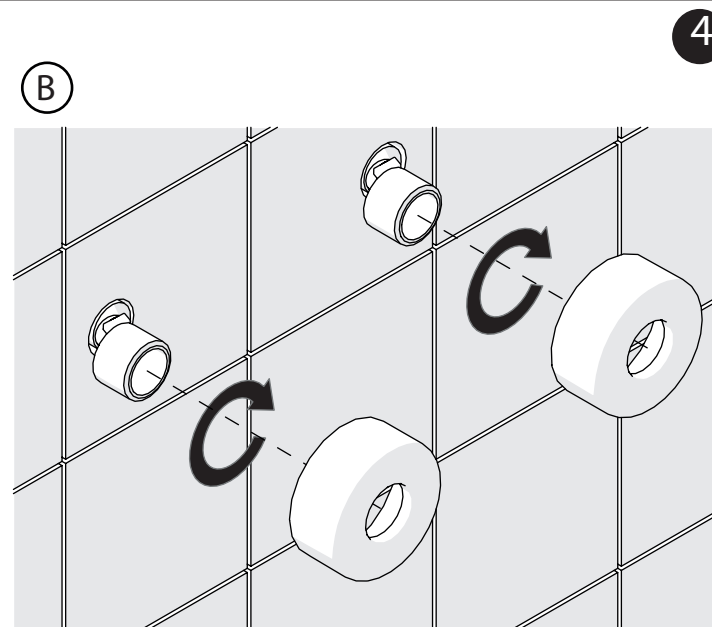
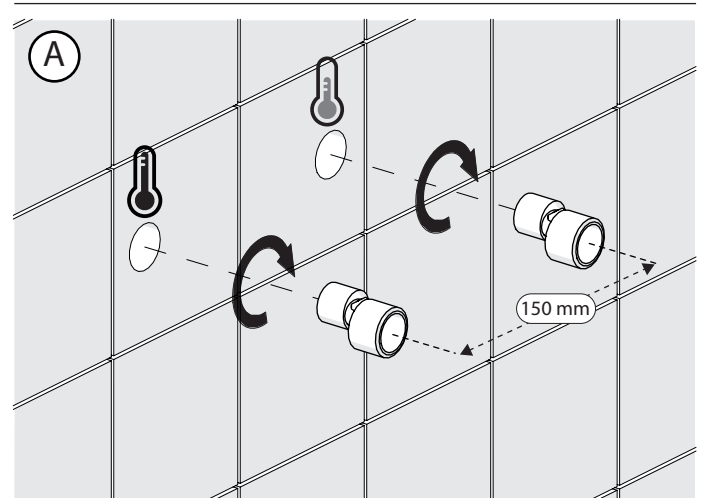
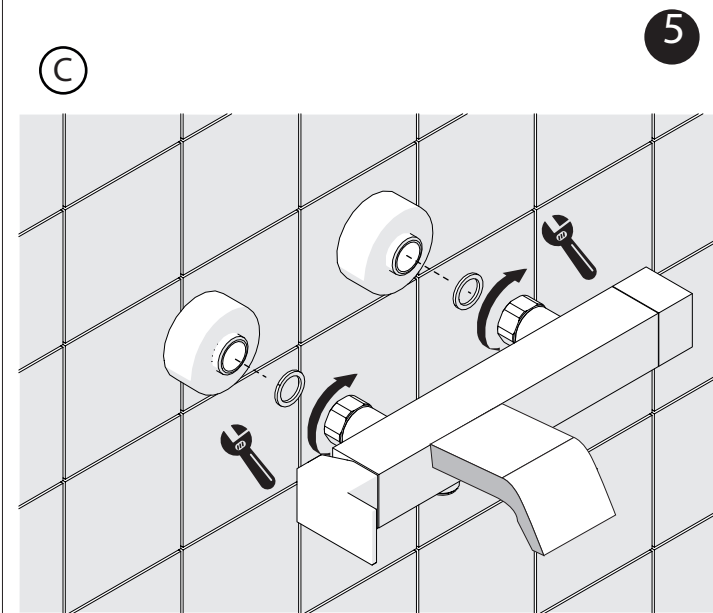
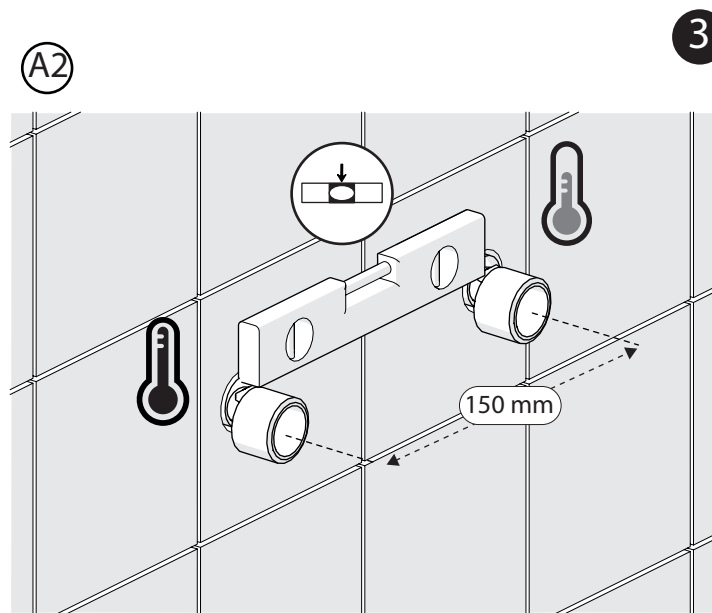
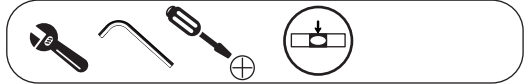
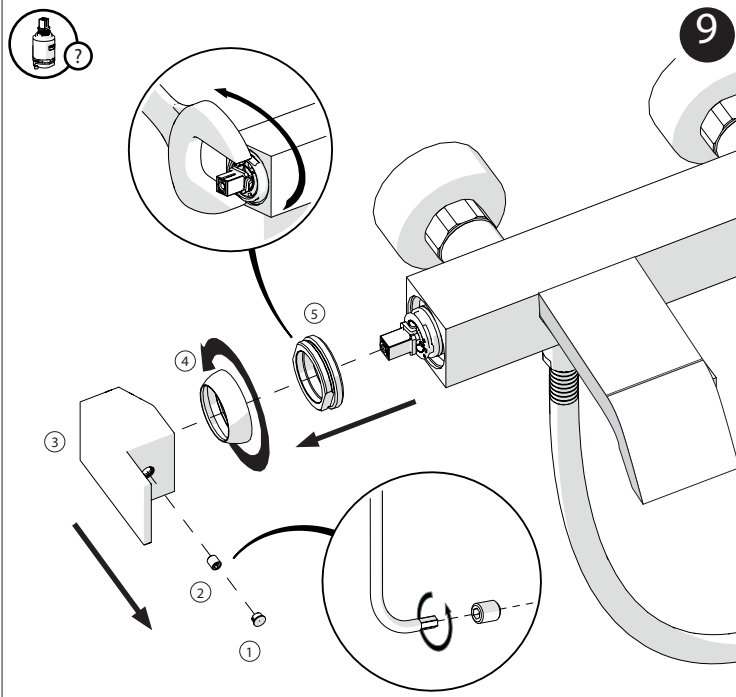
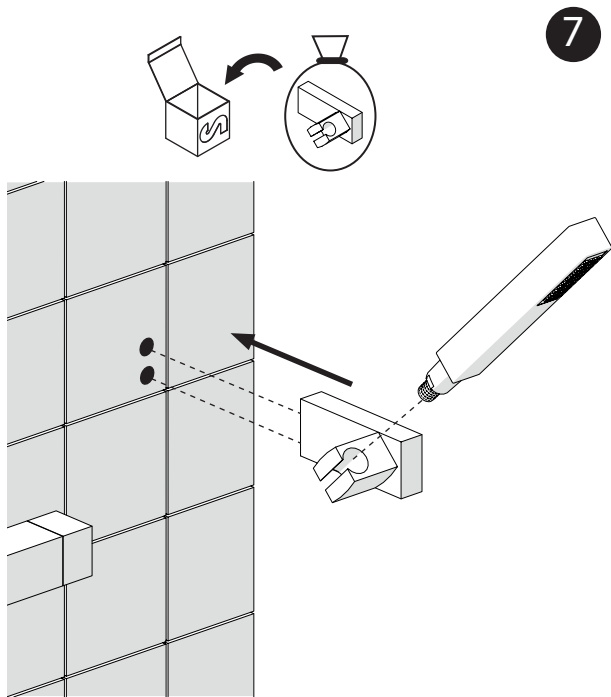


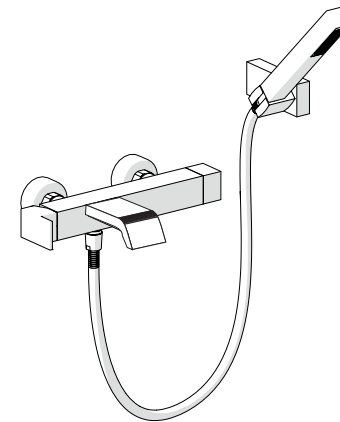
Not included / Non incluso / Non Inclus / Nie zawarty / No incluido / Nao incluido





IISTRSF00110#---STD

NOBILIS®
The Best Technology for Water



MI102110

SF00110

SL00110

RY00110

MI102110/1

SF00110/1

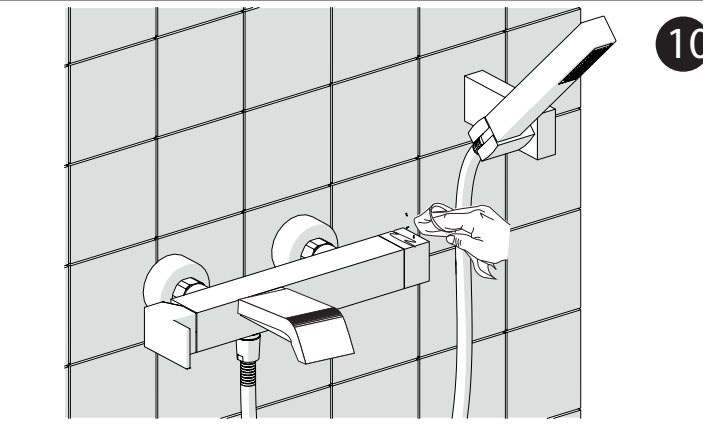
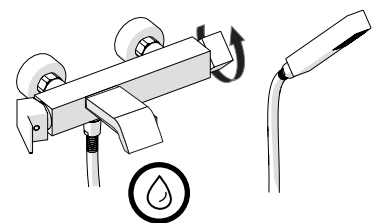
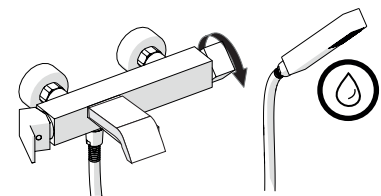
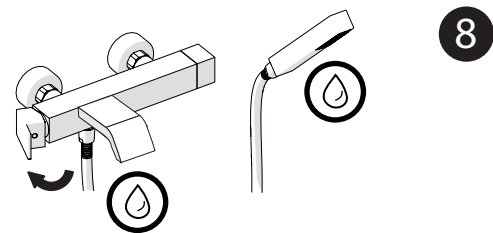
SL00110/1

RY00110/1

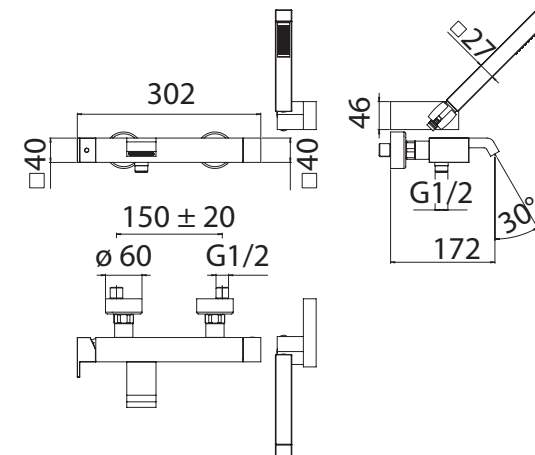
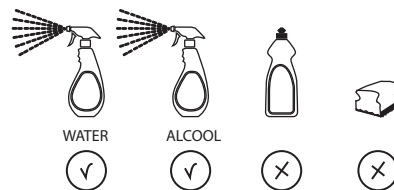


www.grupponobili.it

REV1.03/2014



CLEANING



P	p bar	MAX 10 MIN. 0.5	5		T °C	T °C	MAX 80 MIN. 45	
---	-------	-----------------	---	--	------	------	----------------	--