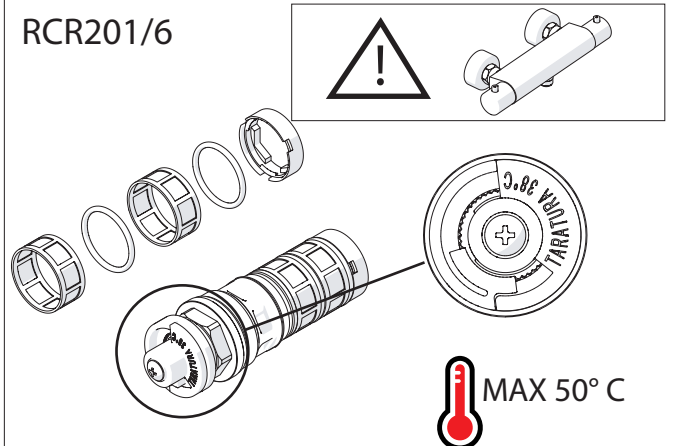


RCR201/5

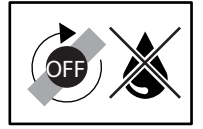
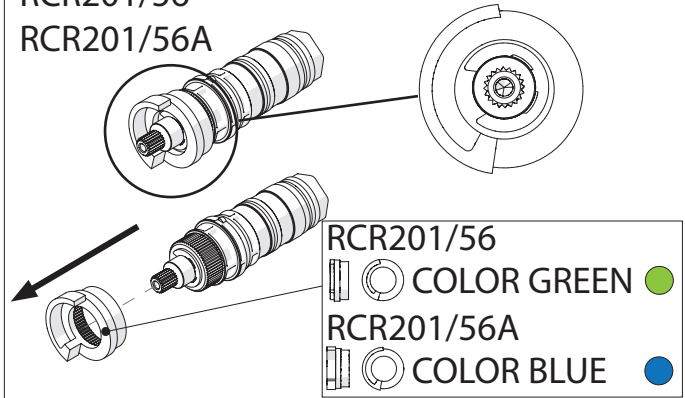


1

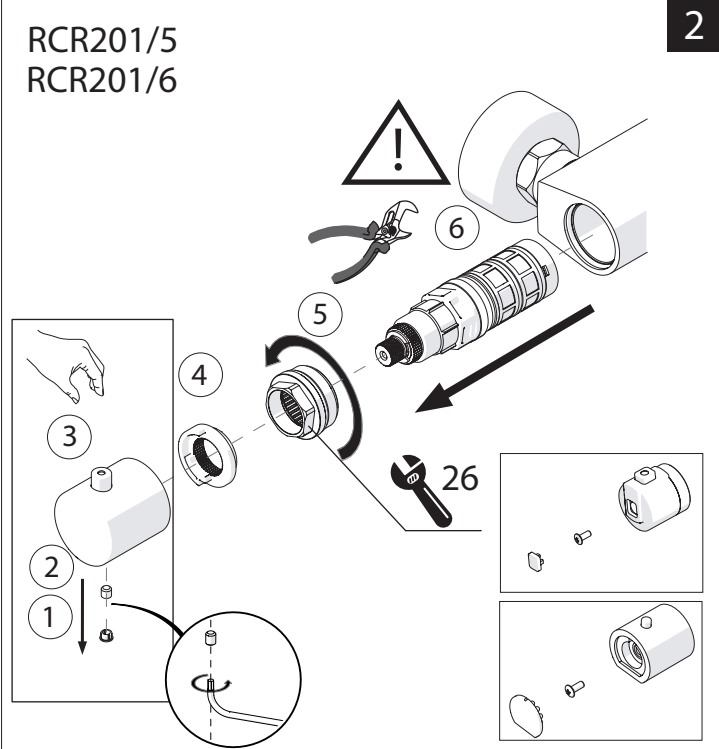
RCR201/6



RCR201/56  
RCR201/56A

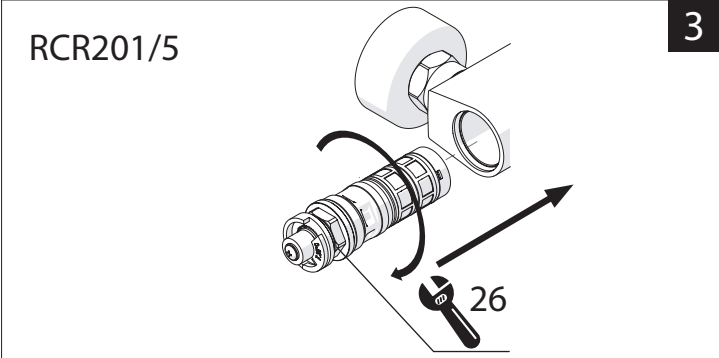


RCR201/5  
RCR201/6



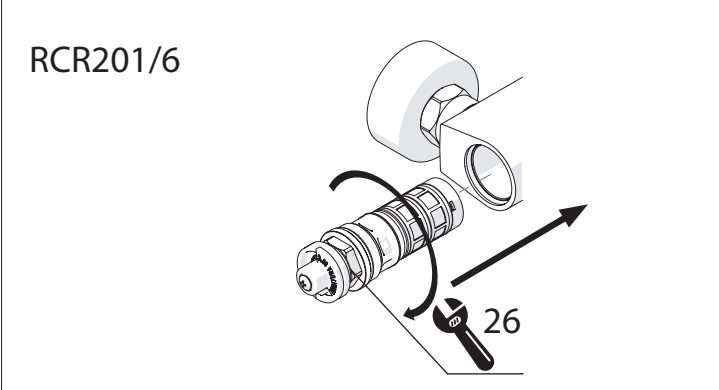
2

RCR201/5

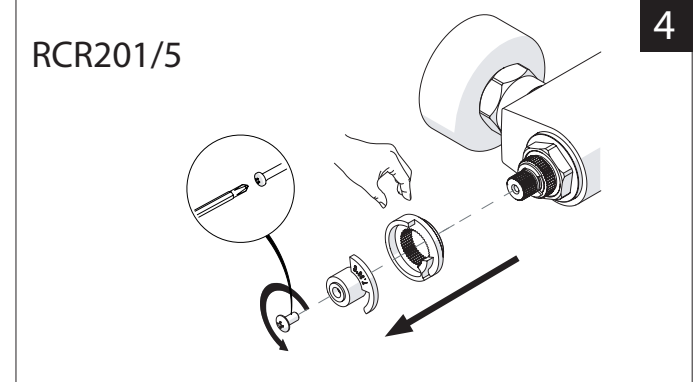


3

RCR201/6

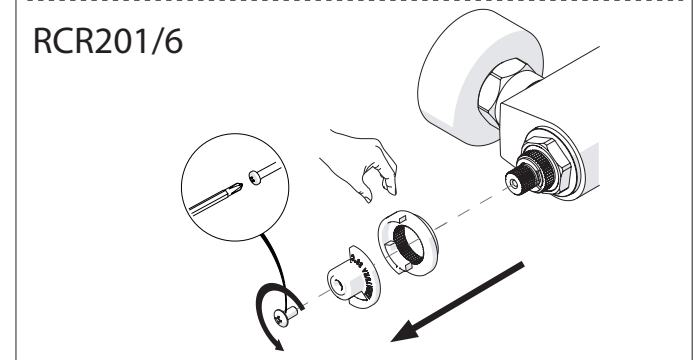


RCR201/5

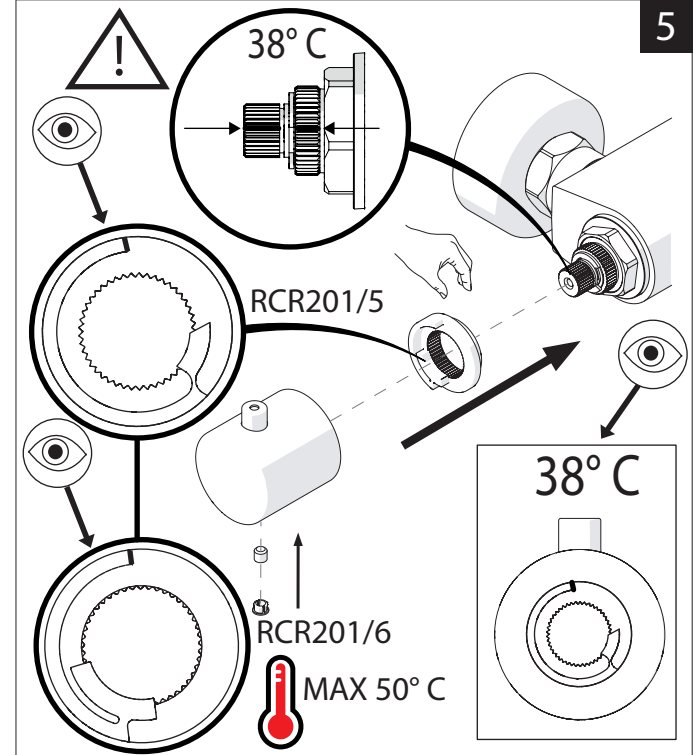


4

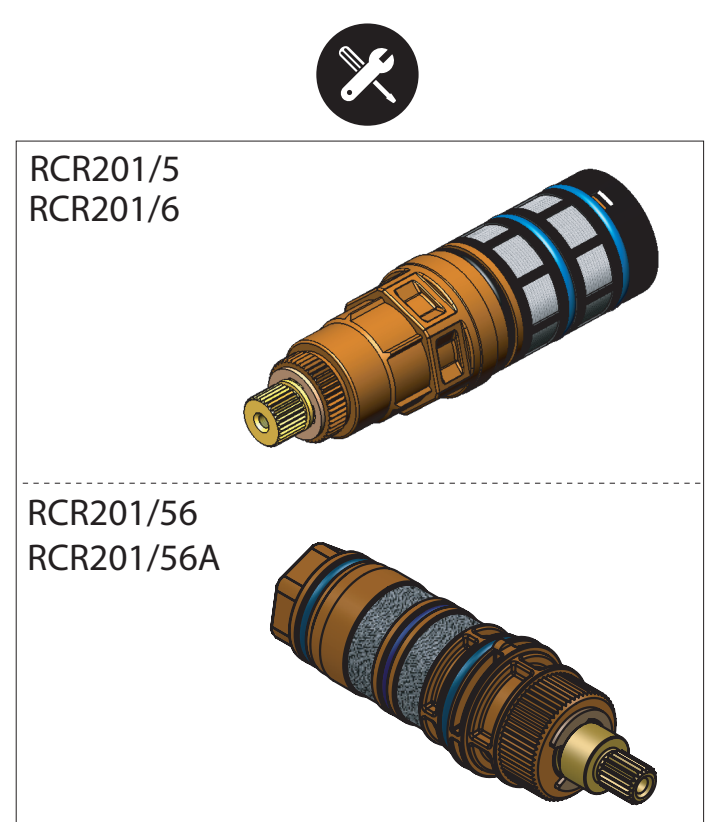
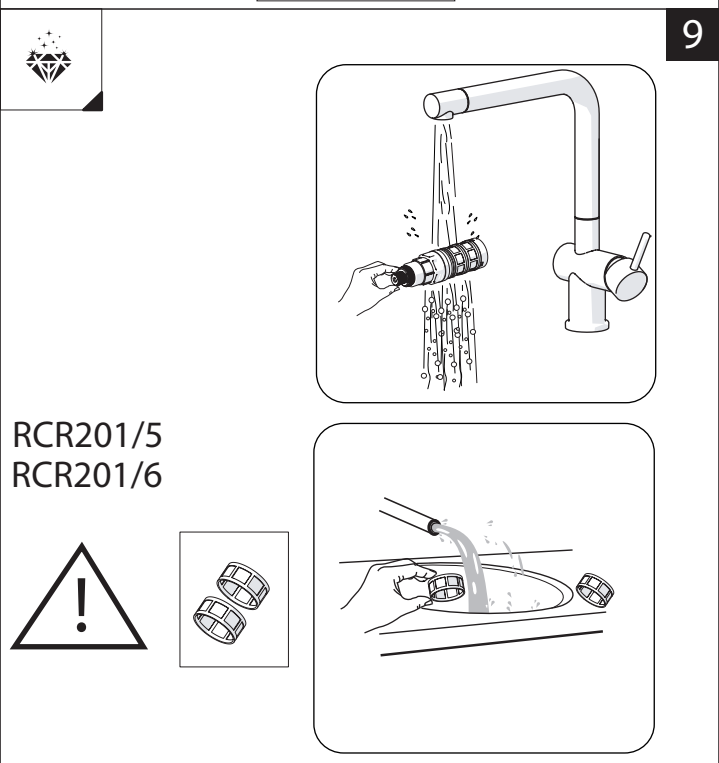
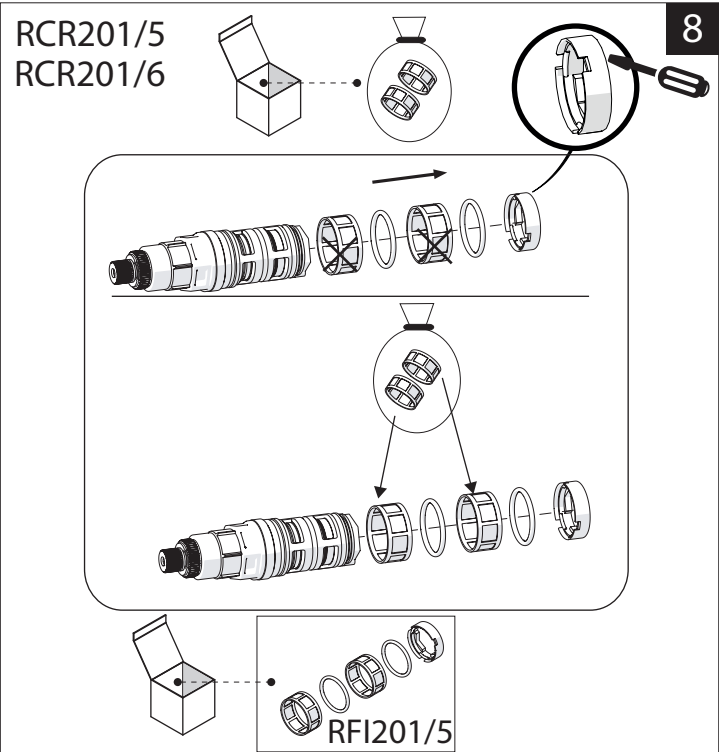
RCR201/6



RCR201/5



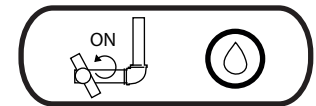
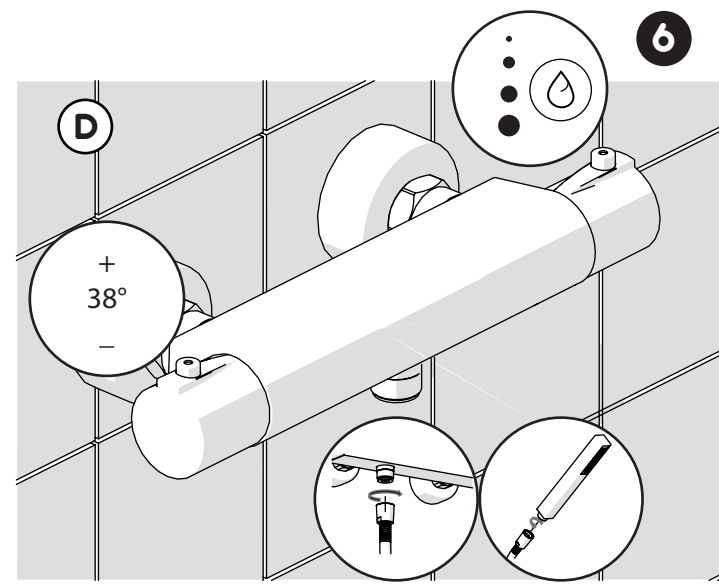
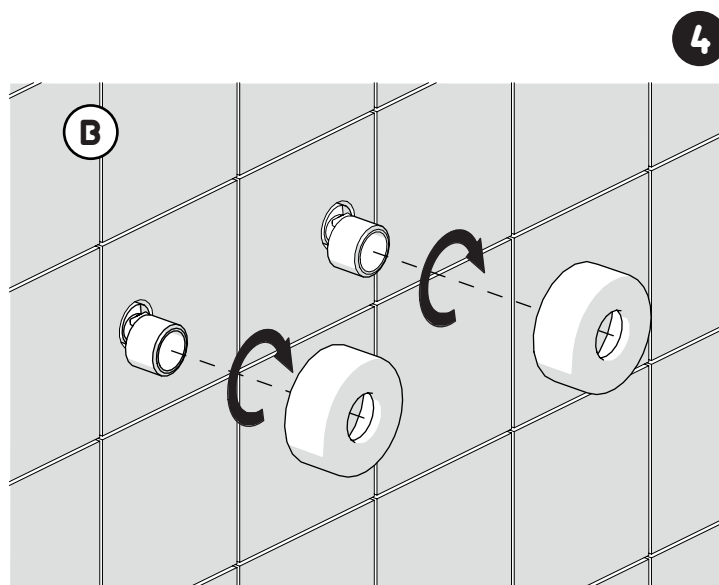
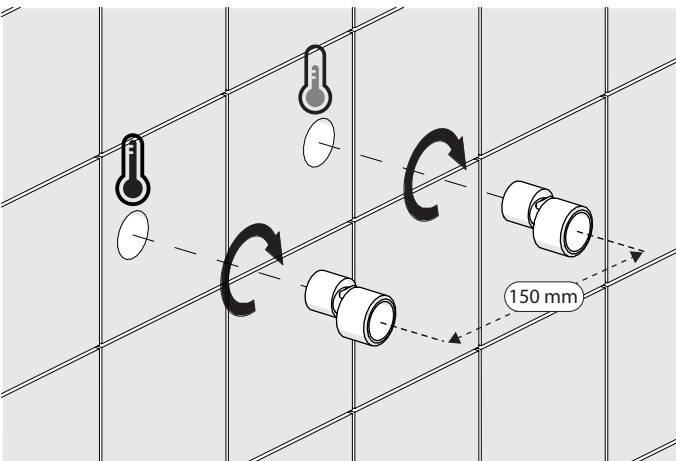
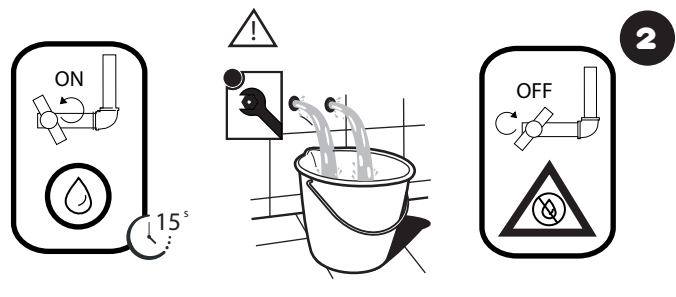
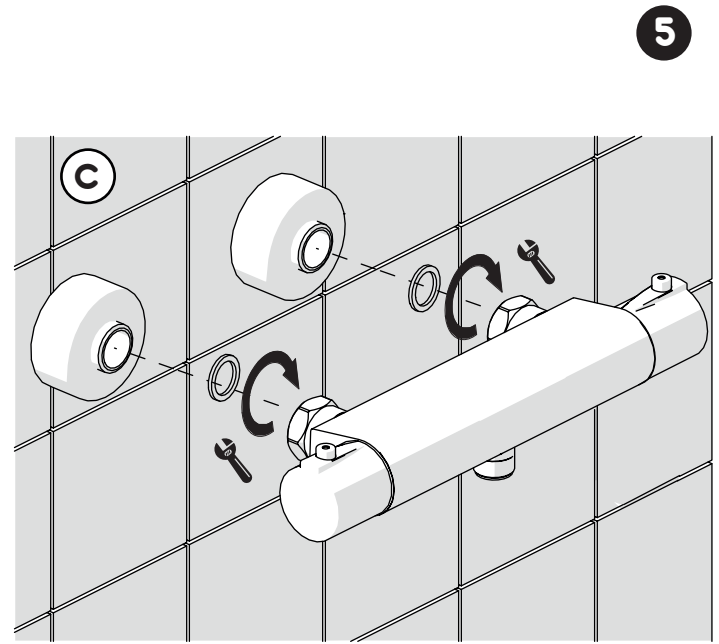
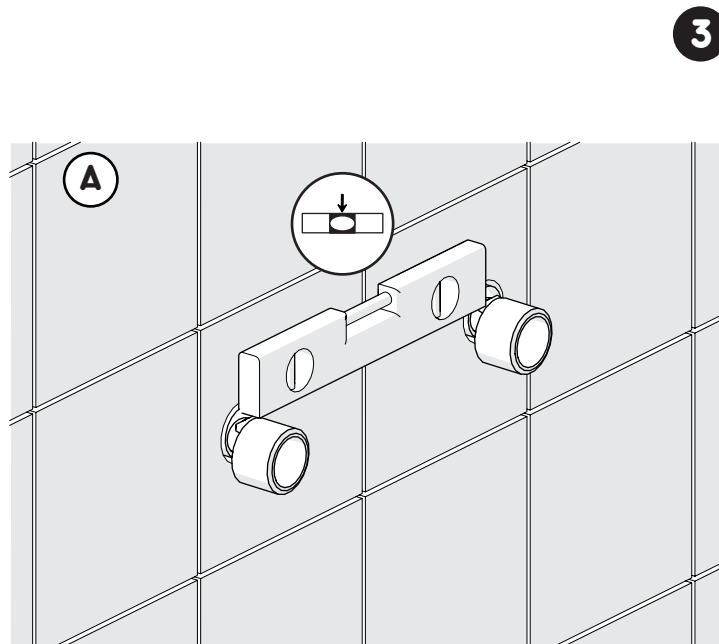
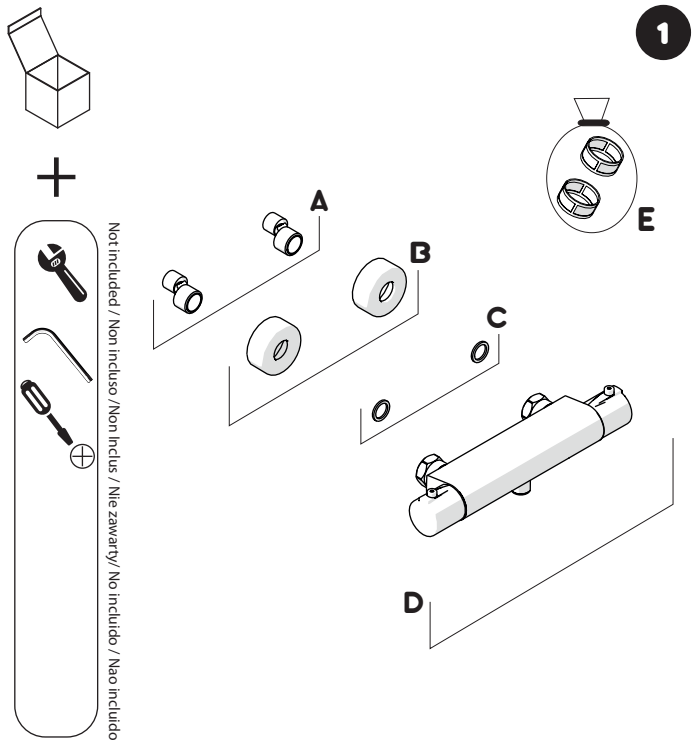
5

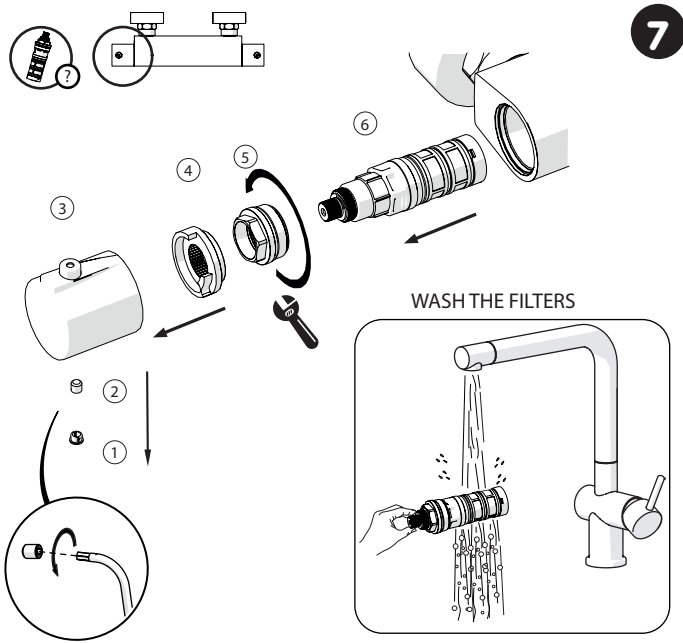


38

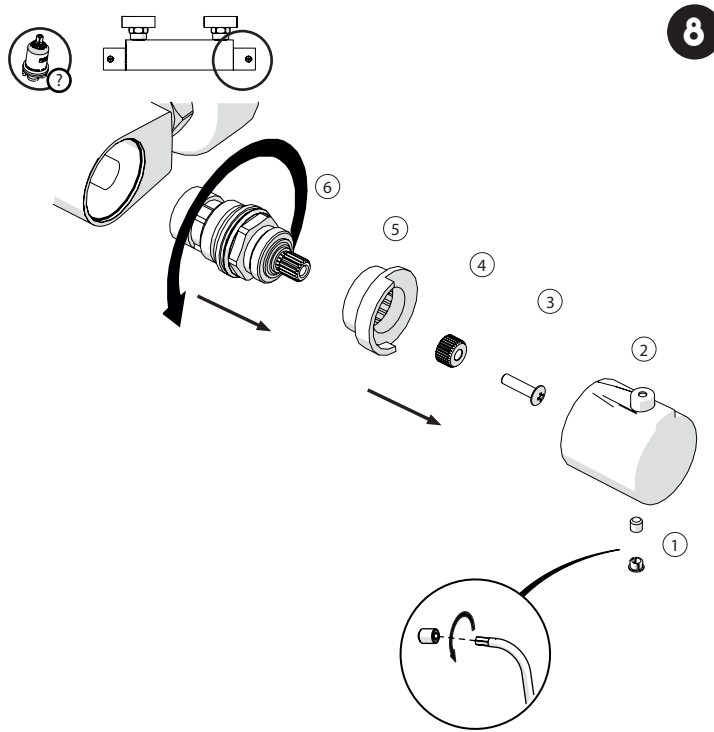
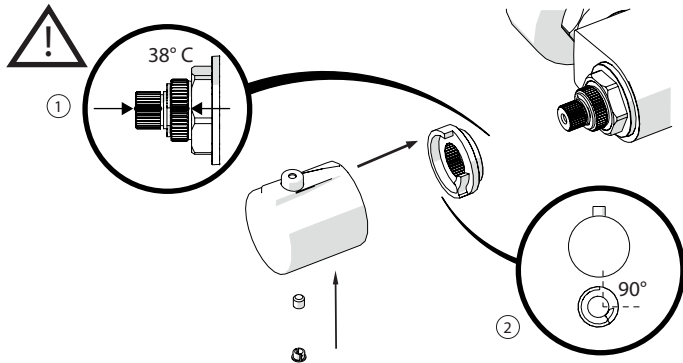
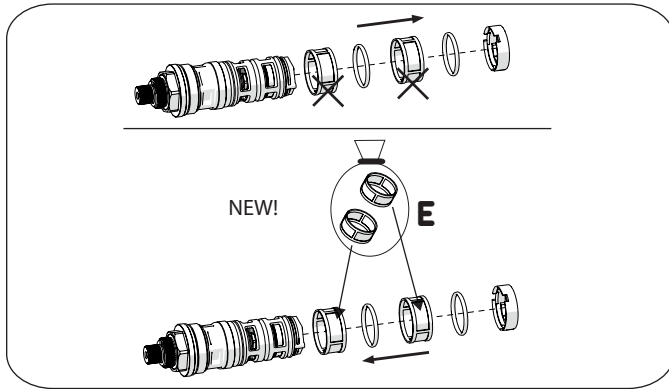
	<b>P</b> P bar	0,5 MIN	MAX 10	5 1	
	<b>T</b> T °C	MAX 80	65 45		

IISTR00201/5#--NEU REV2.12/2019





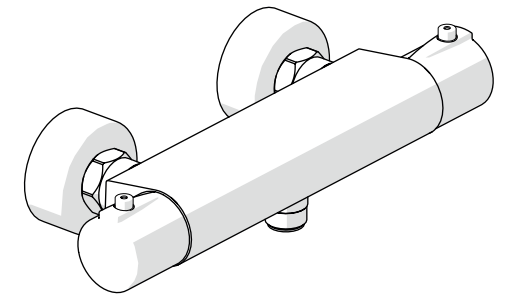
CHANGE FILTERS (spare into the box)




8

IISTRSY97030#---STD

**NOBILIS**  
The Best Technology for Water



SY97030  
VV103030  
  
www.grupponobili.it

REV03/2013

9

