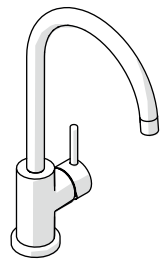


+

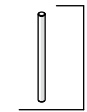


+

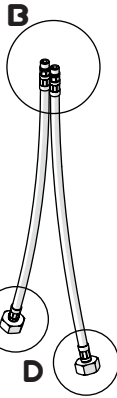
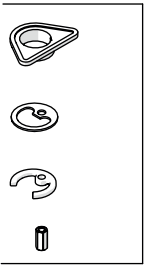
Not included / Non incluso / Non inclus / Nie zawarty / No incluido / Nao incluido



A



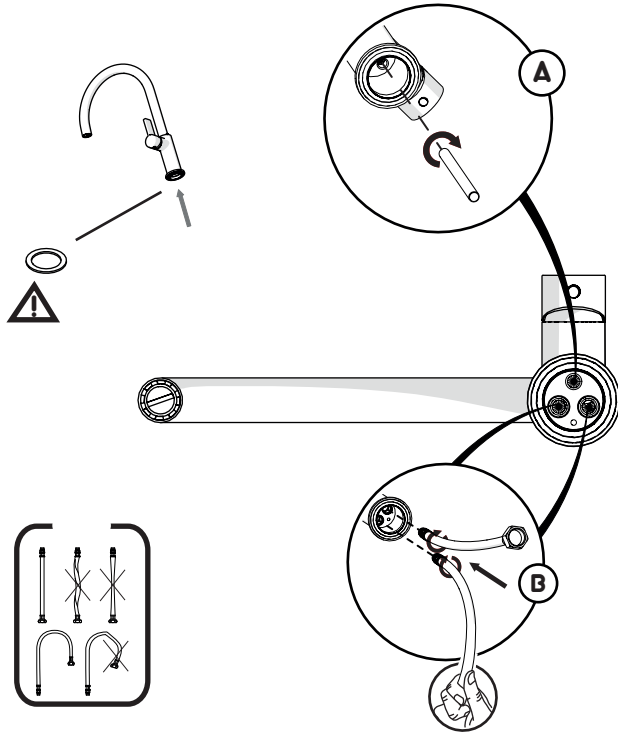
C



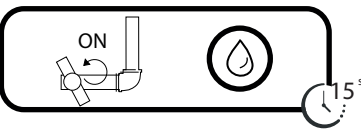
B

D

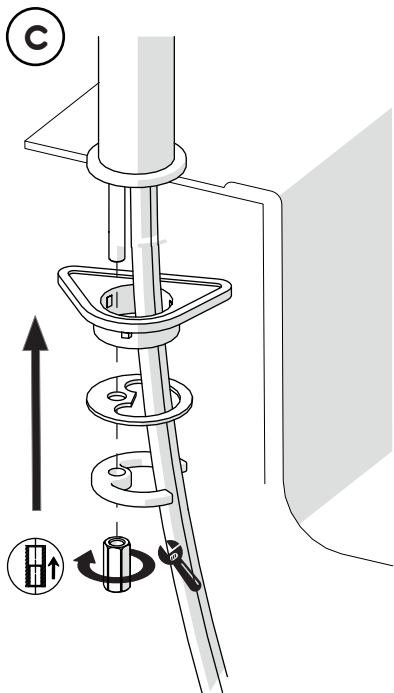
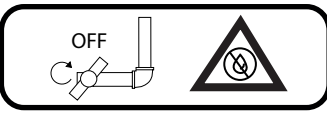
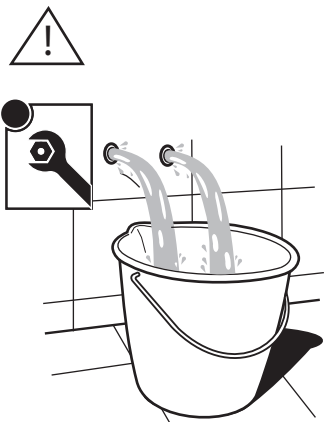
1



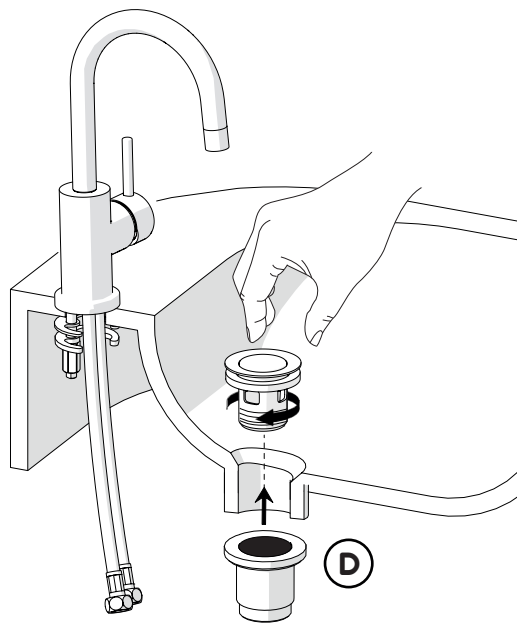
3



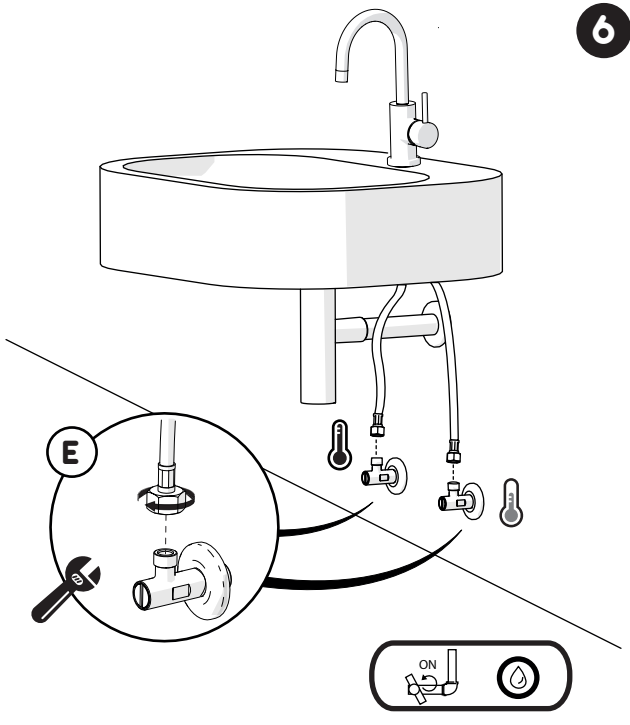
2



4

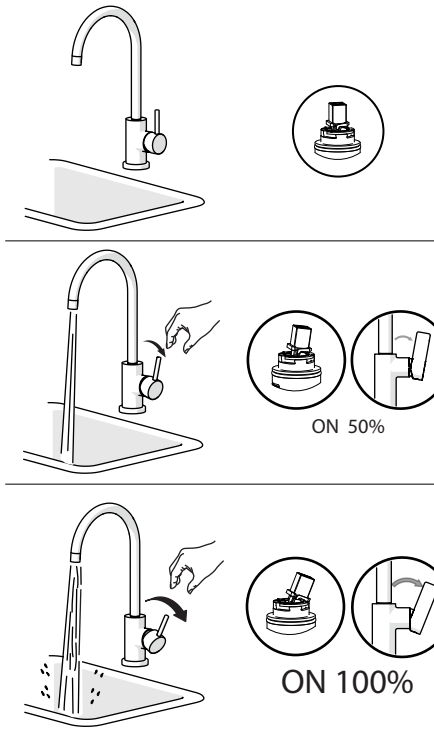


5

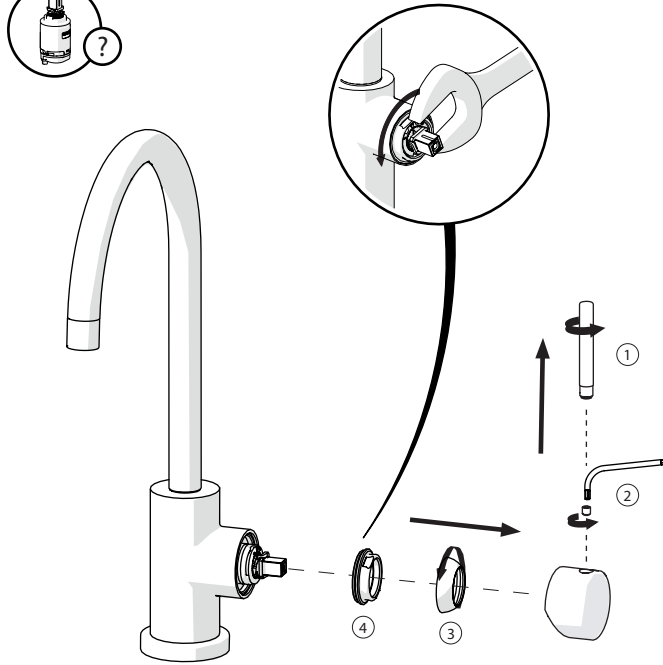


6

 -50%



7

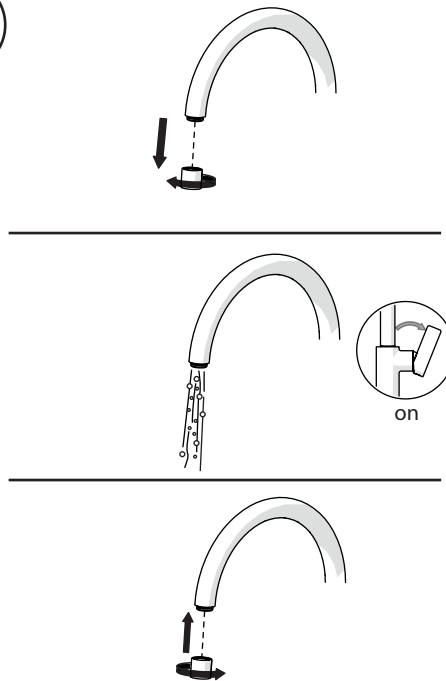
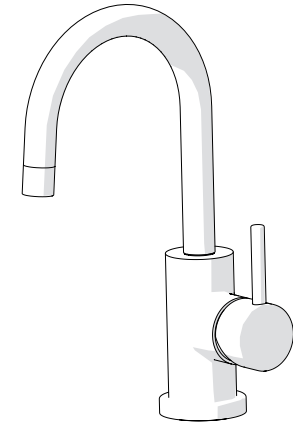


9

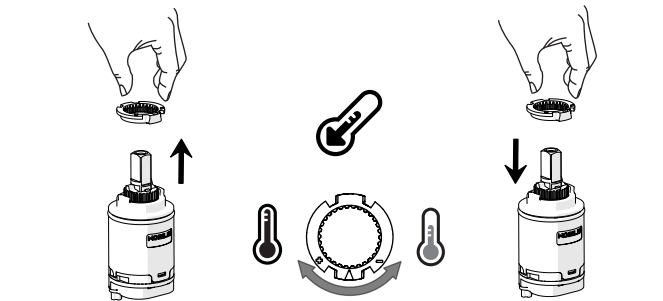
IISTRAB87338/2#---STD

**NOBILIS**  
The Best Technology for Water

REV1.01/2014



8

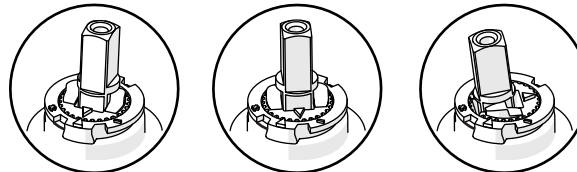


10

No limitation of temperature

Partial limitation of temperature

Maximum position Only cold water



AB87338/2



[www.grupponobili.it](http://www.grupponobili.it)

CLEANING

