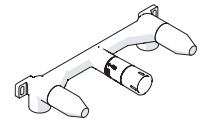
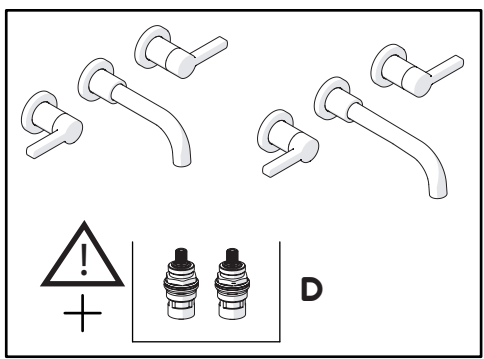
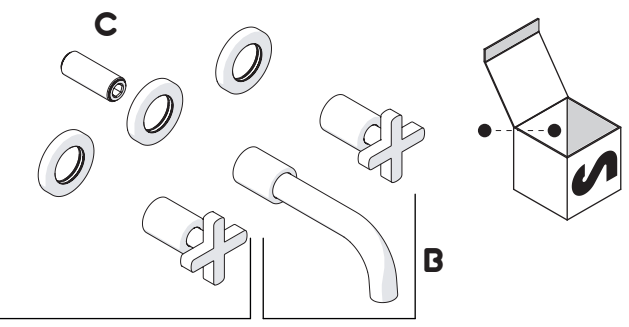
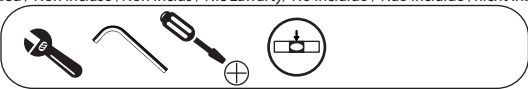
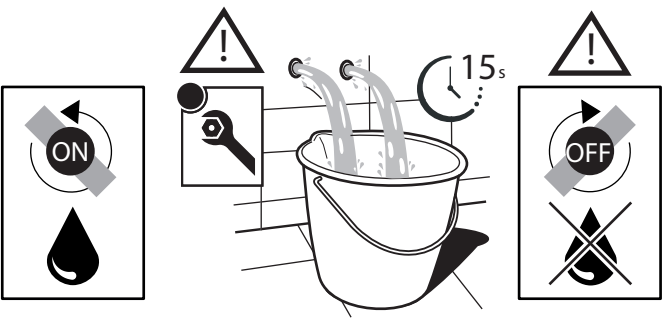


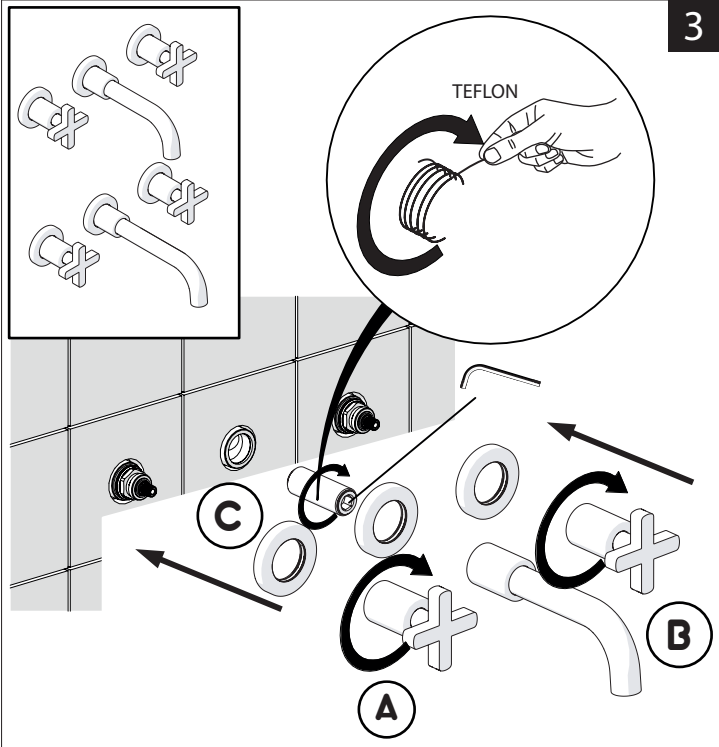
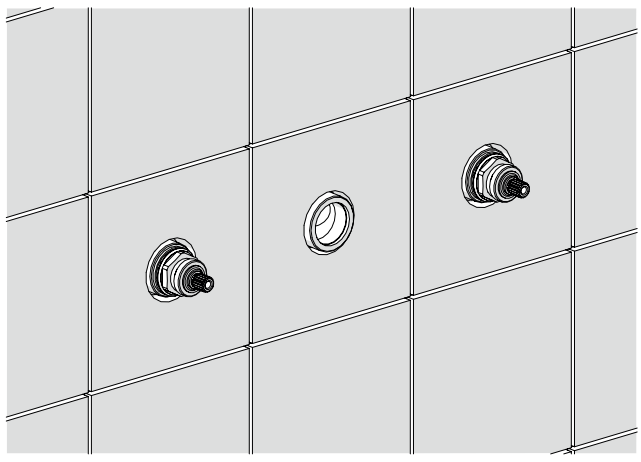
1
 Not included / Non incluso / Non Inclus / Nie zawarty / No incluido / Nao incluido / nicht inbegriffen



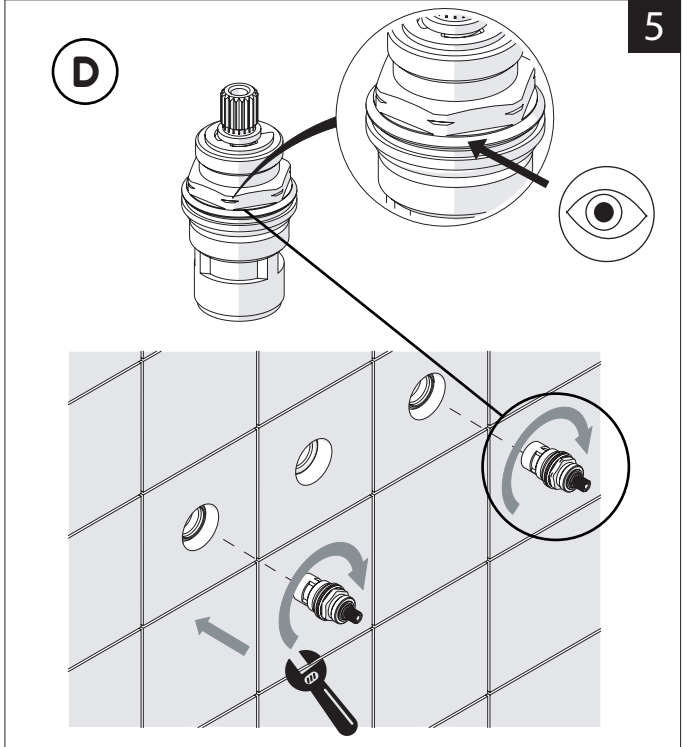
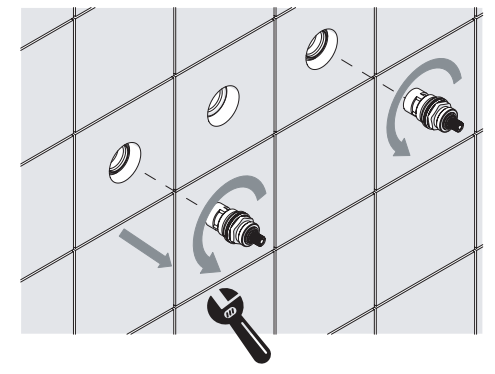
WE00298

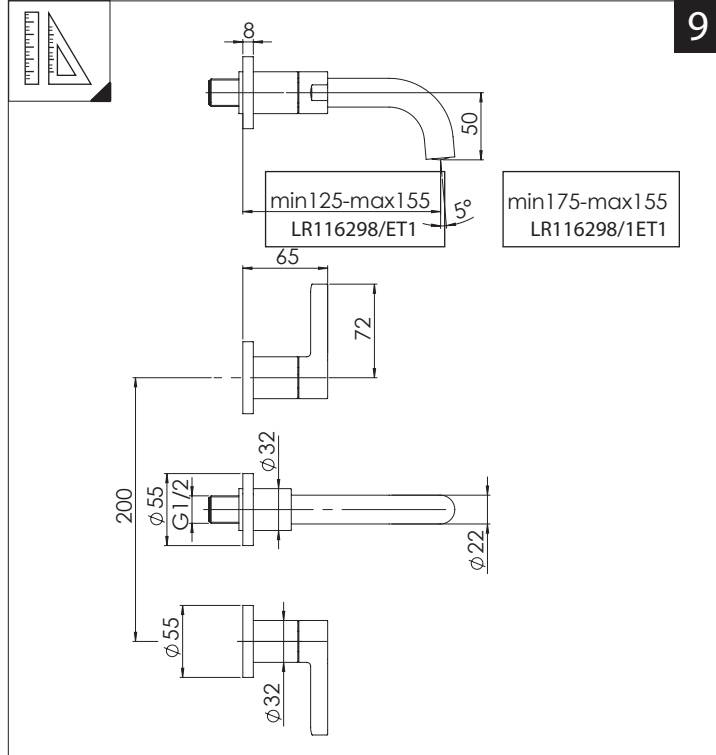
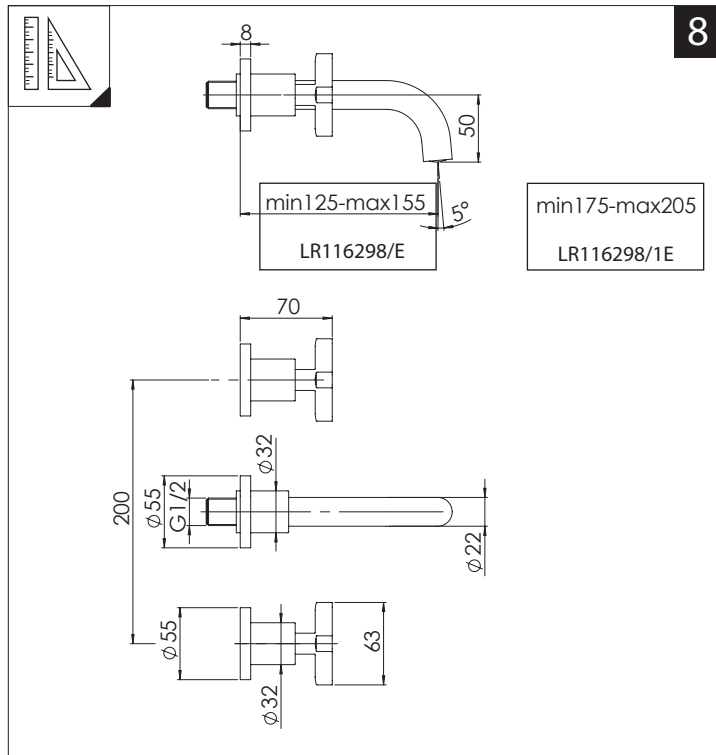
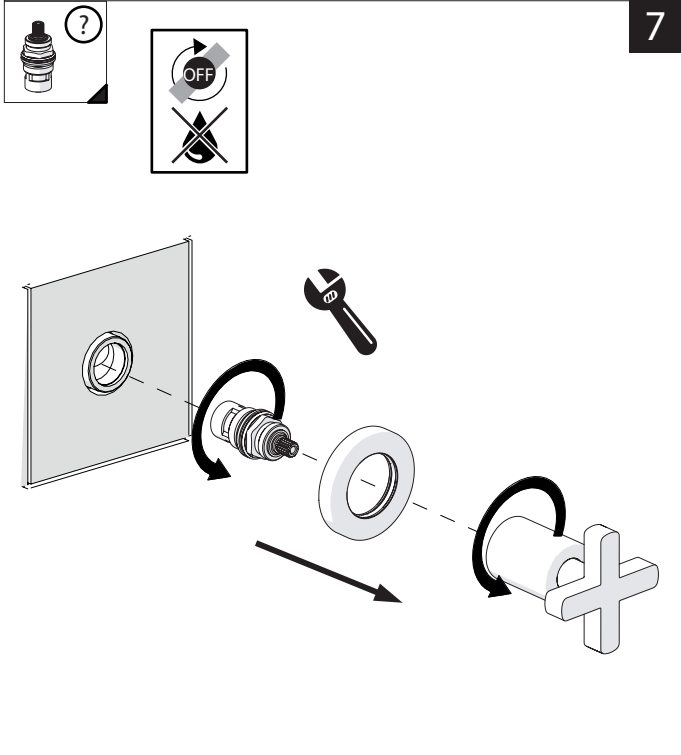
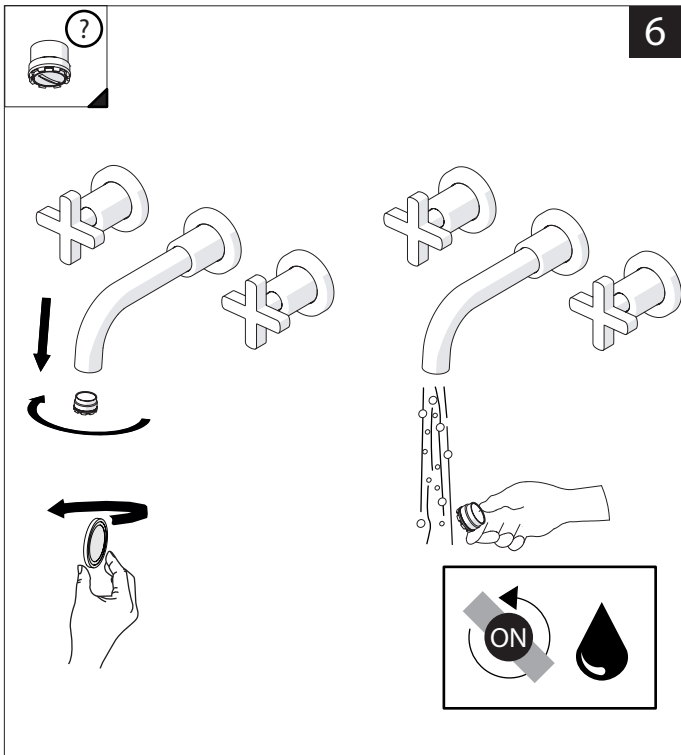


2
 OFF
 Water tap symbol with a slash through it.

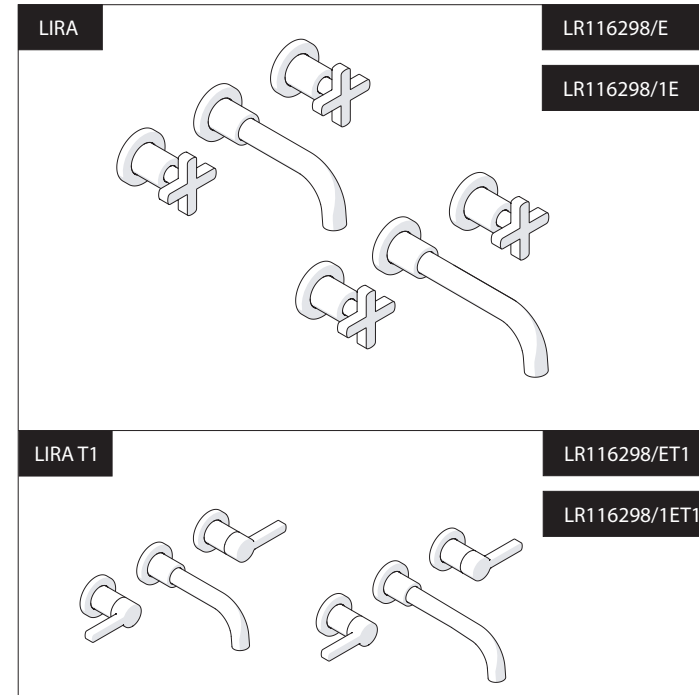


4





NOBILIS



www.nobili.it

PRIMA DI INIZIARE / BEFORE STARTING



PULIZIA / CLEANING

