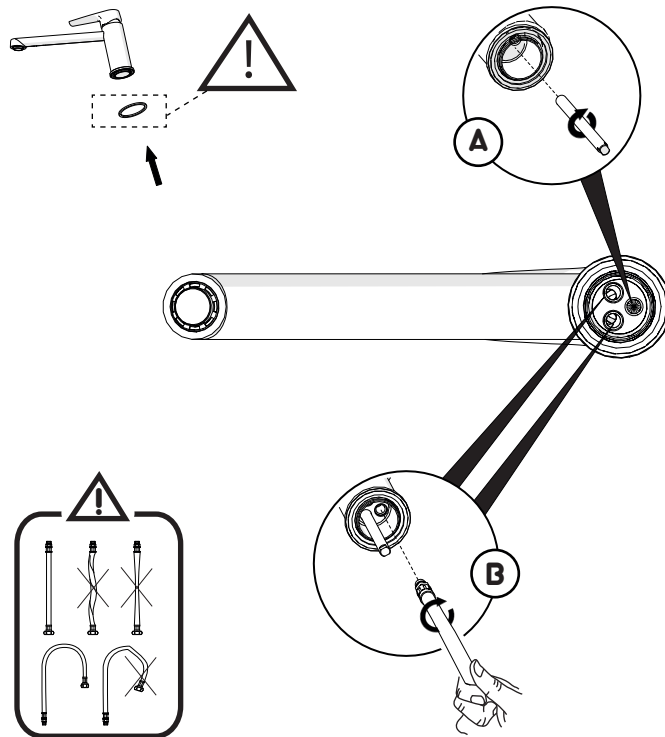


Not included / Non incluso / Non Inclus / Nie zawarty / No incluido / Nao incluido

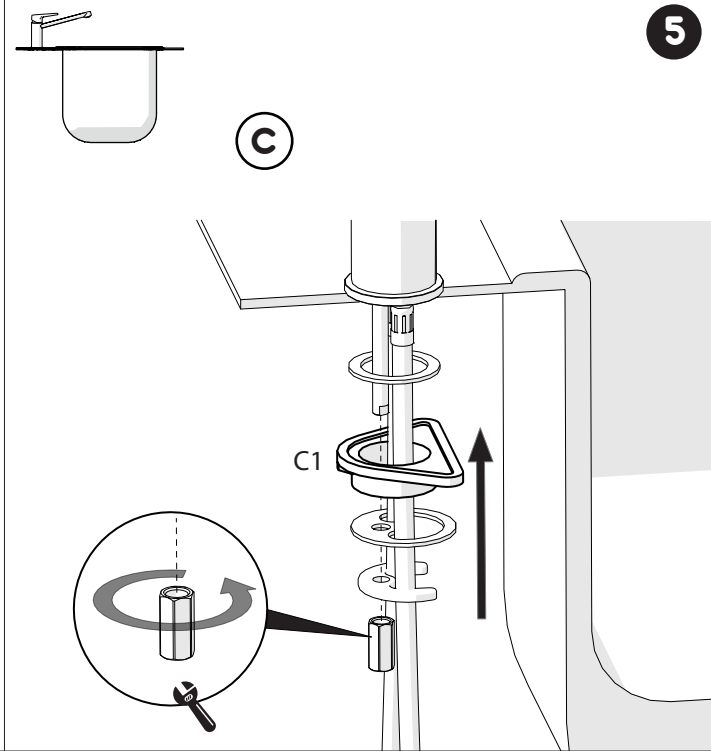
+



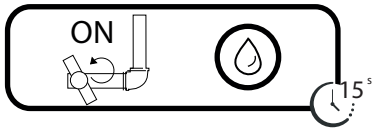
1



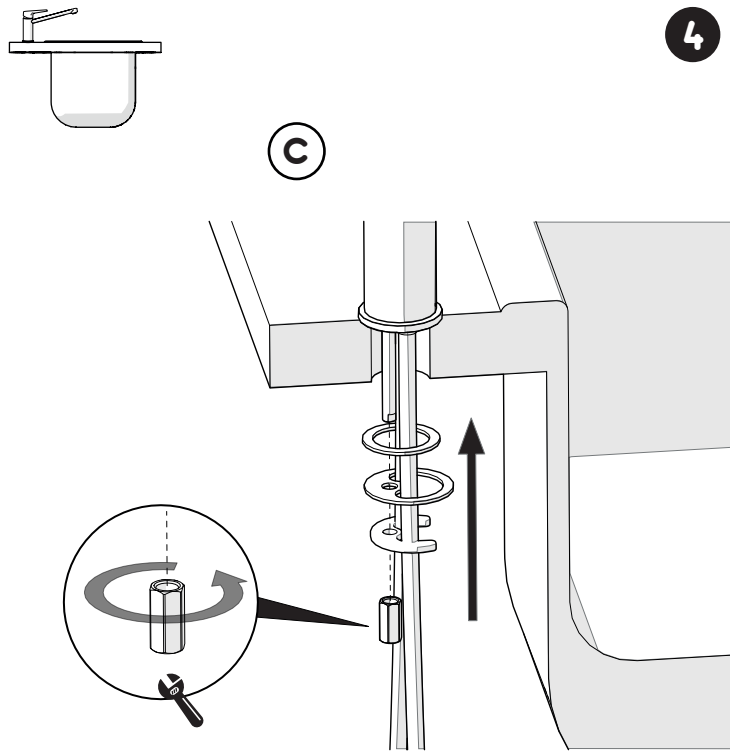
3



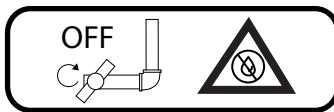
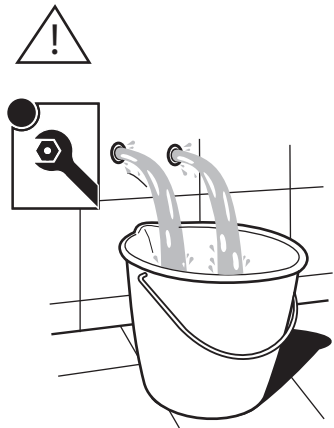
5



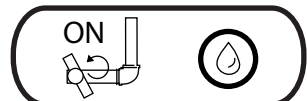
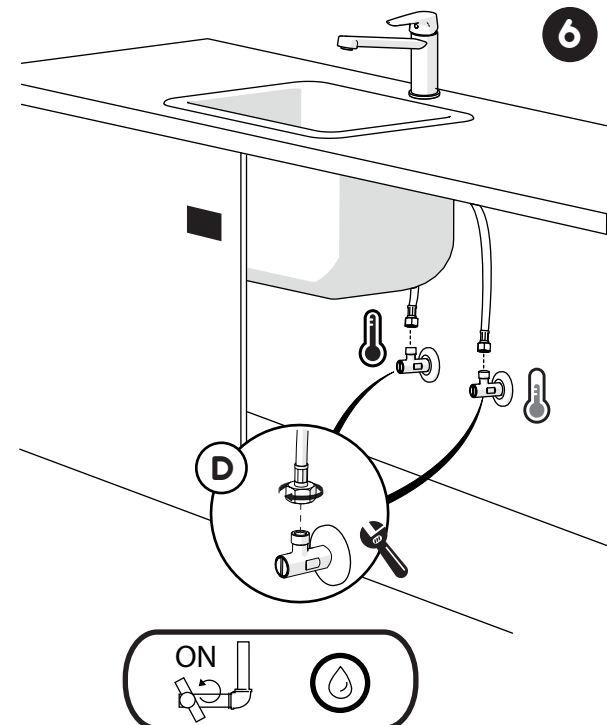
2



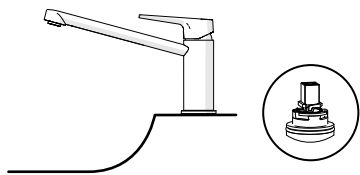
4



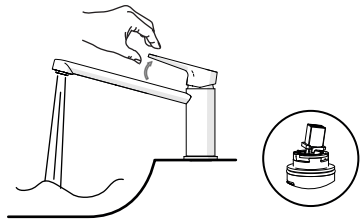
6



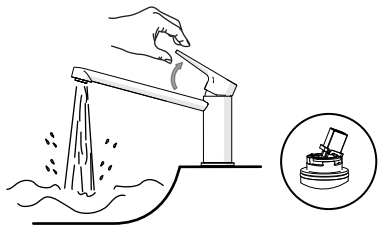
-50%



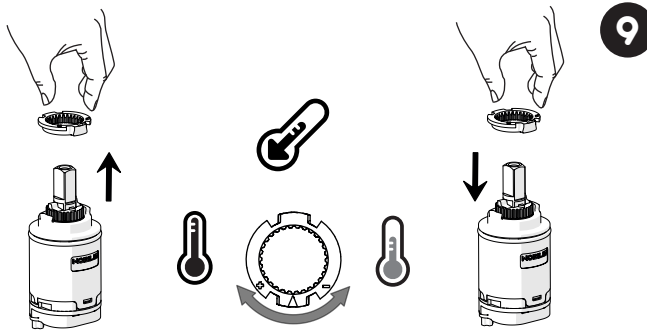
7



ON 50%



ON 100%

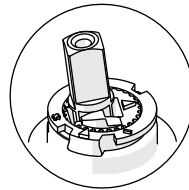
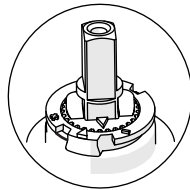
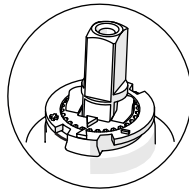


9

No limitation of temperature

Partial limitation of temperature

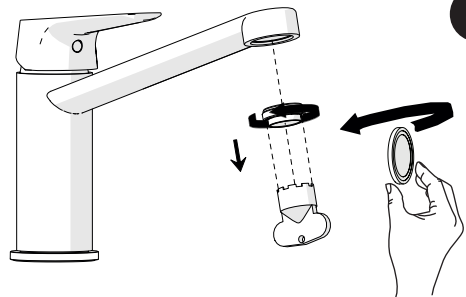
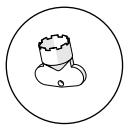
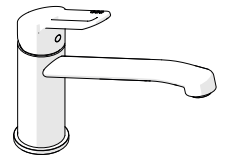
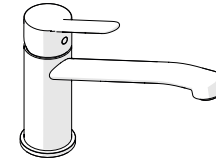
Maximum position Only cold water



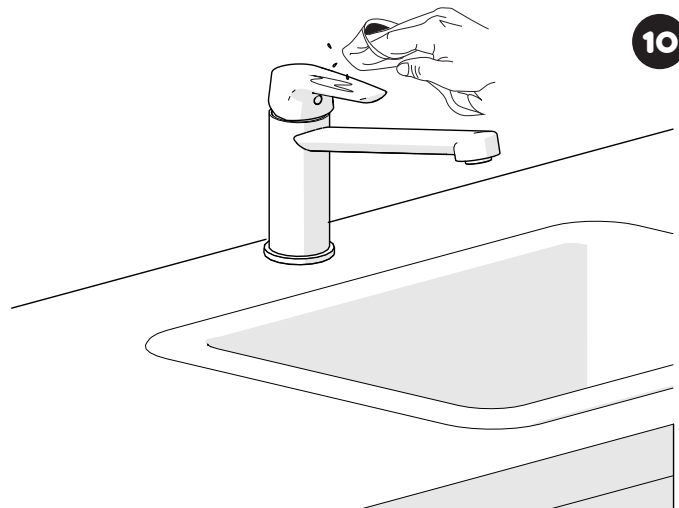
IISTR00113/25#--STD

**NOBILIS**  
The Best Technology for Water

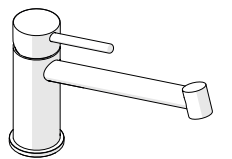
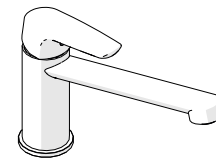
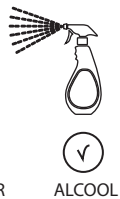
REV2.04/2014



8



10



[www.grupponobili.it](http://www.grupponobili.it)



P

bar

0.5 MIN.

MAX 10

5

5

T

T °C

MAX

-80

°C

MAX

-65

°C

45