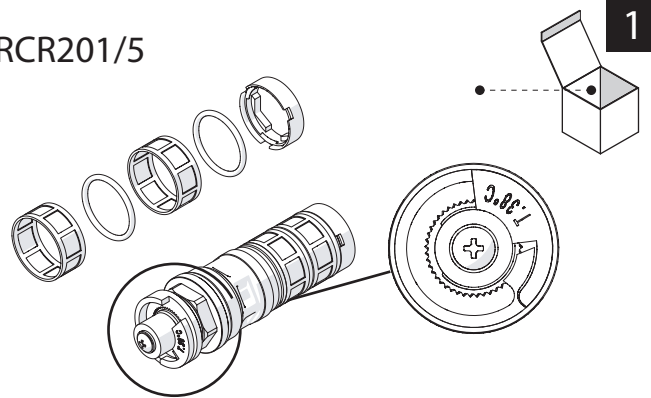
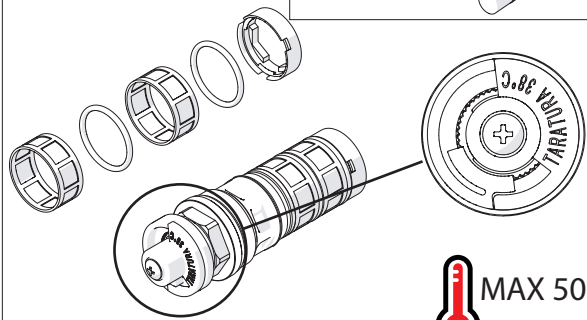
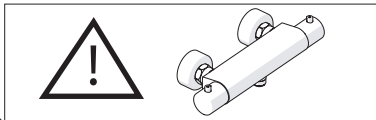


RCR201/5

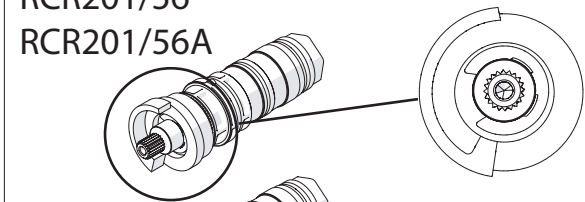


1

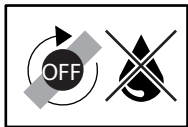
RCR201/6



RCR201/56
RCR201/56A

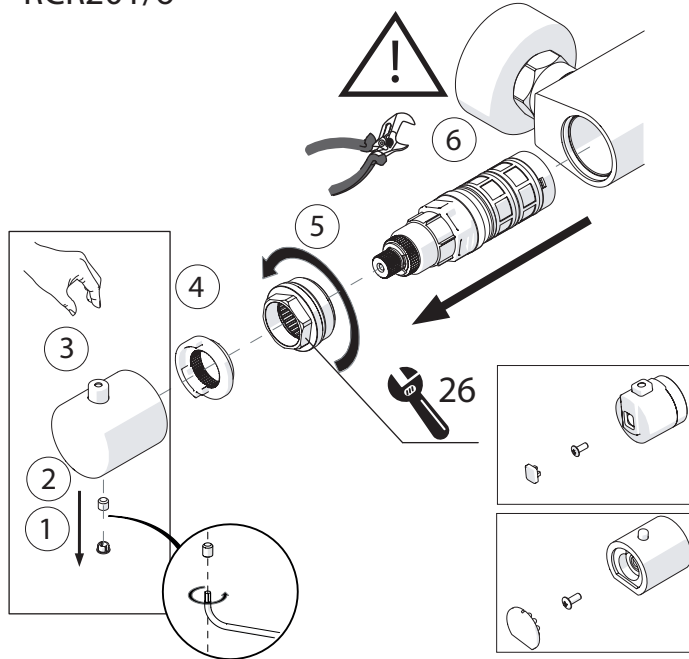


- RCR201/56
- 
 COLOR GREEN
- 
 COLOR BLUE



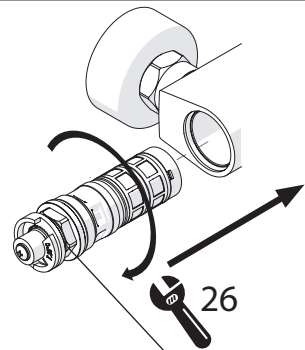
RCR201/5
RCR201/6

2

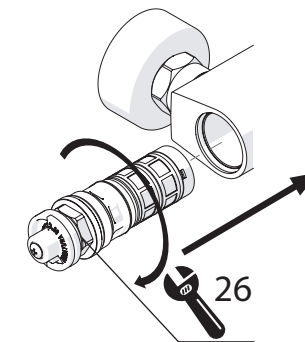


RCR201/5

3

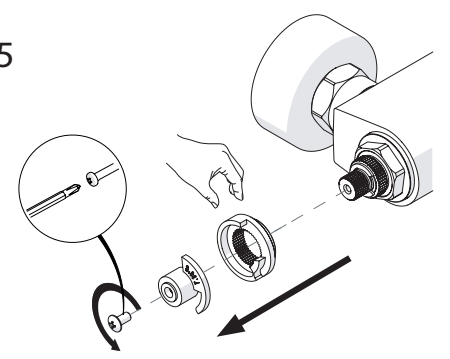


RCR201/6

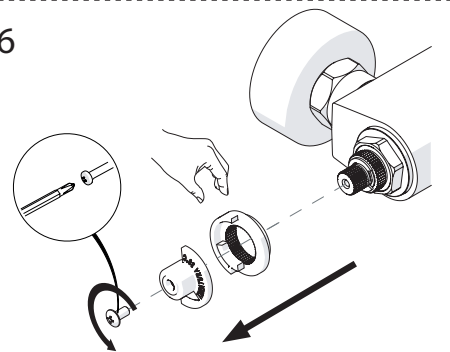


RCR201/5

4

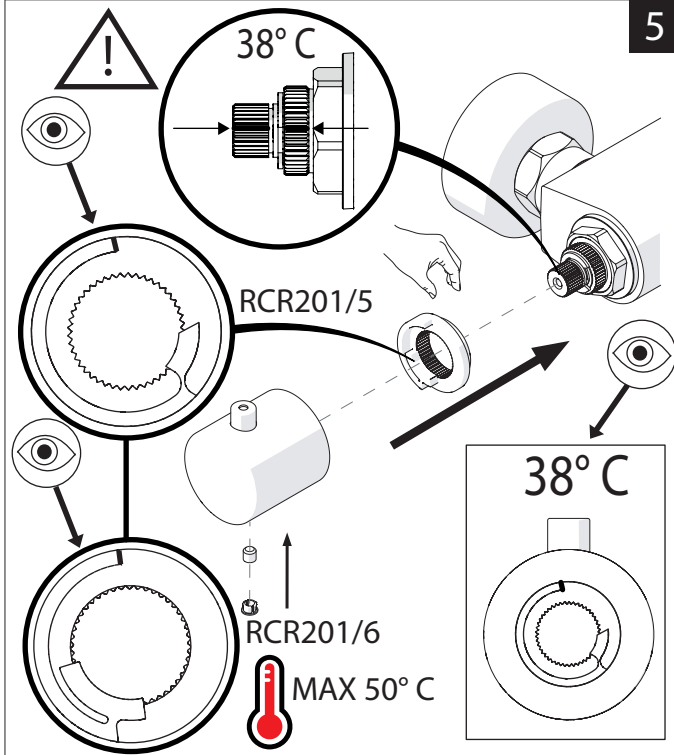


RCR201/6



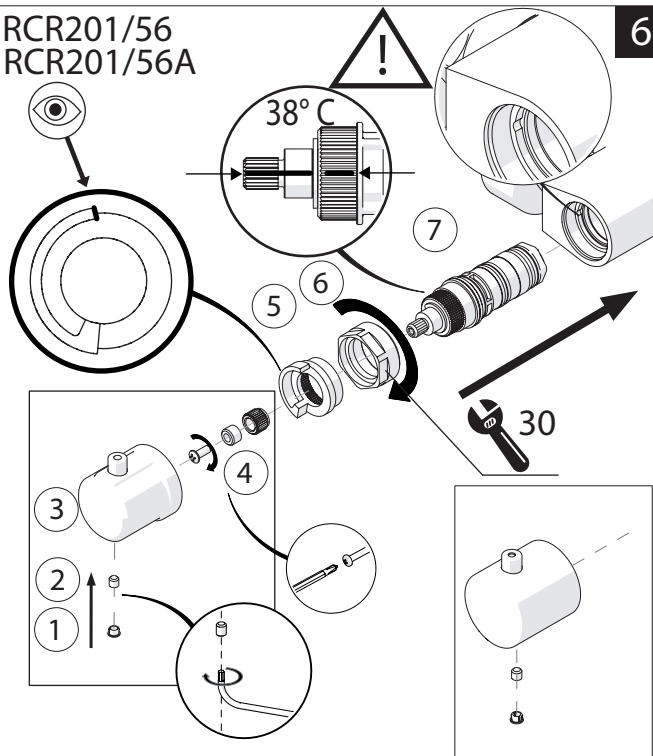
RCR201/5

5



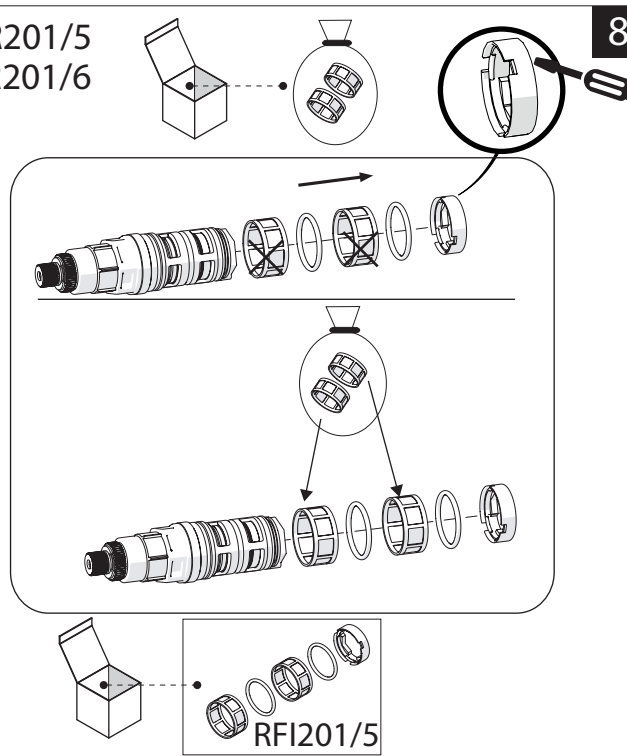
RCR201/56
RCR201/56A

6

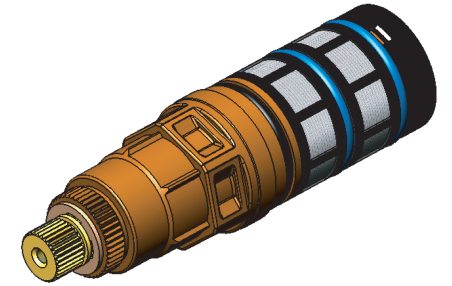


RCR201/5
RCR201/6

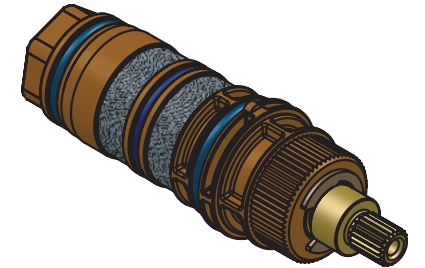
8



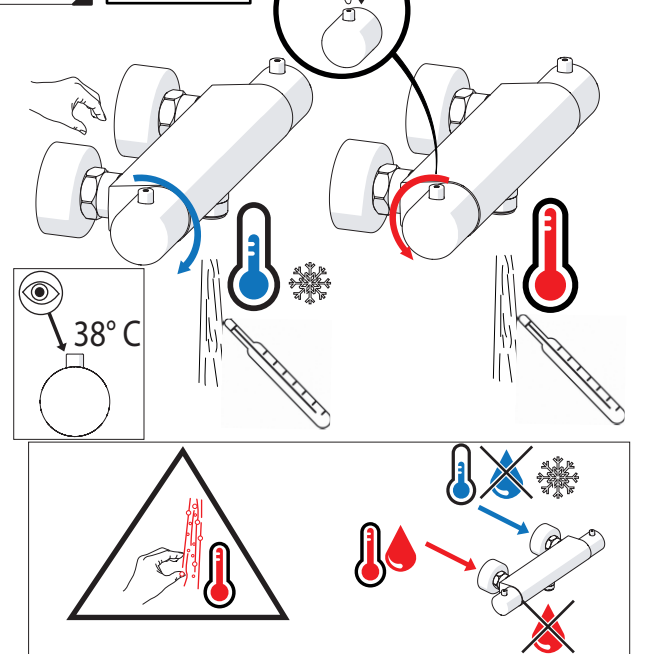
RCR201/5
RCR201/6



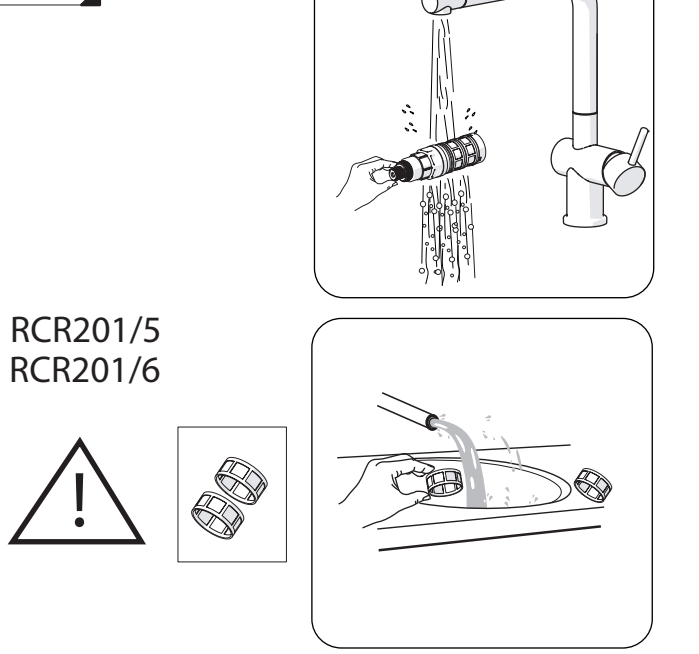
RCR201/56
RCR201/56A



7

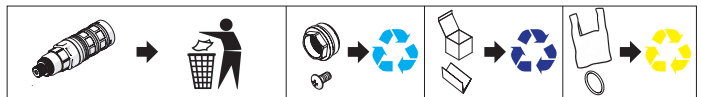


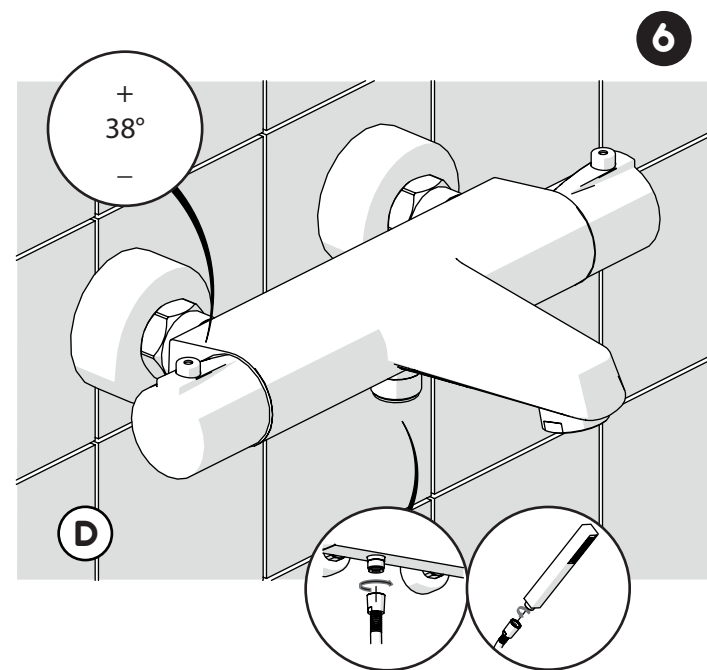
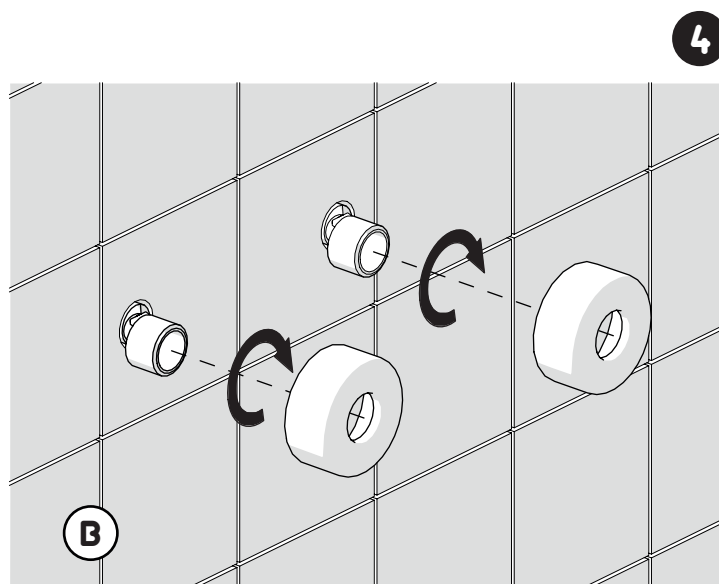
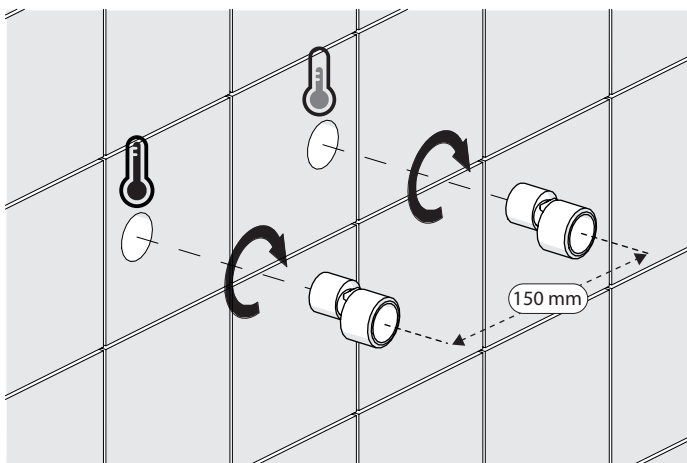
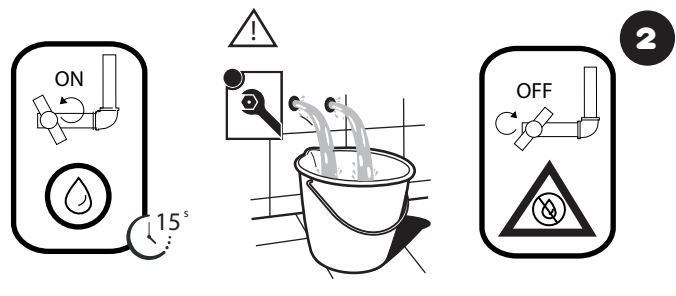
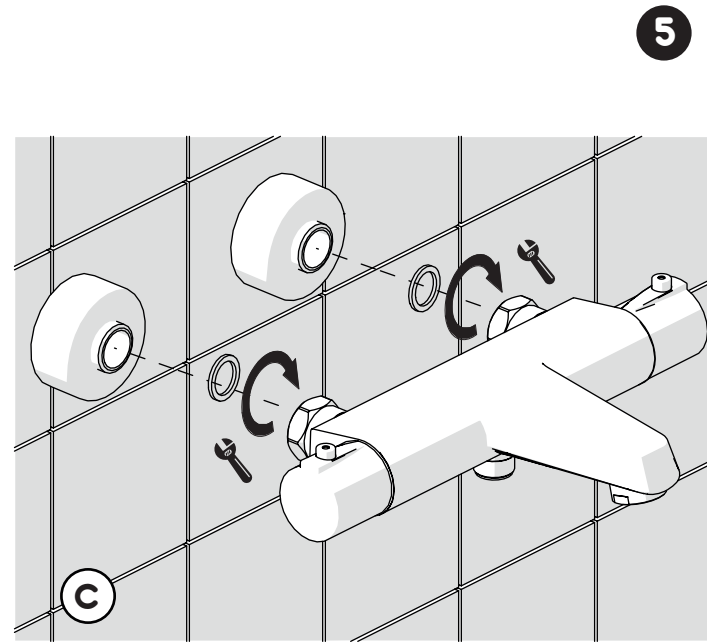
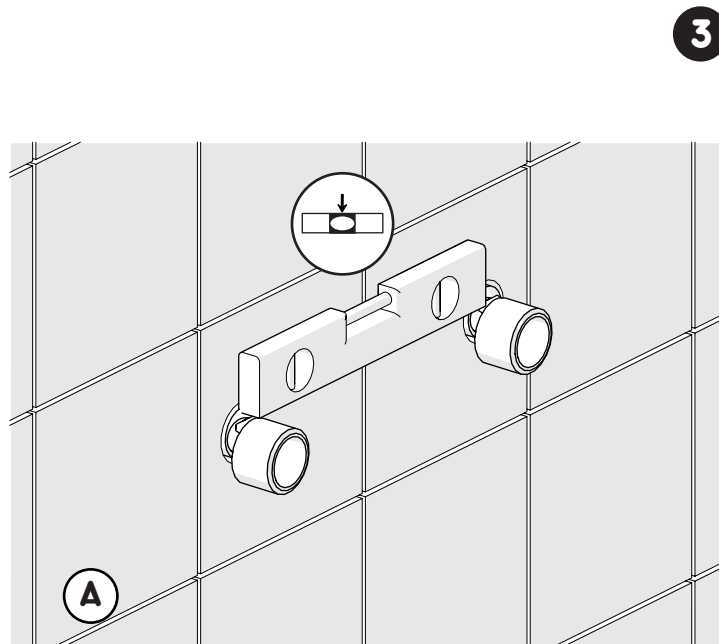
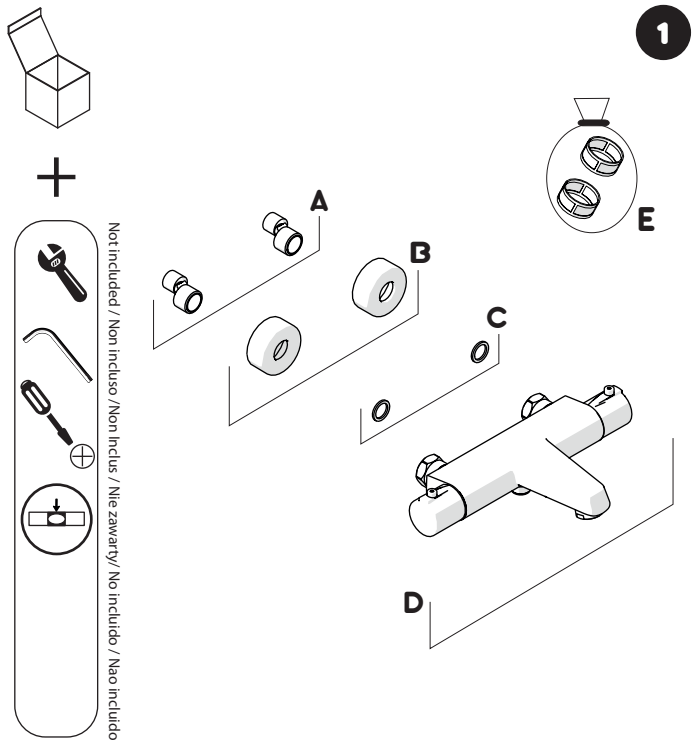
9

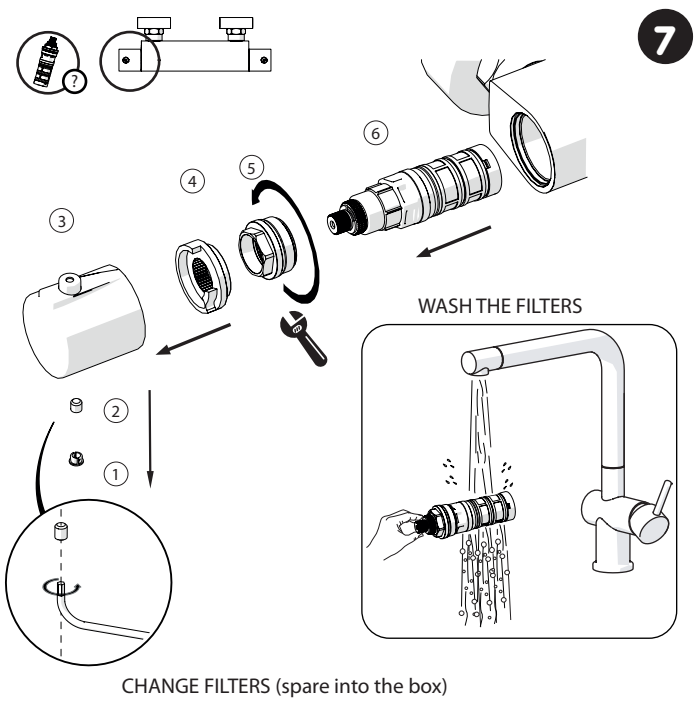


	P P bar	MAX 10 0,5 MIN	5 1	
--	-------------------	-------------------	--------	--

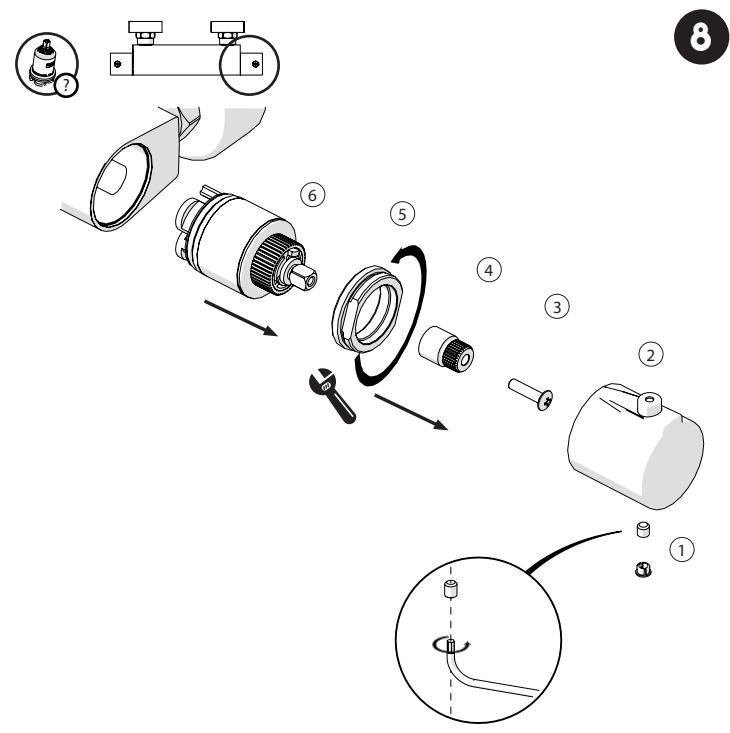
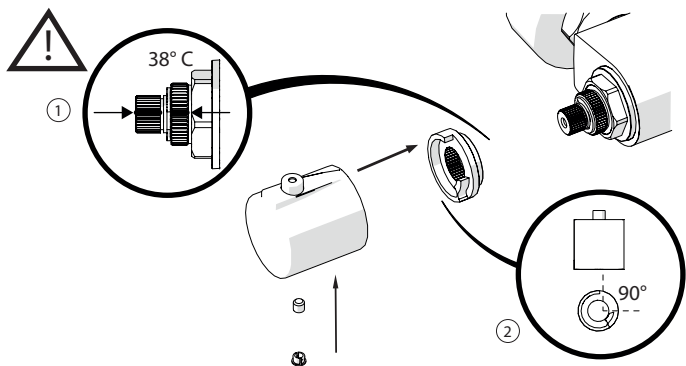
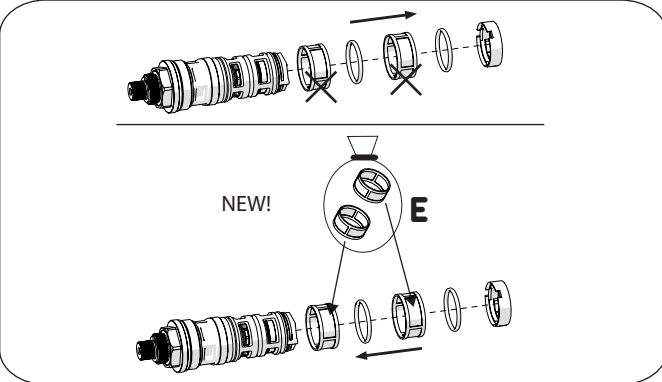
	T T °C	MAX 80	65 45	
--	------------------	--------	----------	--



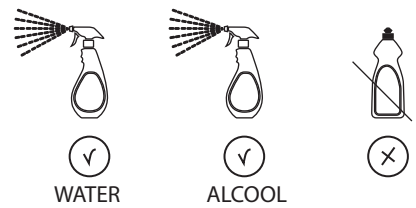
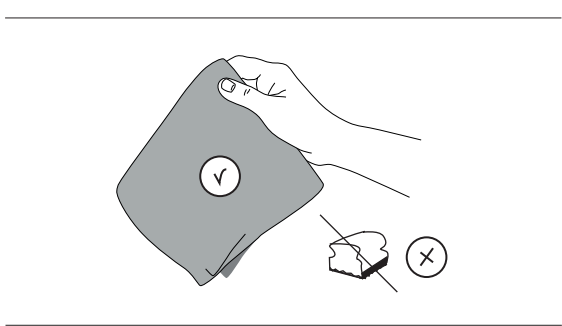




CHANGE FILTERS (spare into the box)

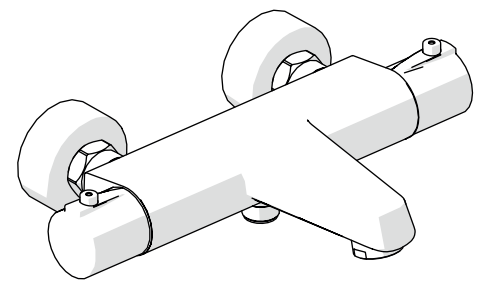


CLEANING



IISTRSY97010/1#--STD

NOBILIS
The Best Technology for Water



SY97010/1

www.grupponobili.it

REV02/2013

9

