

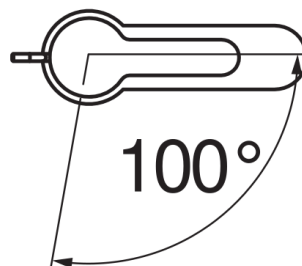
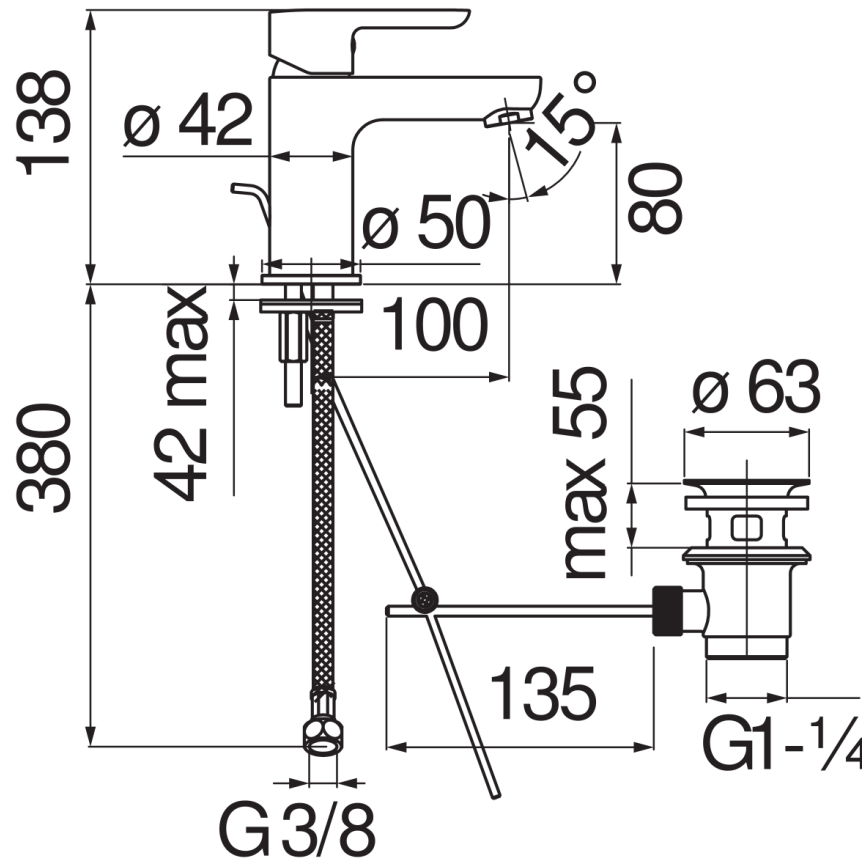


SPECIFICATIONS

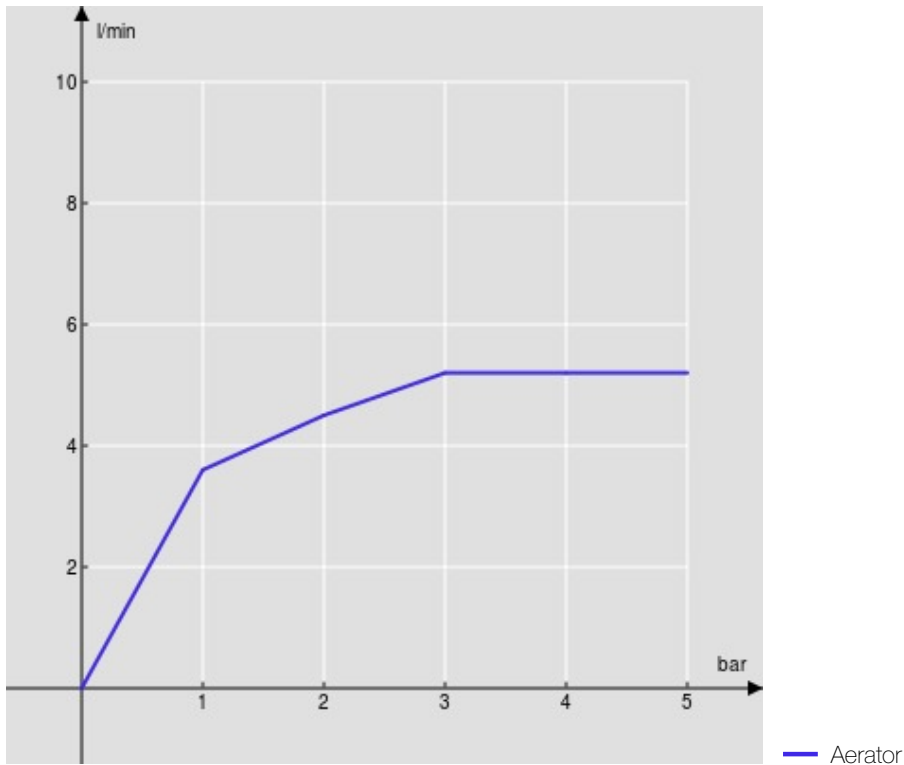
Energy and water saving single control
Chrome
Anti limescale aerator M 24 x 1, flow rate 5 l/min
1 1/4" waste with patented SNAP system
ø 3/8" stainless steel flexible pipe
Energy saving system with cold water side opening
Packaging: 41,5 x 16 x 7,5 cm / 0,00498 m³ / 1,66 kg

CERTIFICATIONS





FLOW RATE DIAGRAM: HOT/COLD WATER



FLOW RATE DIAGRAM: MIXED WATER

