



SPECIFICATIONS

External single control mixer tap with shower set

Chrome

Anti limescale aerator M 21,5 x 1

Auto return deviator

Fixed hand shower support

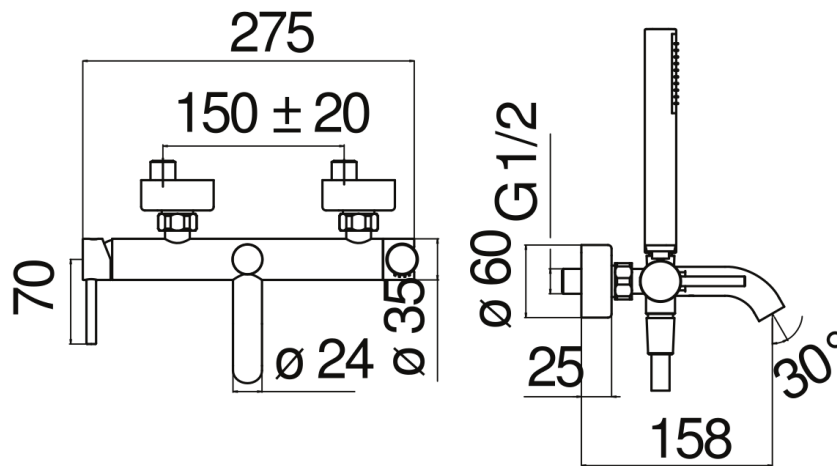
Single jet hand shower and 150 cm hose

50% two step cartridge for water saving

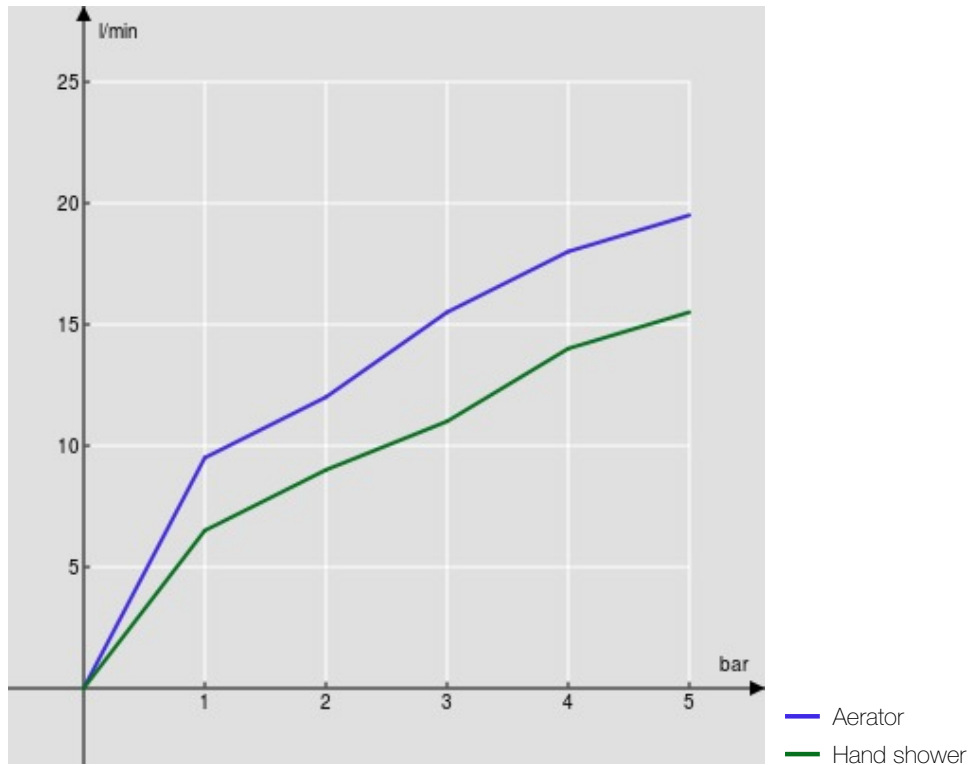
Packaging: 32 x 20 x 8,5 cm / 0,00544 m³ / 2,44 kg

CERTIFICATIONS





FLOW RATE DIAGRAM: HOT/COLD WATER



FLOW RATE DIAGRAM: MIXED WATER

