



#### SPECIFICATIONS

Single control long spout

Chrome

Anti limescale aerator M 16,5 x 1

1 1/4" waste with patented SNAP system

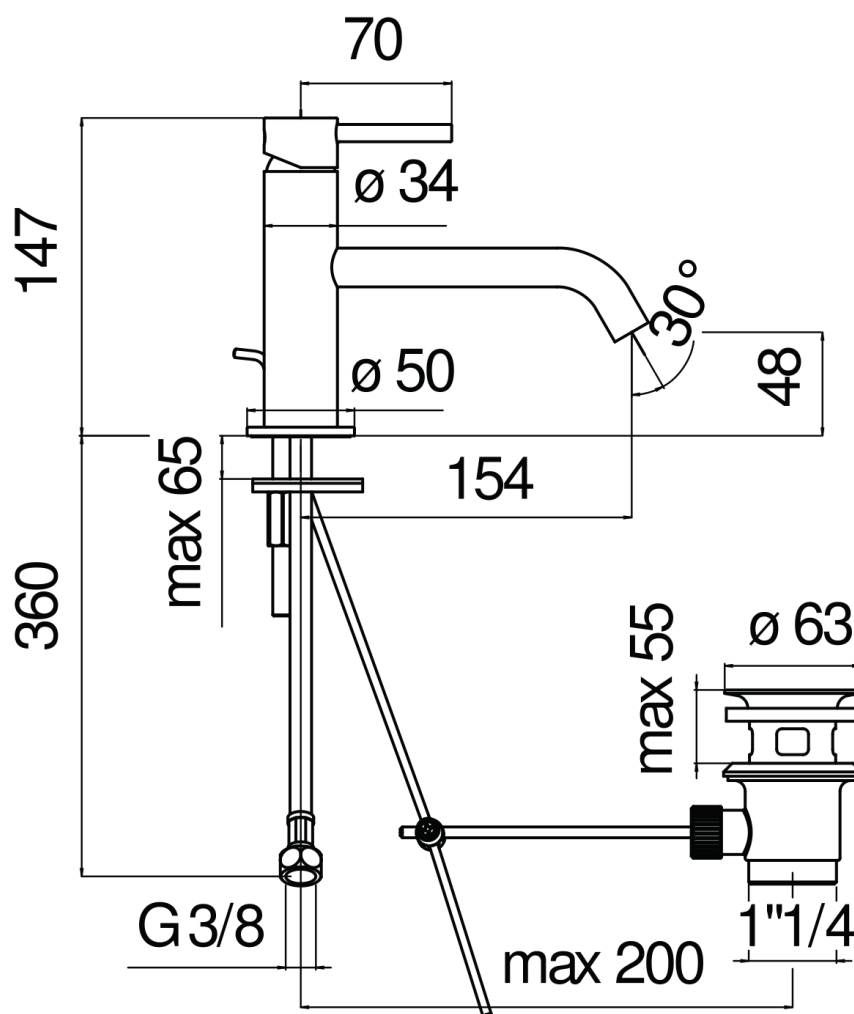
ø 3/8" stainless steel flexible pipe

50% two step cartridge for water saving

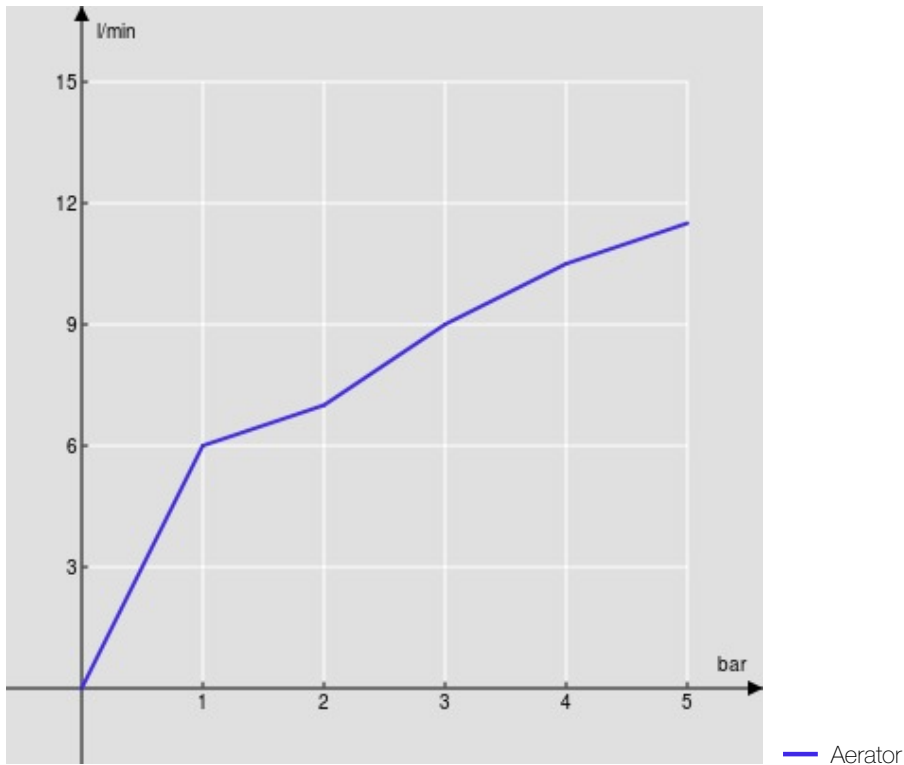
Packaging: 41,5 x 21,2 x 7,8 cm / 0,00686 m<sup>3</sup> / 1,4 kg

#### CERTIFICATIONS





FLOW RATE DIAGRAM: HOT/COLD WATER



FLOW RATE DIAGRAM: MIXED WATER

