

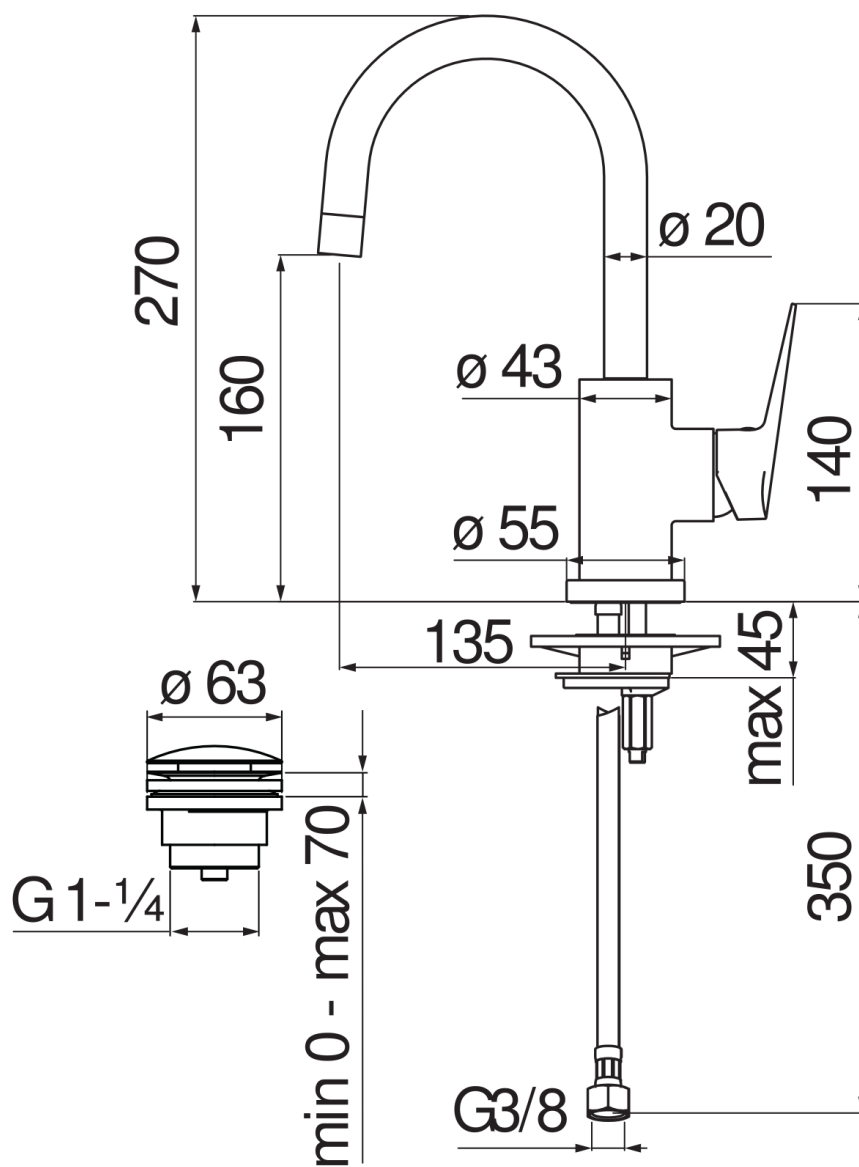


SPECIFICATIONS

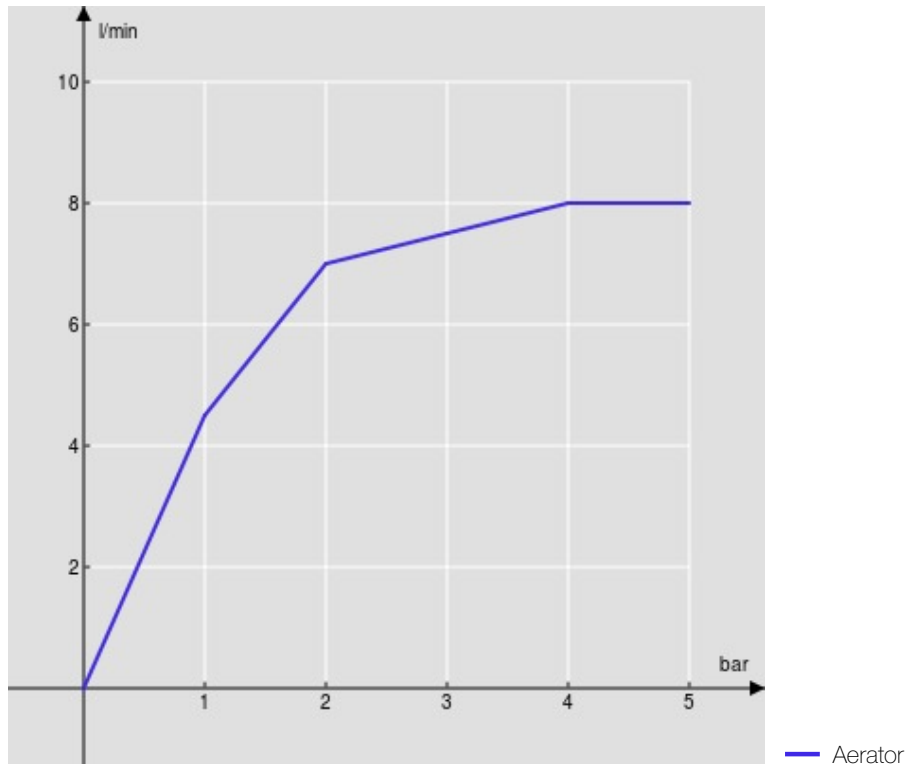
Single control
Chrome
Anti limescale aerator M 16 x 1
360° swivel spout
1 1/4" push waste
ø 3/8" stainless steel flexible pipe
50% two step cartridge for water saving
Packaging: 56,5 x 29 x 7,1 cm / 0,01163 m³ / 2,63 kg

CERTIFICATIONS





FLOW RATE DIAGRAM: HOT/COLD WATER



FLOW RATE DIAGRAM: MIXED WATER

