



SPECIFICATIONS

Wall mounted 3 hole set external part

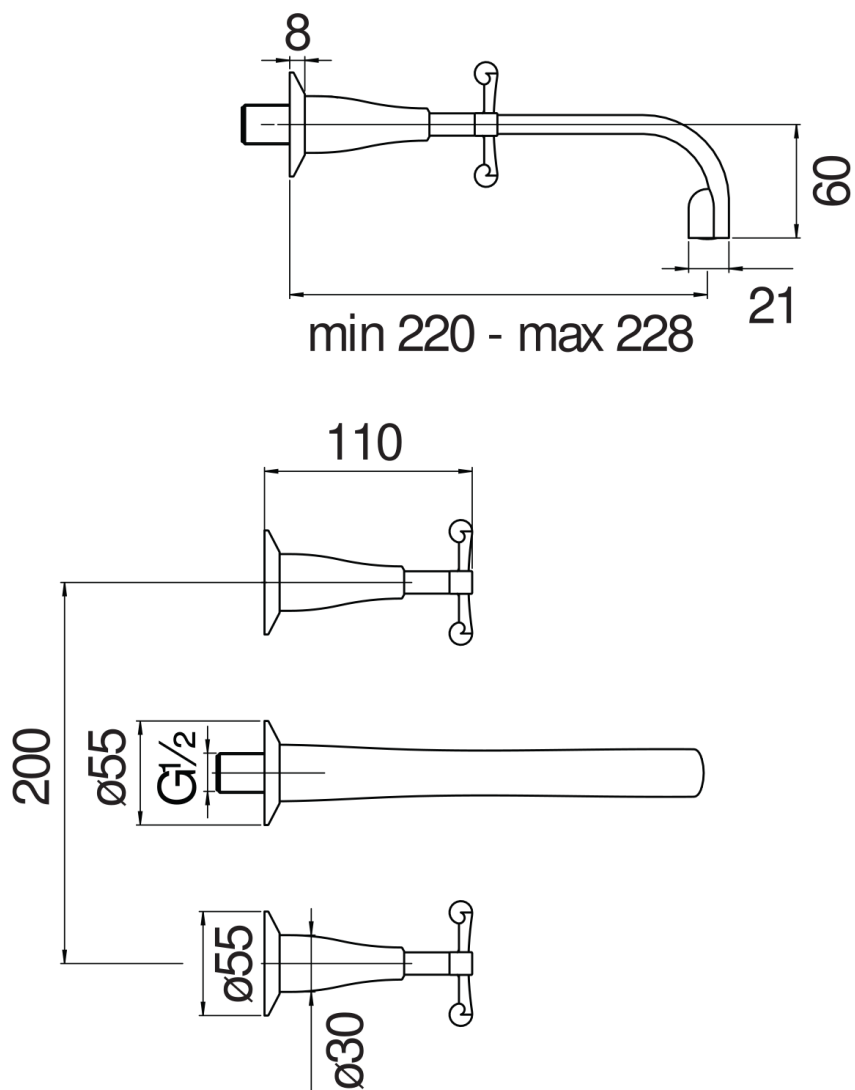
Chrome

Anti limescale aerator M 16,5 x 1

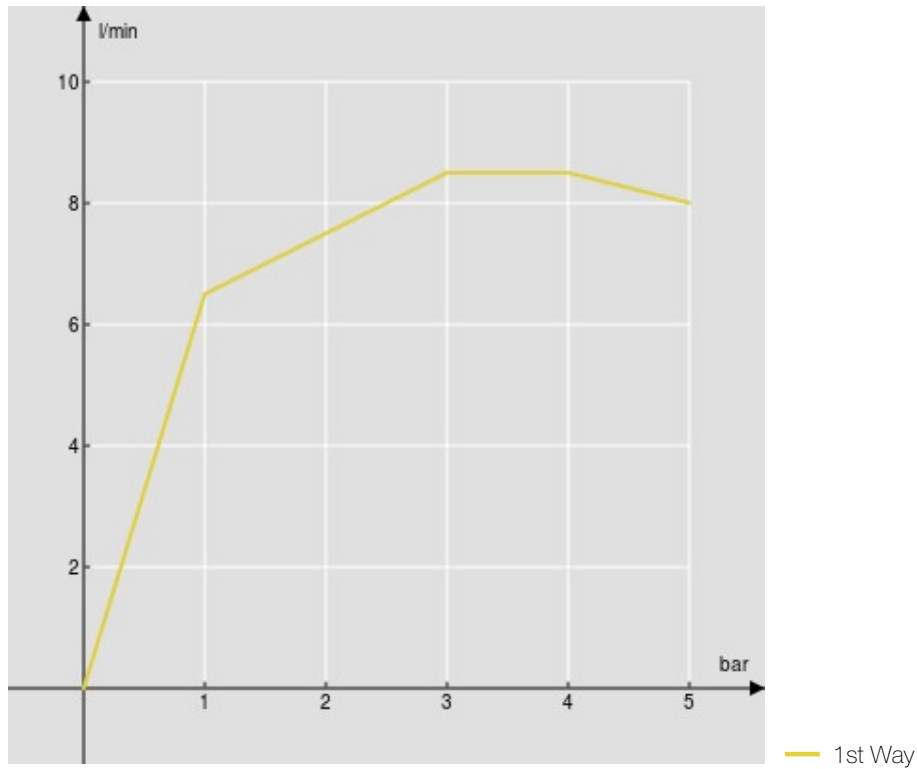
Length of spout: min 220 - max 228 mm

Without waste

Packaging: 37,1 x 23,7 x 11 cm / 0,00967 m³ / 2,36 kg



FLOW RATE DIAGRAM: HOT/COLD WATER



FLOW RATE DIAGRAM: MIXED WATER

