

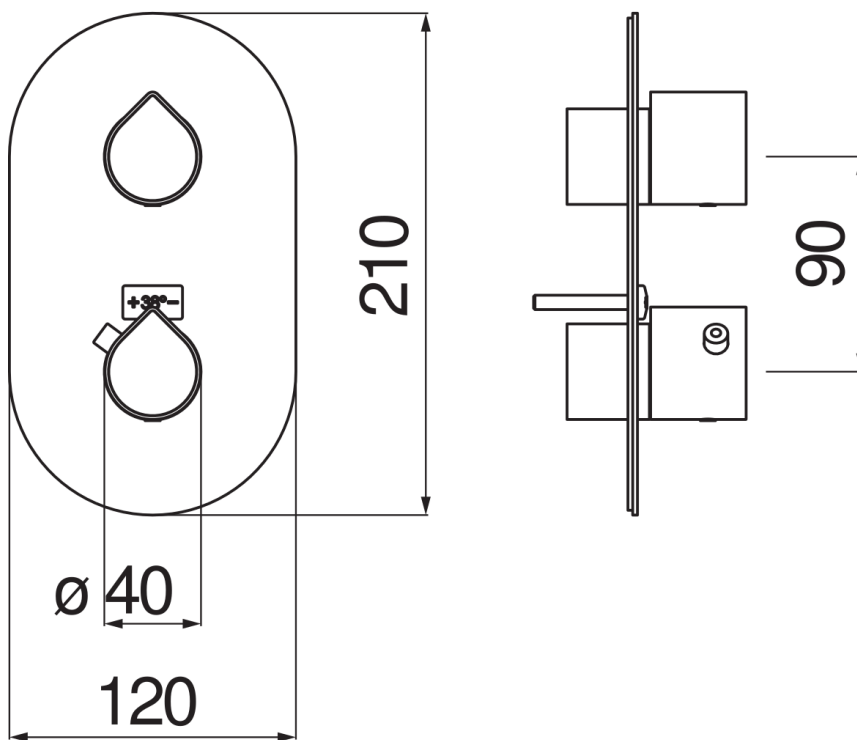


SPECIFICATIONS

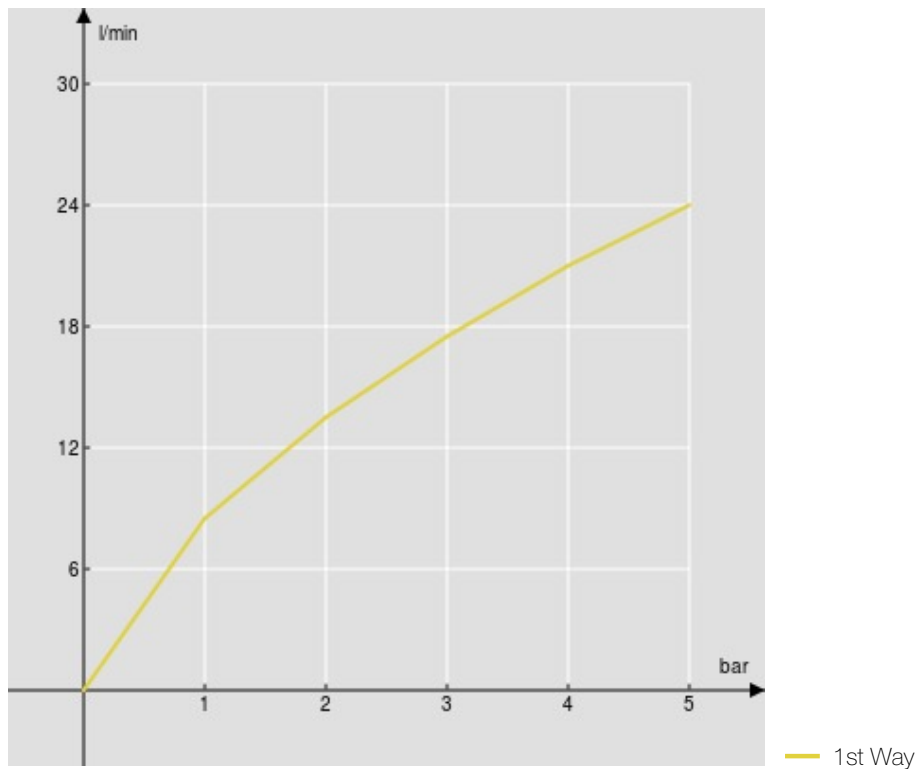
1-way external part
Inox T.E.A.+
38° C safety cut-out
Vertical or horizontal assembly
Packaging: 33 x 17 x 7 cm / 0,003927 m³ / 1,2 kg

CERTIFICATIONS





FLOW RATE DIAGRAM: HOT/COLD WATER



FLOW RATE DIAGRAM: MIXED WATER

