

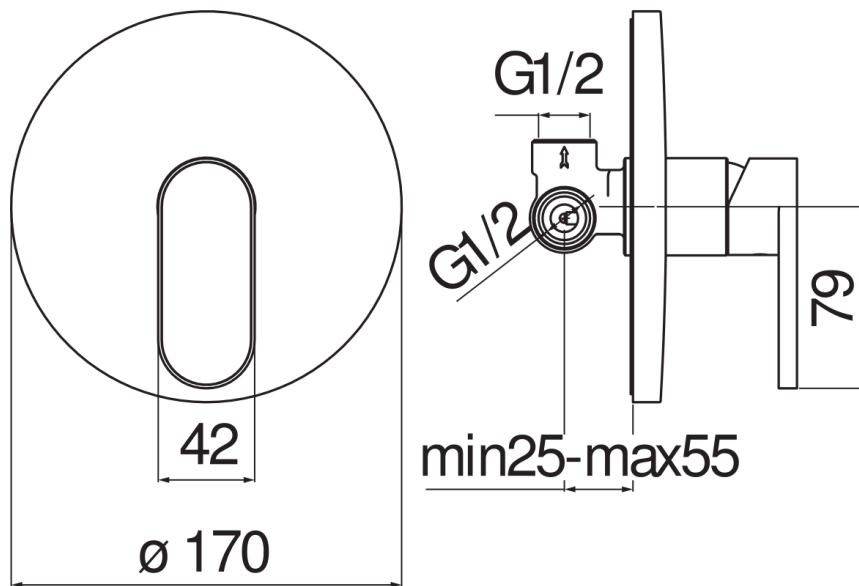


#### SPECIFICATIONS

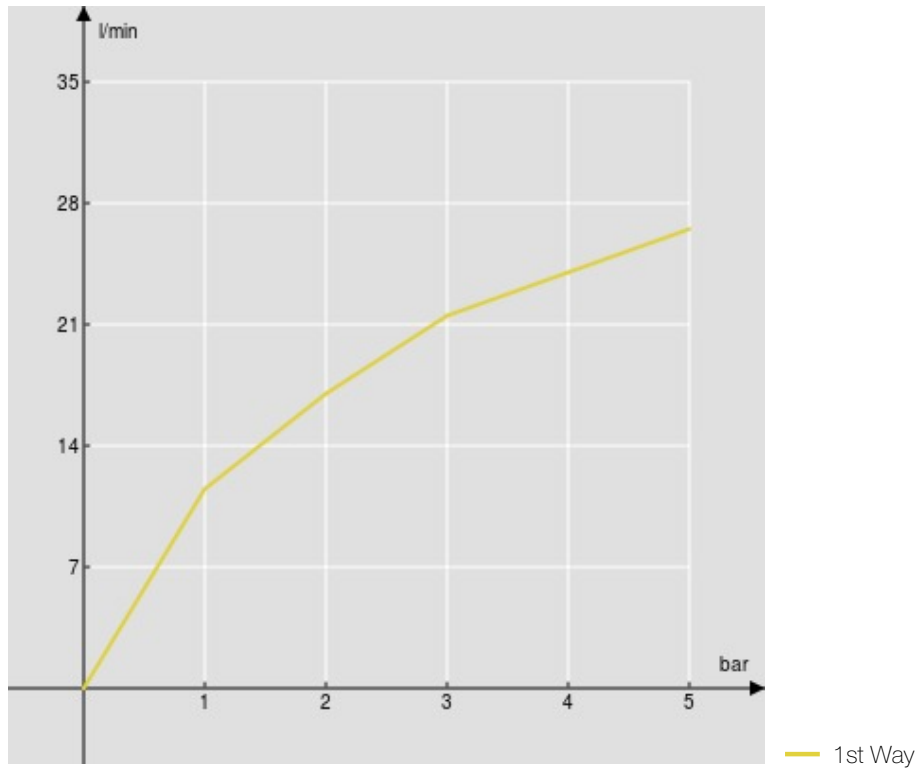
Built-in 1-way single control mixer  
Chrome  
Invisible o-ring resistance  
Waterproof wall fixing  
External part and flush-fit part  
50% two step cartridge for water saving  
Packaging: 16,5 x 21,5 x 17,1 cm / 0,006066 m<sup>3</sup>

#### CERTIFICATIONS





FLOW RATE DIAGRAM: HOT/COLD WATER



FLOW RATE DIAGRAM: MIXED WATER

