

SPECIFICATIONS

Wall-mounted single control external part

Chrome

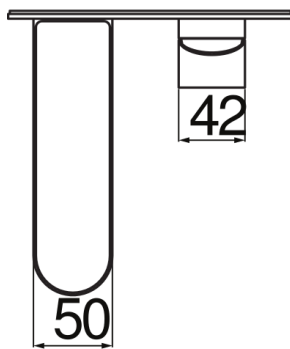
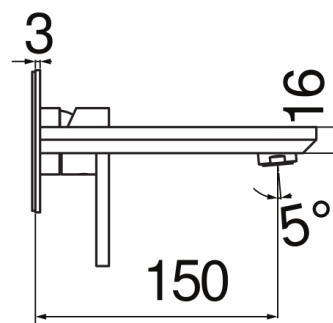
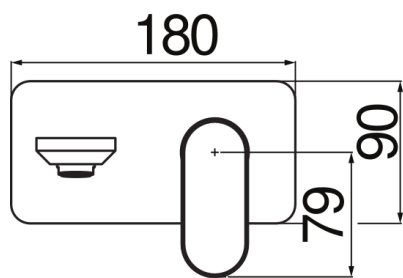
Anti limescale aerator M 24 x 1

Length of spout 150 mm

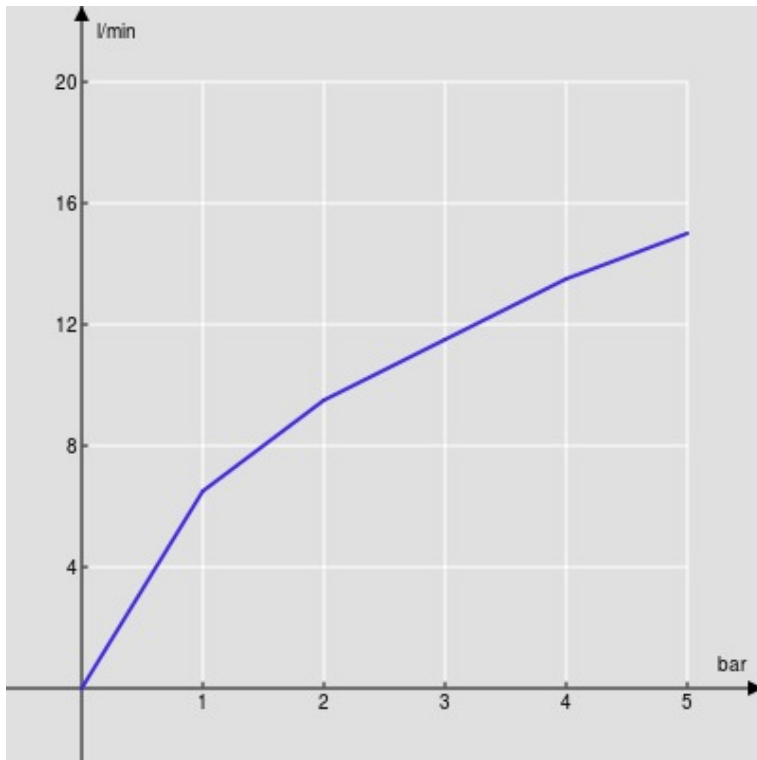
Without waste

50% two step cartridge for water saving

Packaging: 41 x 21 x 7 cm / 0,006027 m³ / 2,1 kg

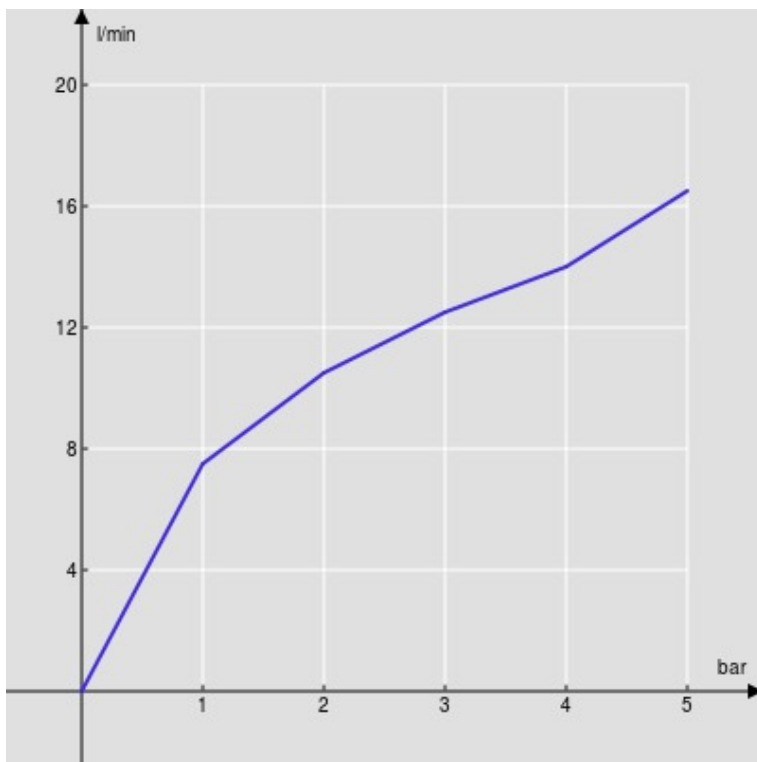


FLOW RATE DIAGRAM: HOT/COLD WATER



— Aerator

FLOW RATE DIAGRAM: MIXED WATER



— Aerator