



SPECIFICATIONS

External group with shower set

Chrome

Anti limescale aerator M 28 x 1

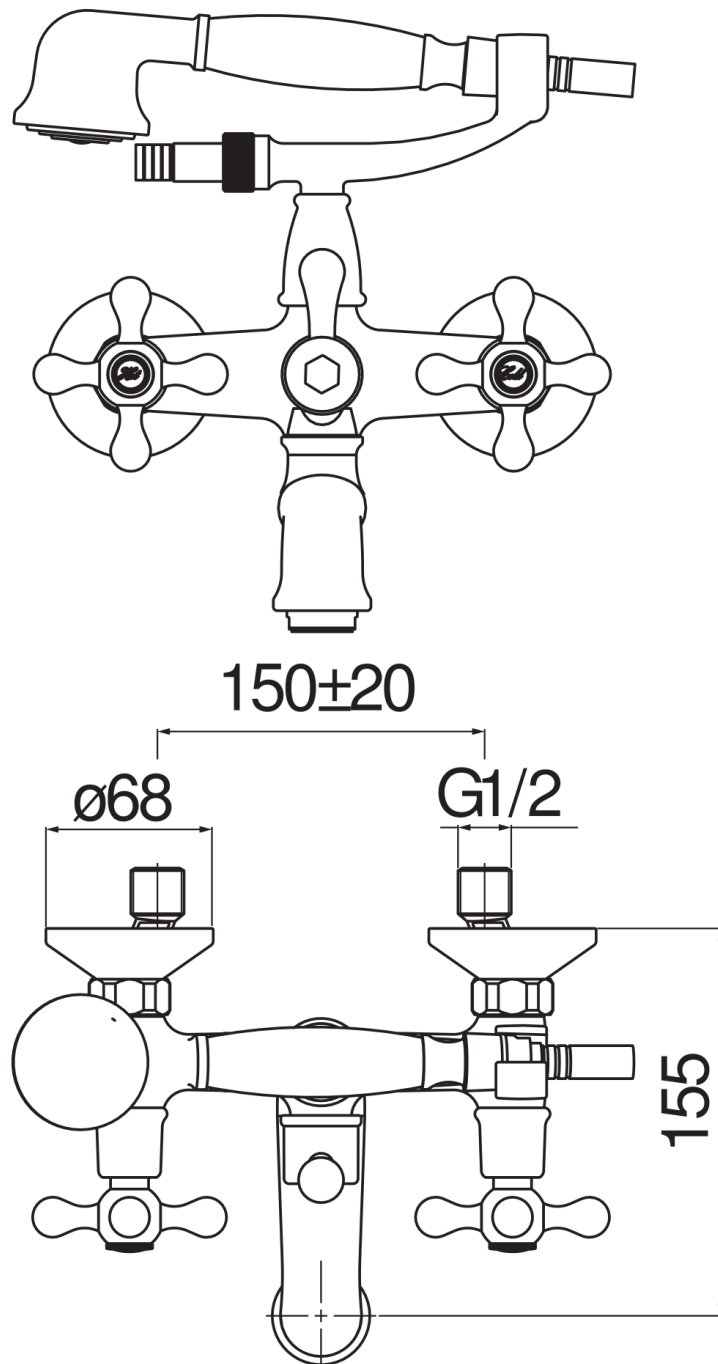
Manual deviator

Single jet hand shower and 150 cm hose

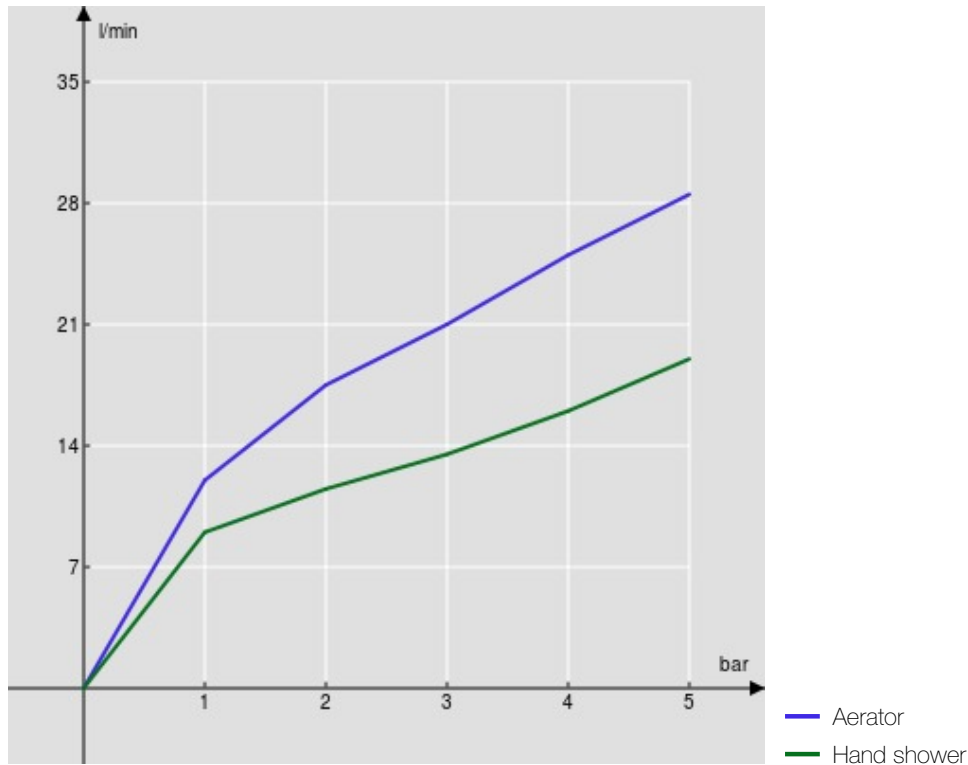
Packaging: 38,5 x 24 x 13,9 cm / 0,01284 m³ / 3,08 kg

CERTIFICATIONS





FLOW RATE DIAGRAM: HOT/COLD WATER



FLOW RATE DIAGRAM: MIXED WATER

