



SPECIFICATIONS

Dual control

Chrome

Anti limescale aerator M 22 x 1

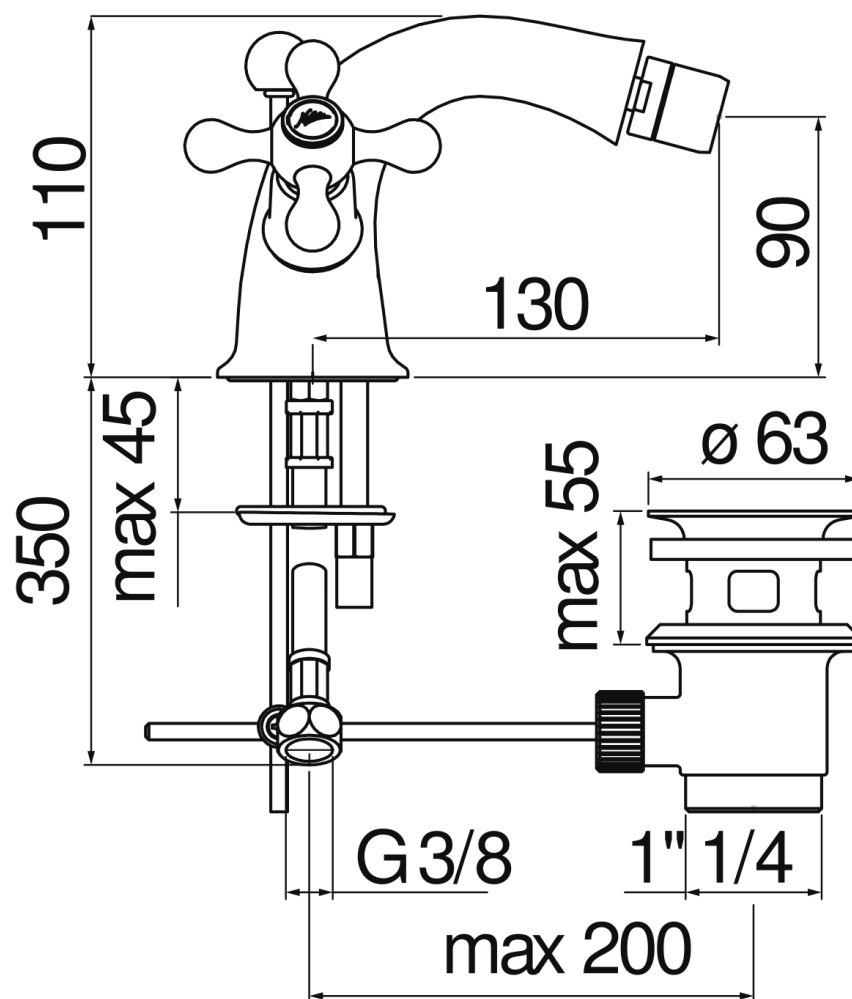
1 1/4" waste with patented SNAP system

ø 3/8" stainless steel flexible pipe

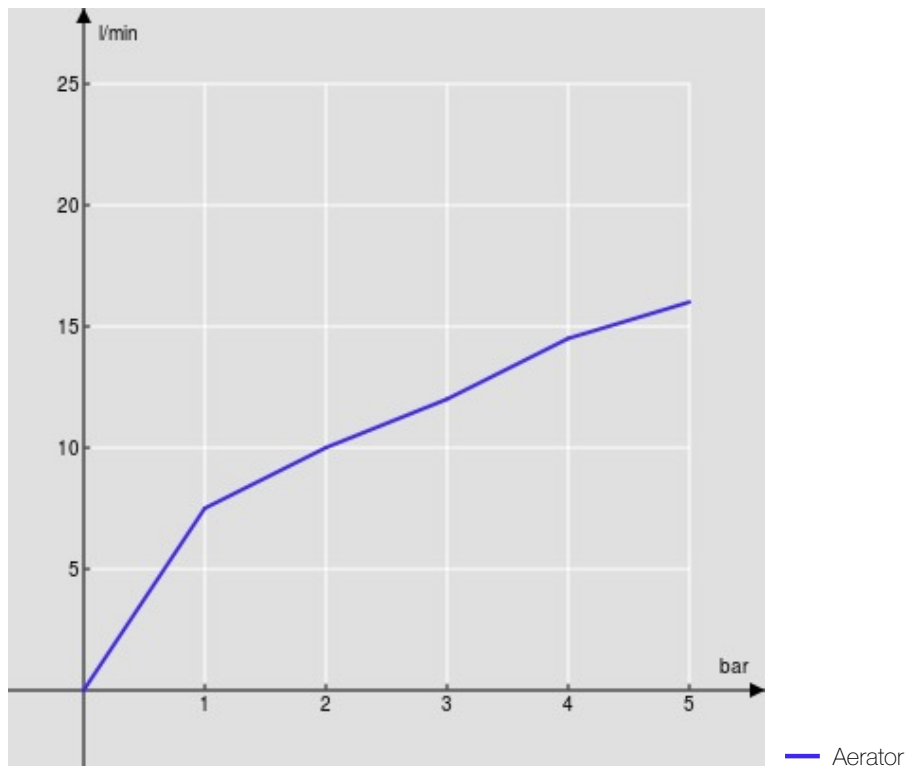
Packaging: 46,6 x 17,2 x 12 cm / 0,00962 m³ / 2,13 kg

CERTIFICATIONS





FLOW RATE DIAGRAM: HOT/COLD WATER



FLOW RATE DIAGRAM: MIXED WATER

