

SPECIFICATIONS

External single control

Chrome

Anti limescale aerator M 24 x 1

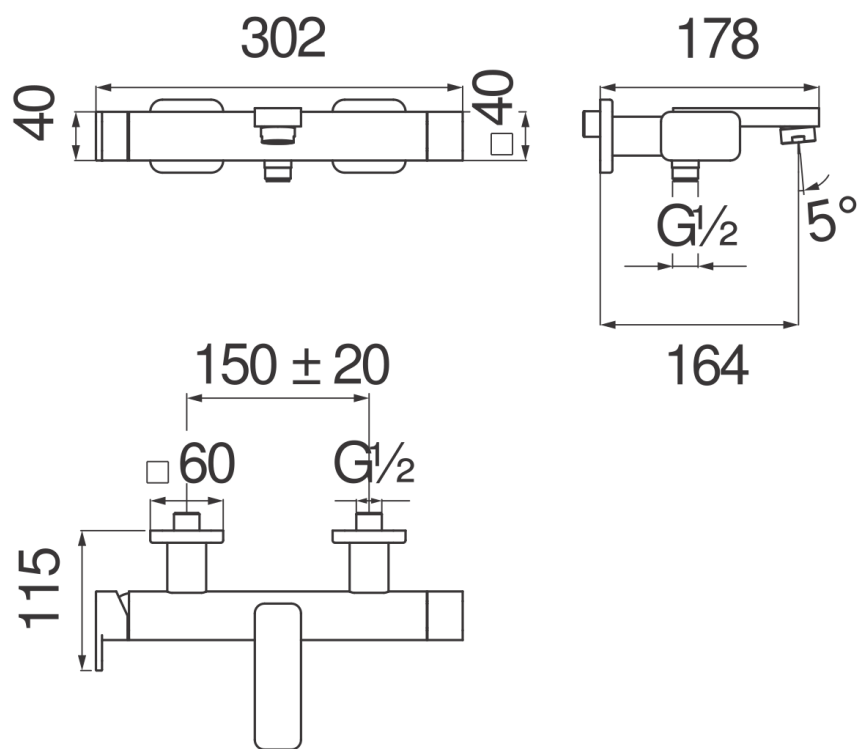
ø 1/2" outlet

50% two step cartridge for water saving

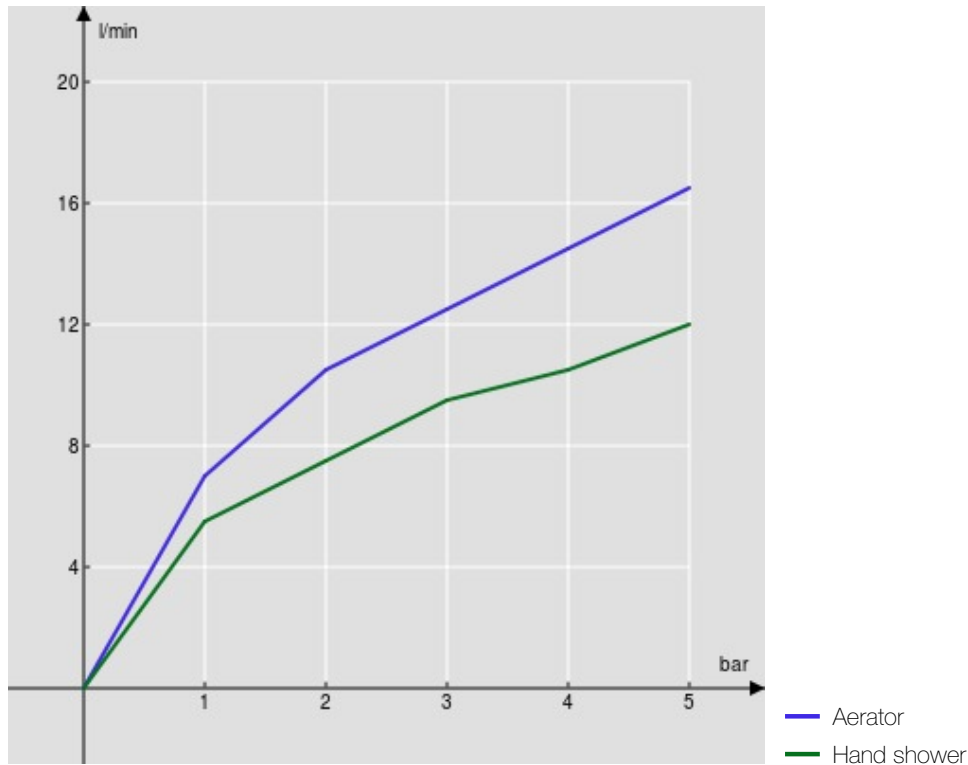
Packaging: 37,1 x 23,7 x 11 cm / 0,00967 m³ / 4,65 kg

CERTIFICATIONS





FLOW RATE DIAGRAM: HOT/COLD WATER



FLOW RATE DIAGRAM: MIXED WATER

