



SPECIFICATIONS

3-hole set

Chrome

Anti limescale aerator M 22 x 1

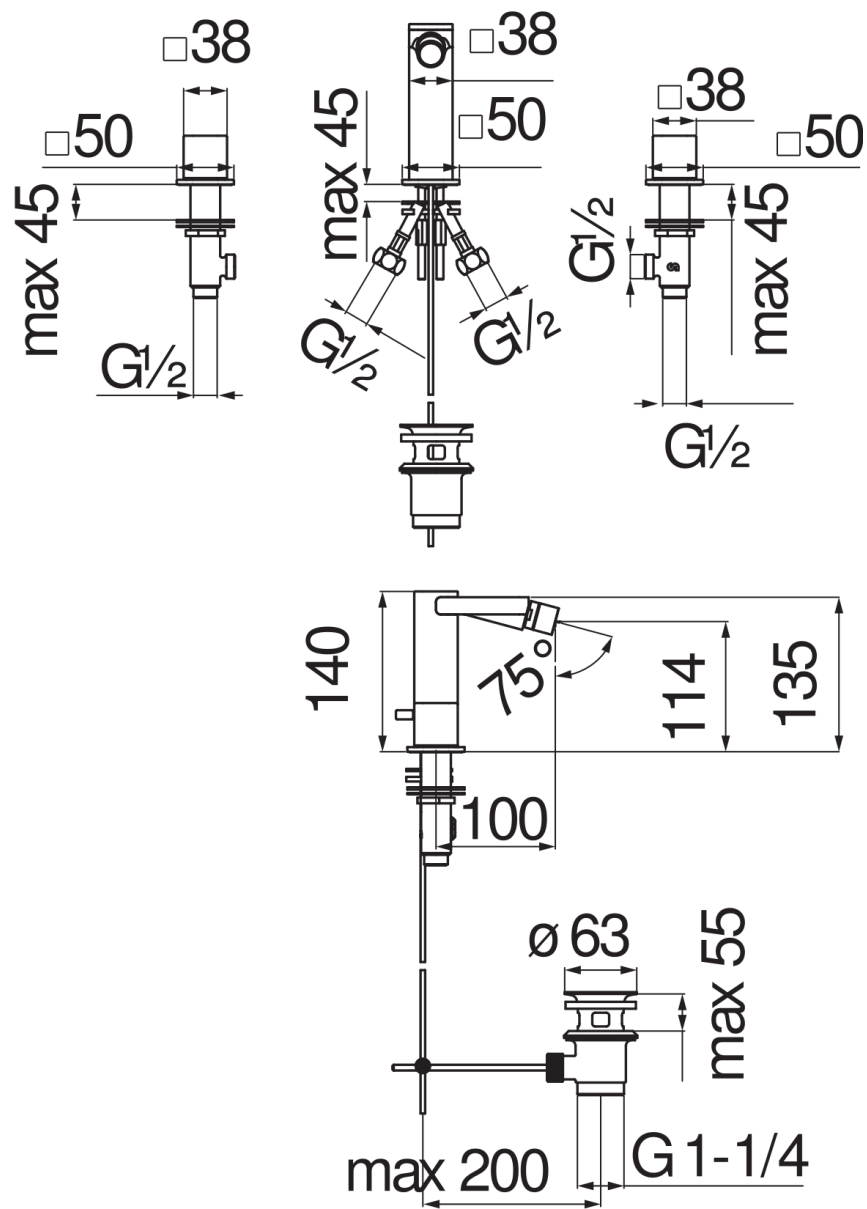
Swivel jet

1 1/4" waste with patented SNAP system

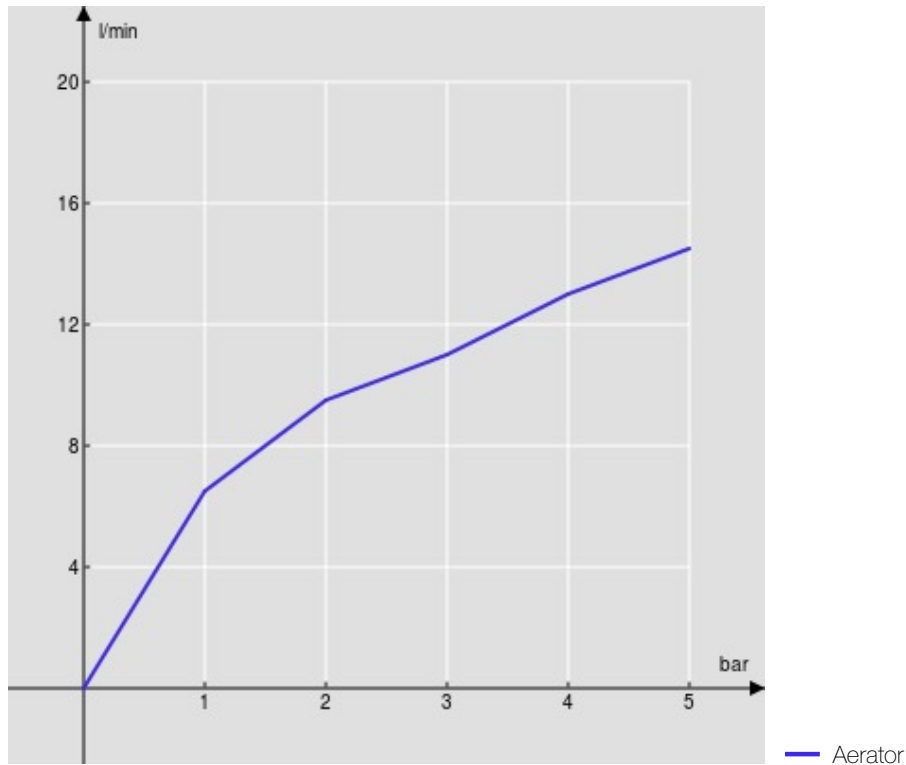
Packaging: 56,5 x 29 x 7,1 cm / 0,01163 m³ / 4,07 kg

CERTIFICATIONS





FLOW RATE DIAGRAM: HOT/COLD WATER



FLOW RATE DIAGRAM: MIXED WATER

