

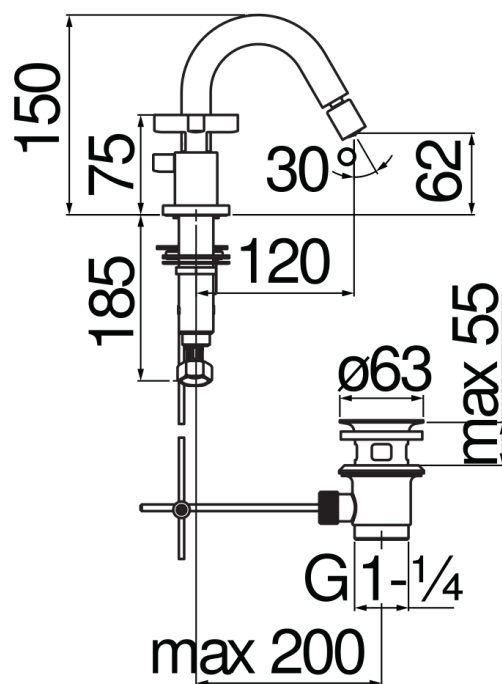
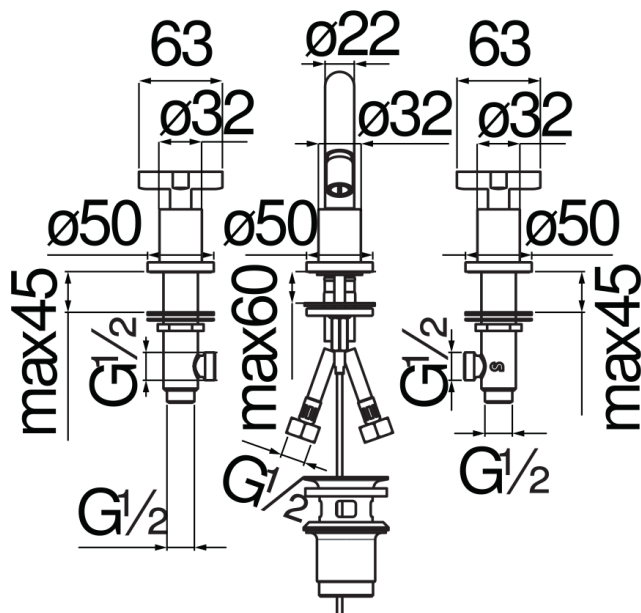


SPECIFICATIONS

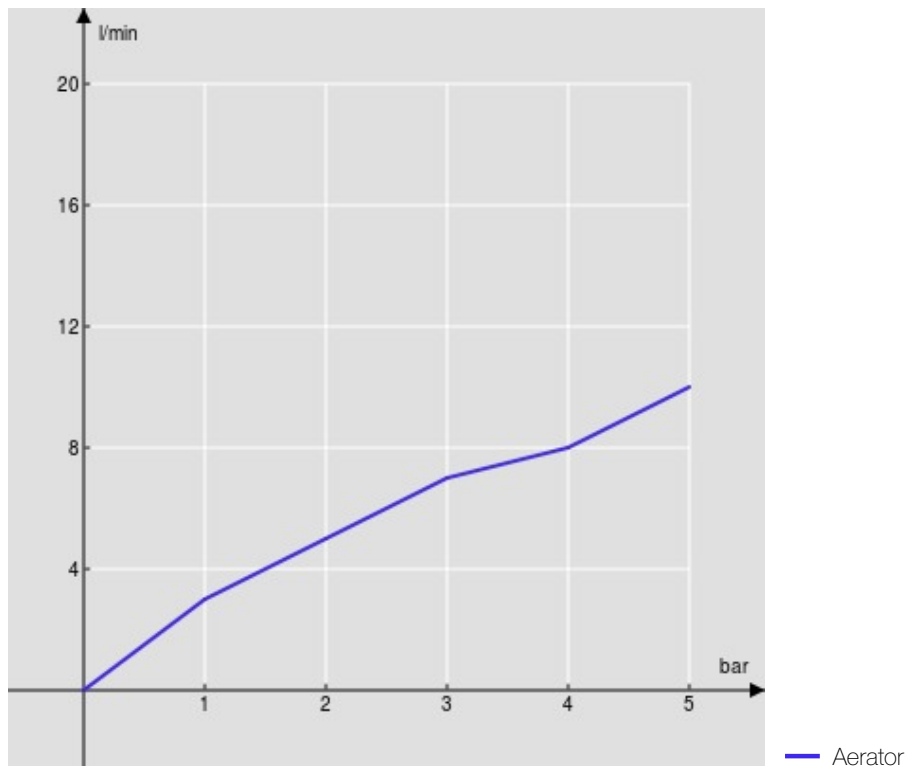
3-hole set
Velvet black
Anti limescale aerator M 18,5 x 1
Swivel spout
Swivel jet
1 1/4" waste with patented SNAP system
ø 3/8" stainless steel flexible pipe
Packaging: 56,5 x 29 x 7,1 cm / 0,011633 m³ / 3,138 kg

CERTIFICATIONS





FLOW RATE DIAGRAM: HOT/COLD WATER



FLOW RATE DIAGRAM: MIXED WATER

