

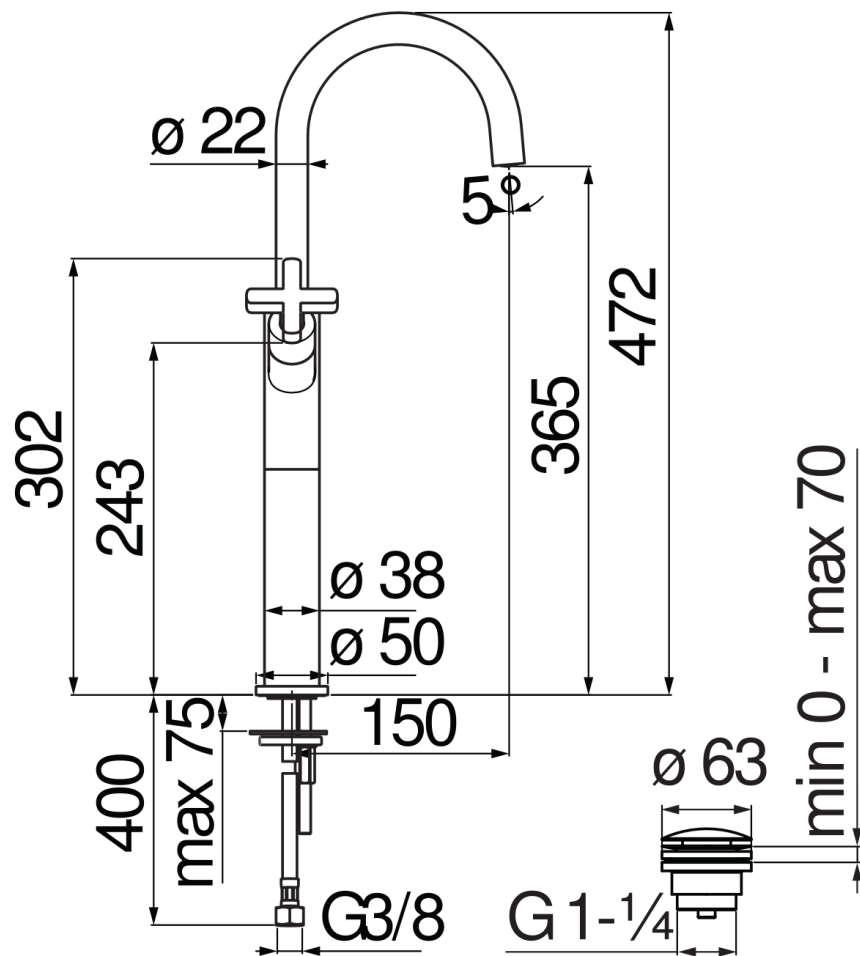


SPECIFICATIONS

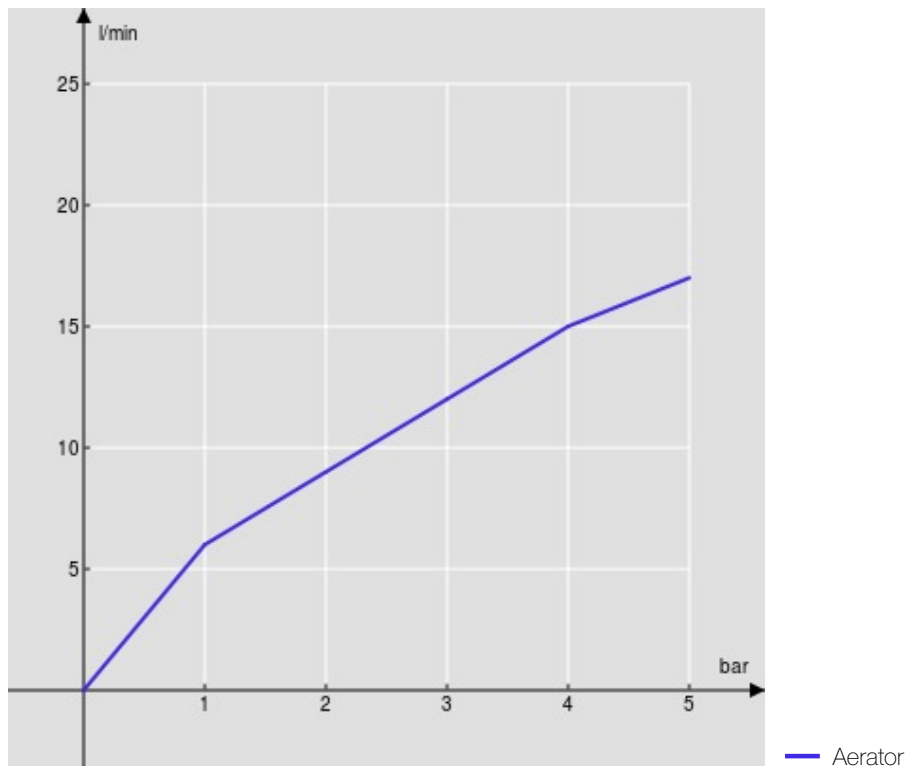
Basin single hole
Velvet black
Anti limescale aerator M 18,5 x 1
Swivel spout
1 1/4" push waste
ø 3/8" stainless steel flexible pipe
Packaging: 56,5 x 29 x 7,1 cm / 0,011633 m³ / 3,343 kg

CERTIFICATIONS





FLOW RATE DIAGRAM: HOT/COLD WATER



FLOW RATE DIAGRAM: MIXED WATER

