



#### SPECIFICATIONS

Wall-mounted single control external part

Inox

Anti limescale aerator M 22 x 1

Length of spout 150 mm

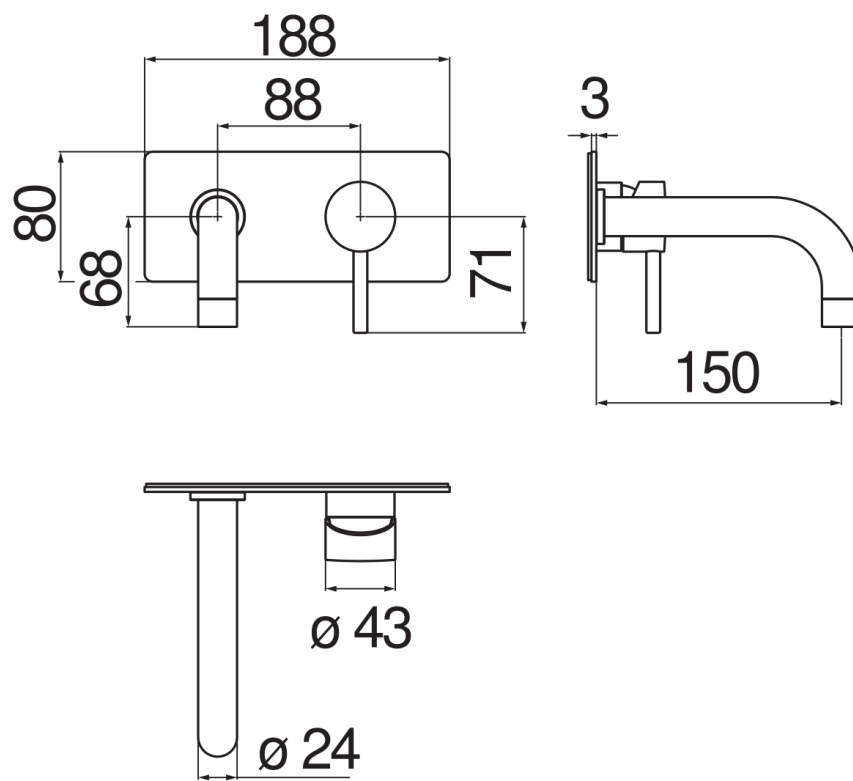
Without waste

50% two step cartridge for water saving

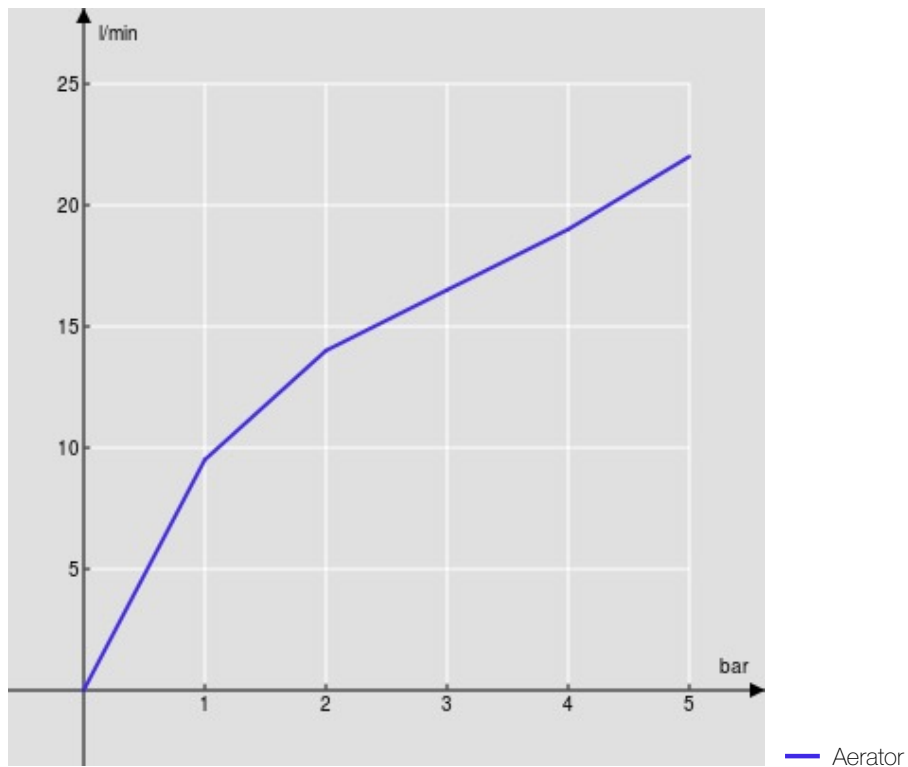
Packaging: 25,5 x 11,2 x 8,1 cm / 0,00231 m<sup>3</sup> / 2,02 kg

#### CERTIFICATIONS





FLOW RATE DIAGRAM: HOT/COLD WATER



FLOW RATE DIAGRAM: MIXED WATER

