

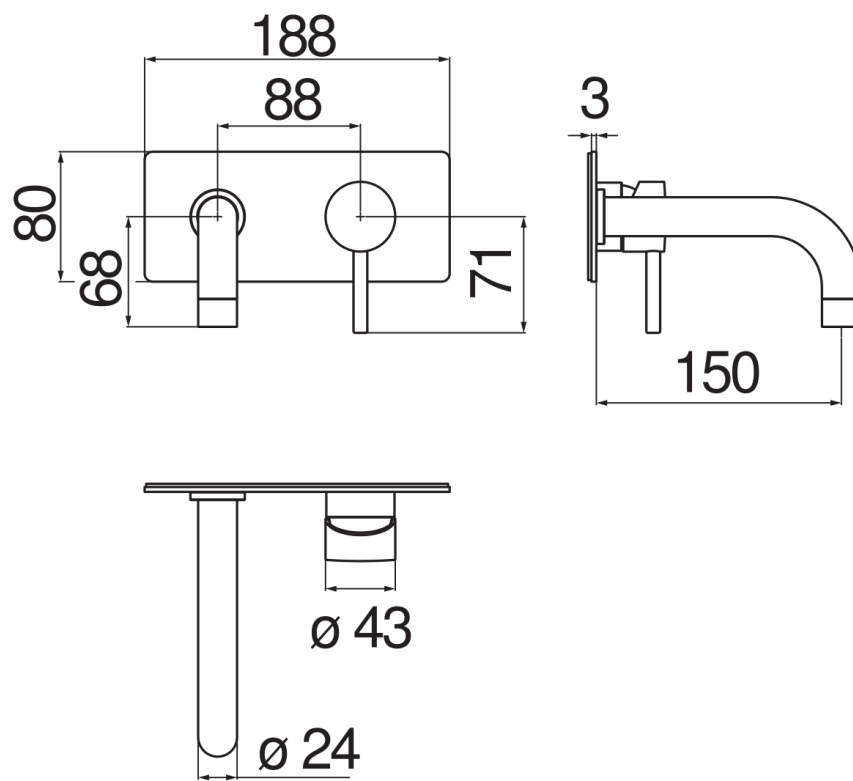


SPECIFICATIONS

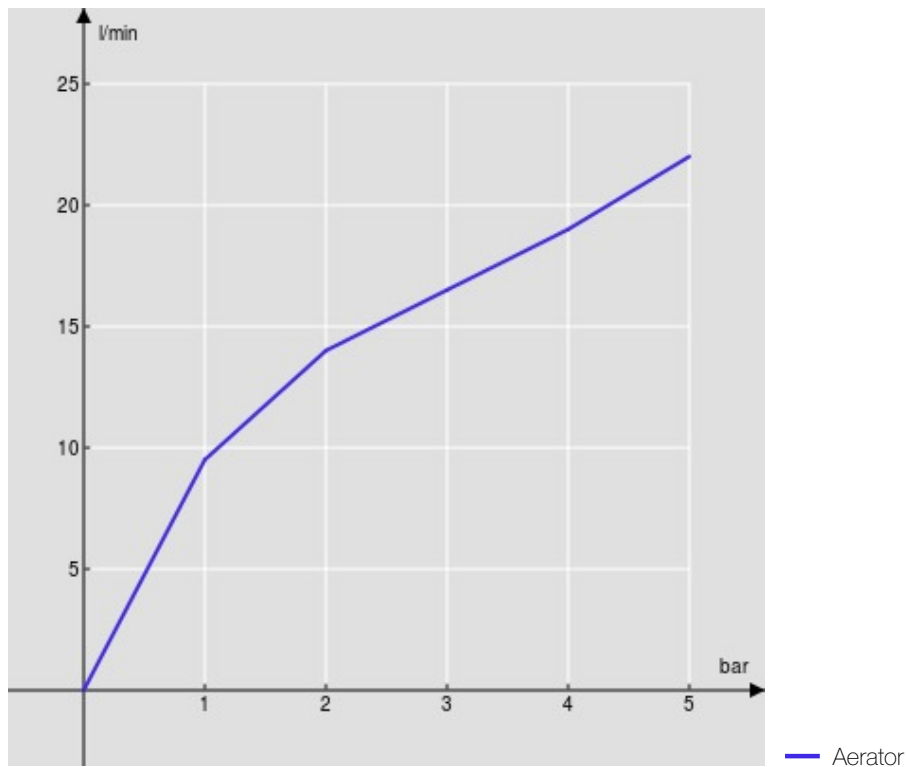
Wall-mounted single control external part
Polar white
Anti limescale aerator M 22 x 1
Length of spout 150 mm
Without waste
50% two step cartridge for water saving
Packaging: 25,5 x 11,2 x 8,1 cm / 0,00231 m³ / 2,02 kg

CERTIFICATIONS





FLOW RATE DIAGRAM: HOT/COLD WATER



FLOW RATE DIAGRAM: MIXED WATER

