



SPECIFICATIONS

External single control mixer tap with shower set

Chrome

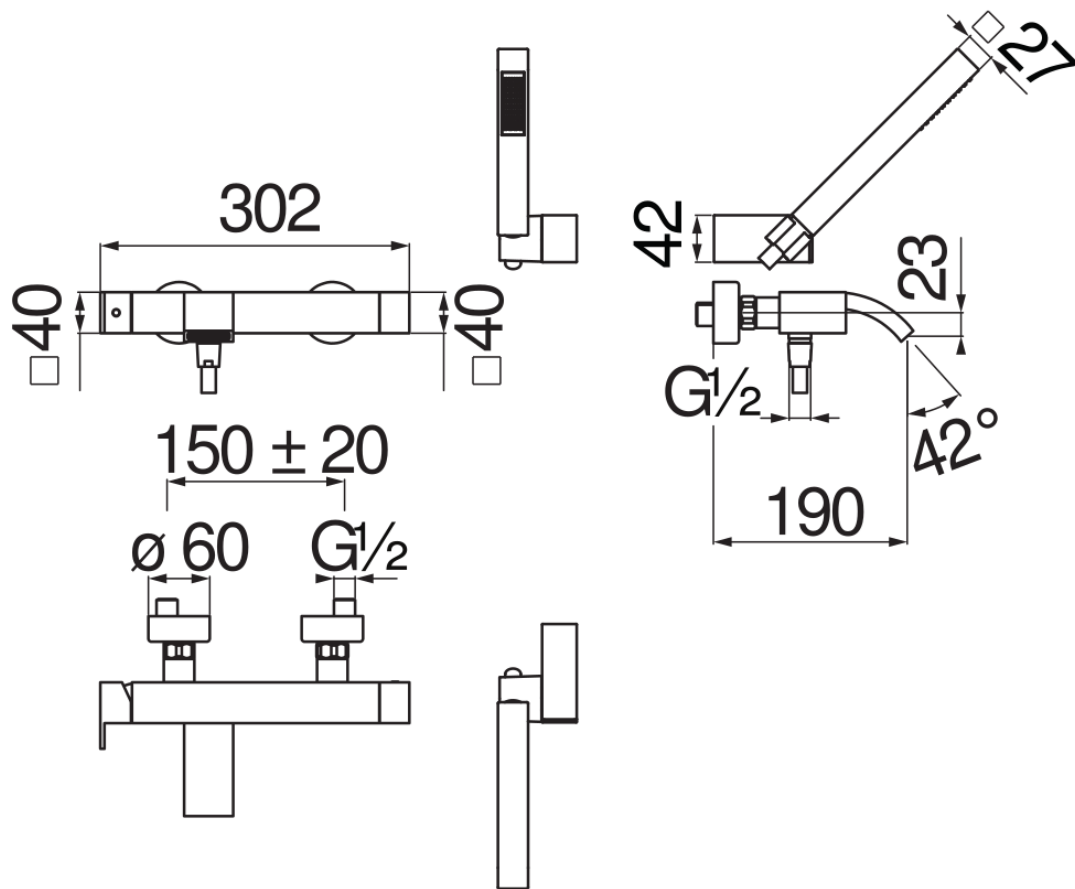
Anti limescale aerator

Adjustable hand shower support

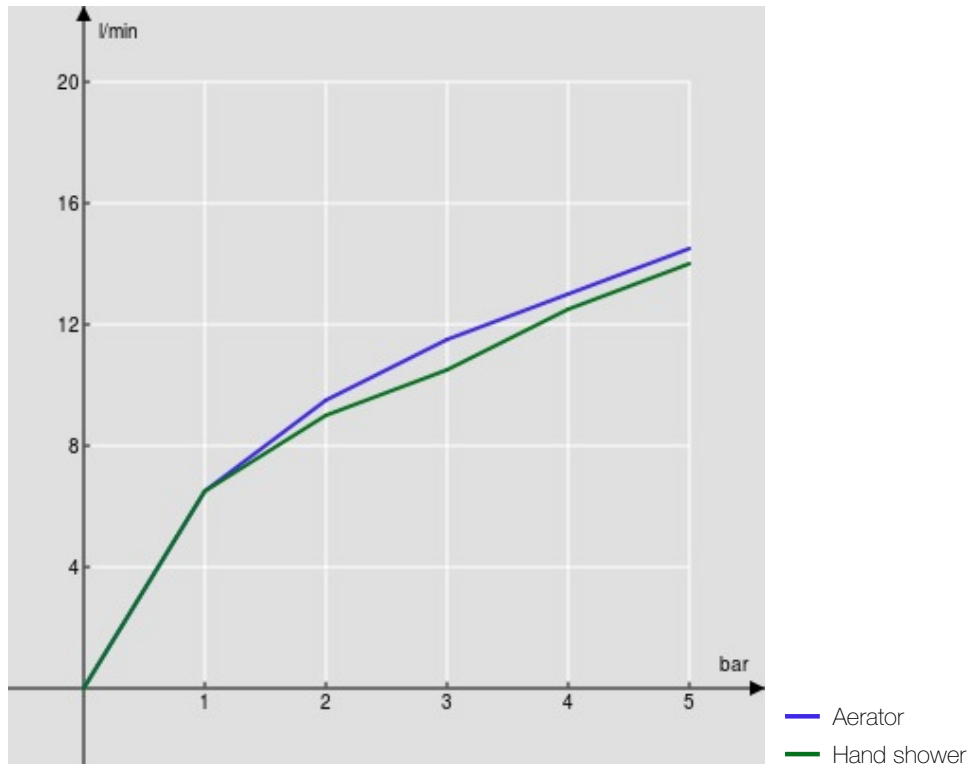
Single jet hand shower and 150 cm hose

50% two step cartridge for water saving

Packaging: 37,1 x 23,7 x 11 cm / 0,00967 m³ / 4,87 kg



FLOW RATE DIAGRAM: HOT/COLD WATER



FLOW RATE DIAGRAM: MIXED WATER

