



**SPECIFICATIONS**

Energy saving single control

Velvet black

Anti limescale aerator M 16,5 x 1

5 l/min aerator included in the package

Swivel jet

1 1/4" waste with patented SNAP system

ø 3/8" stainless steel flexible pipe

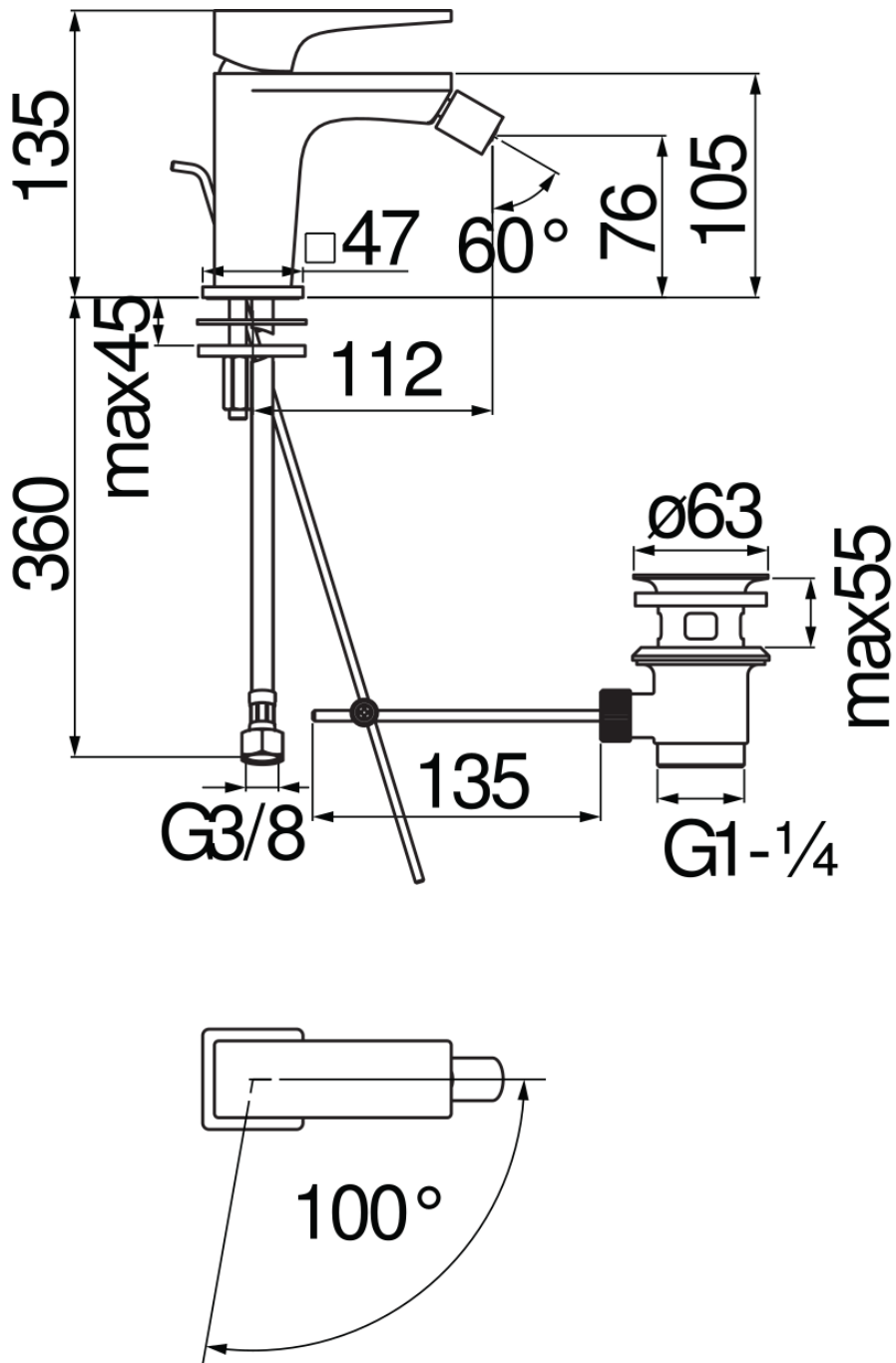
Energy saving system with cold water side opening

50% two step cartridge for water saving

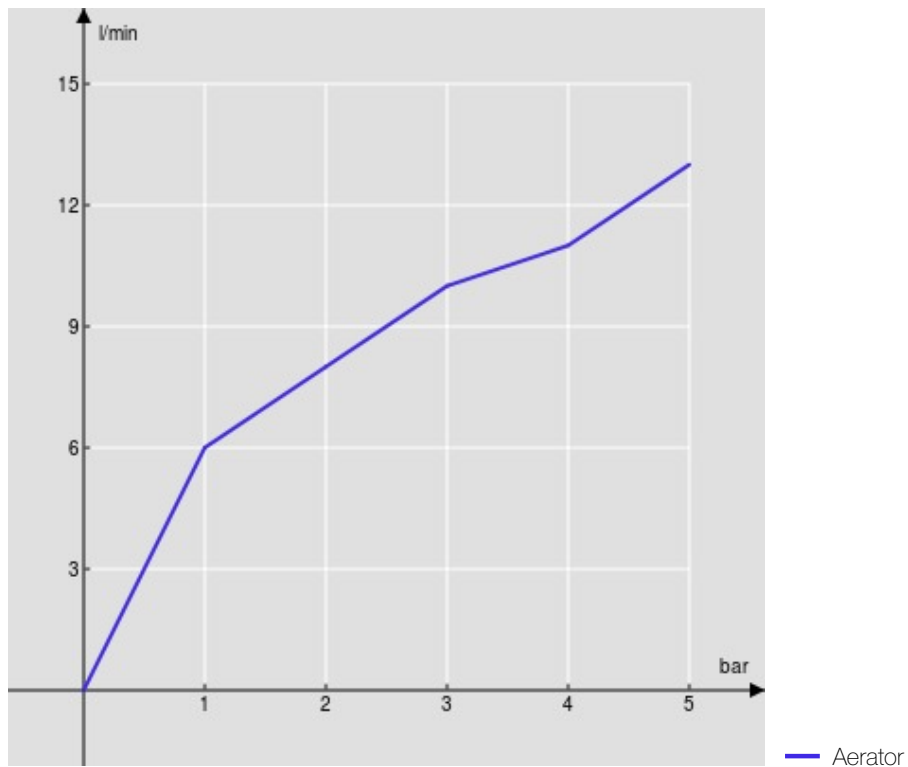
Packaging: 41,5 x 16 x 7,5 cm / 0,00498 m<sup>3</sup>

**CERTIFICATIONS**





FLOW RATE DIAGRAM: HOT/COLD WATER



FLOW RATE DIAGRAM: MIXED WATER

