

SPECIFICATIONS

External thermostatic mixer

Chrome

38° C safety cut-out

Non-return valves

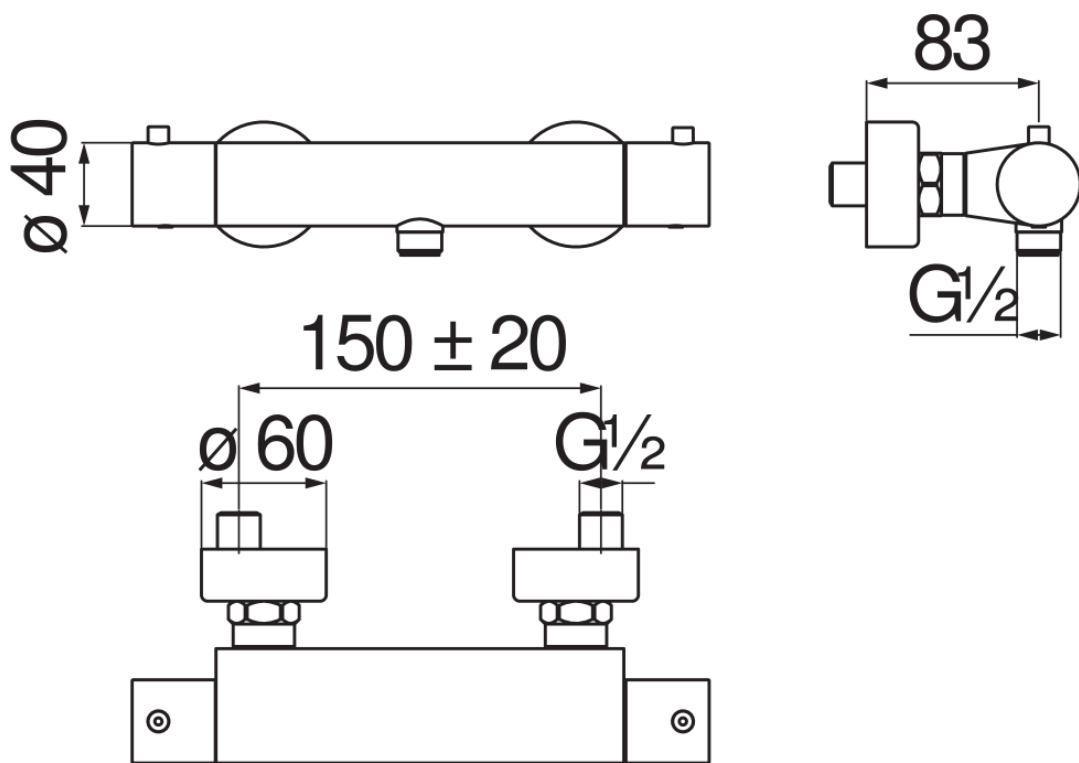
ø 1/2" outlet

Cartridge spare filters included in the package

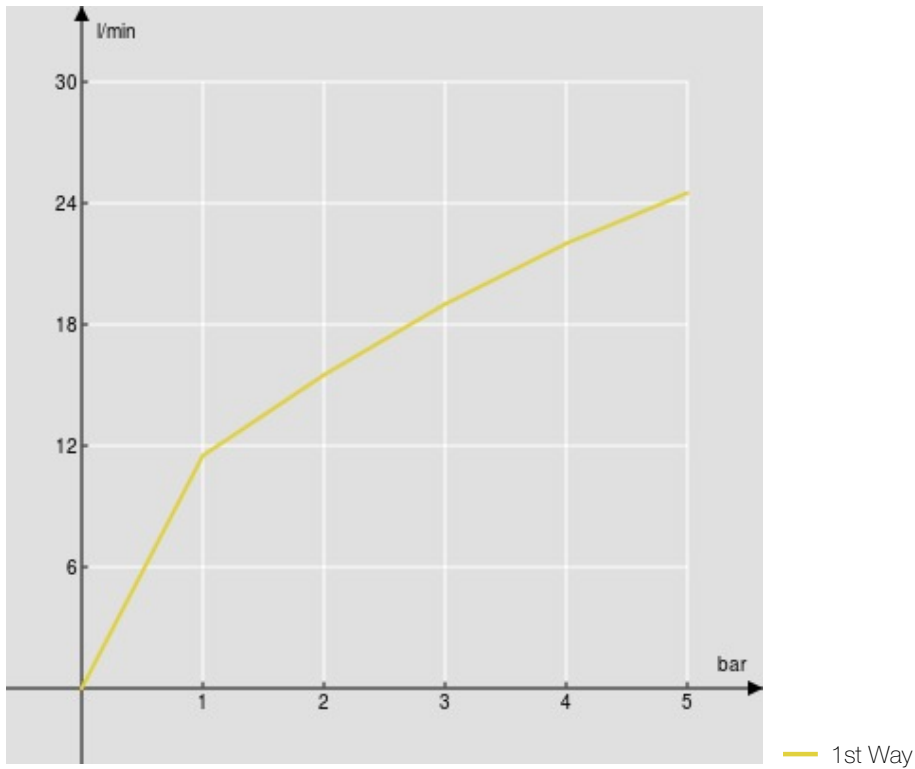
Packaging: 32 x 16,5 x 7 cm / 0,0037 m³ / 2,47 kg

CERTIFICATIONS





FLOW RATE DIAGRAM: HOT/COLD WATER



FLOW RATE DIAGRAM: MIXED WATER

