

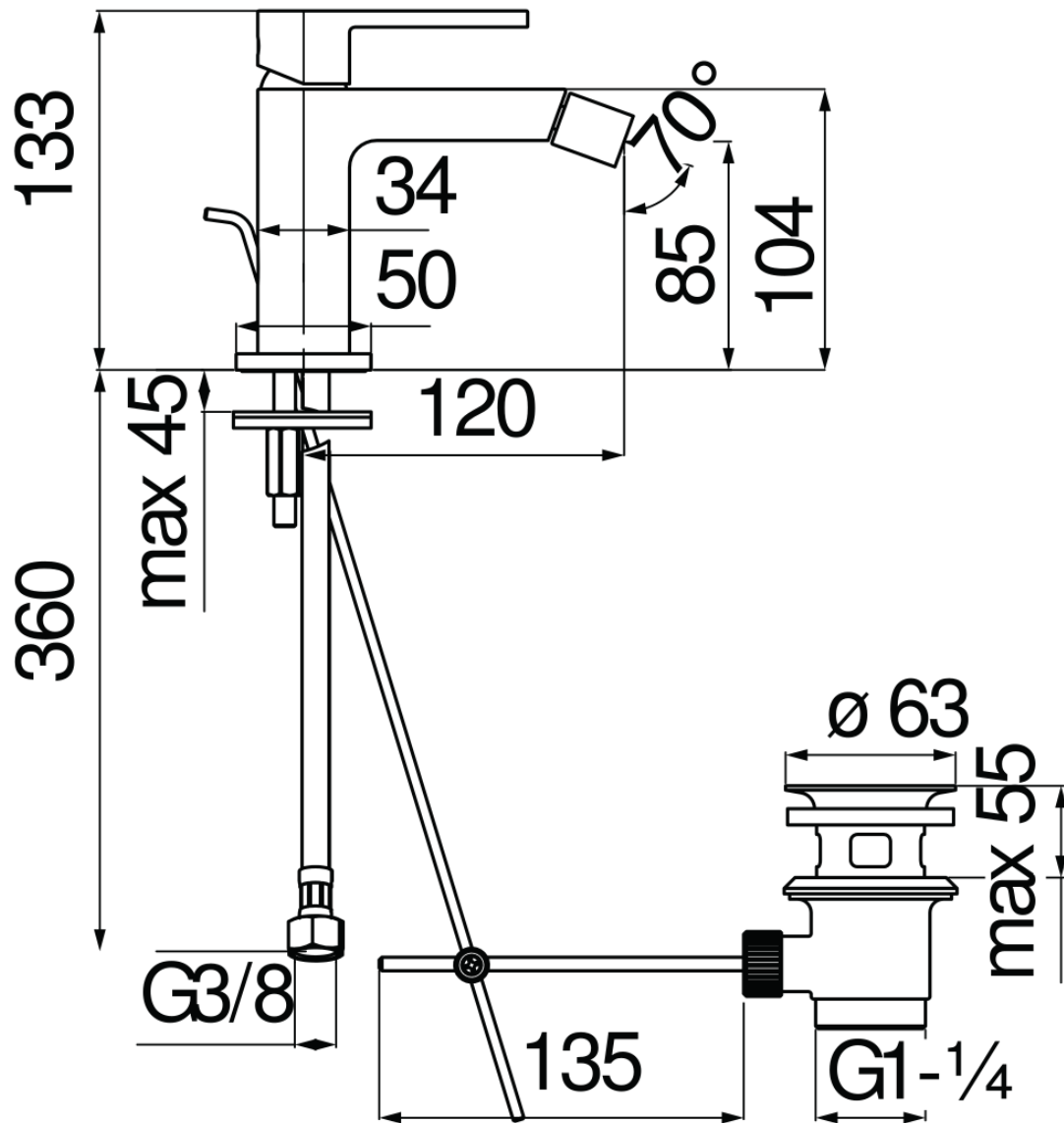


#### SPECIFICATIONS

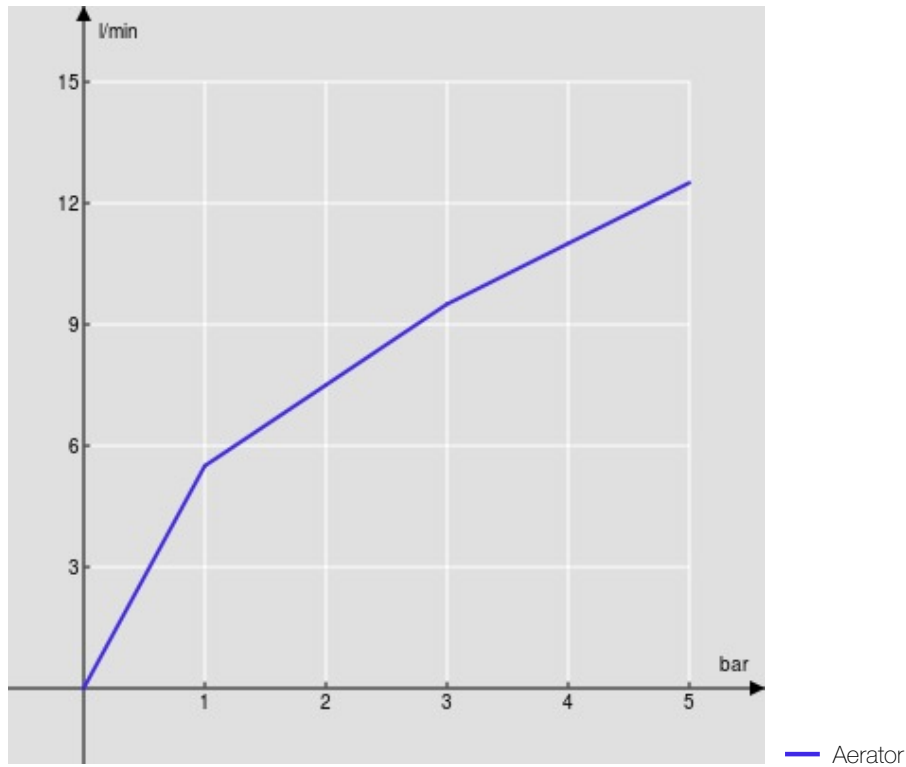
Single control  
Velvet black  
Anti limescale aerator M 16,5 x 1  
Swivel jet  
1 1/4" waste with patented SNAP system  
ø 3/8" stainless steel flexible pipe  
50% two step cartridge for water saving  
Packaging: 41 x 21 x 7 cm / 0,00603 m<sup>3</sup> / 1,72 kg

#### CERTIFICATIONS





FLOW RATE DIAGRAM: HOT/COLD WATER



FLOW RATE DIAGRAM: MIXED WATER

