

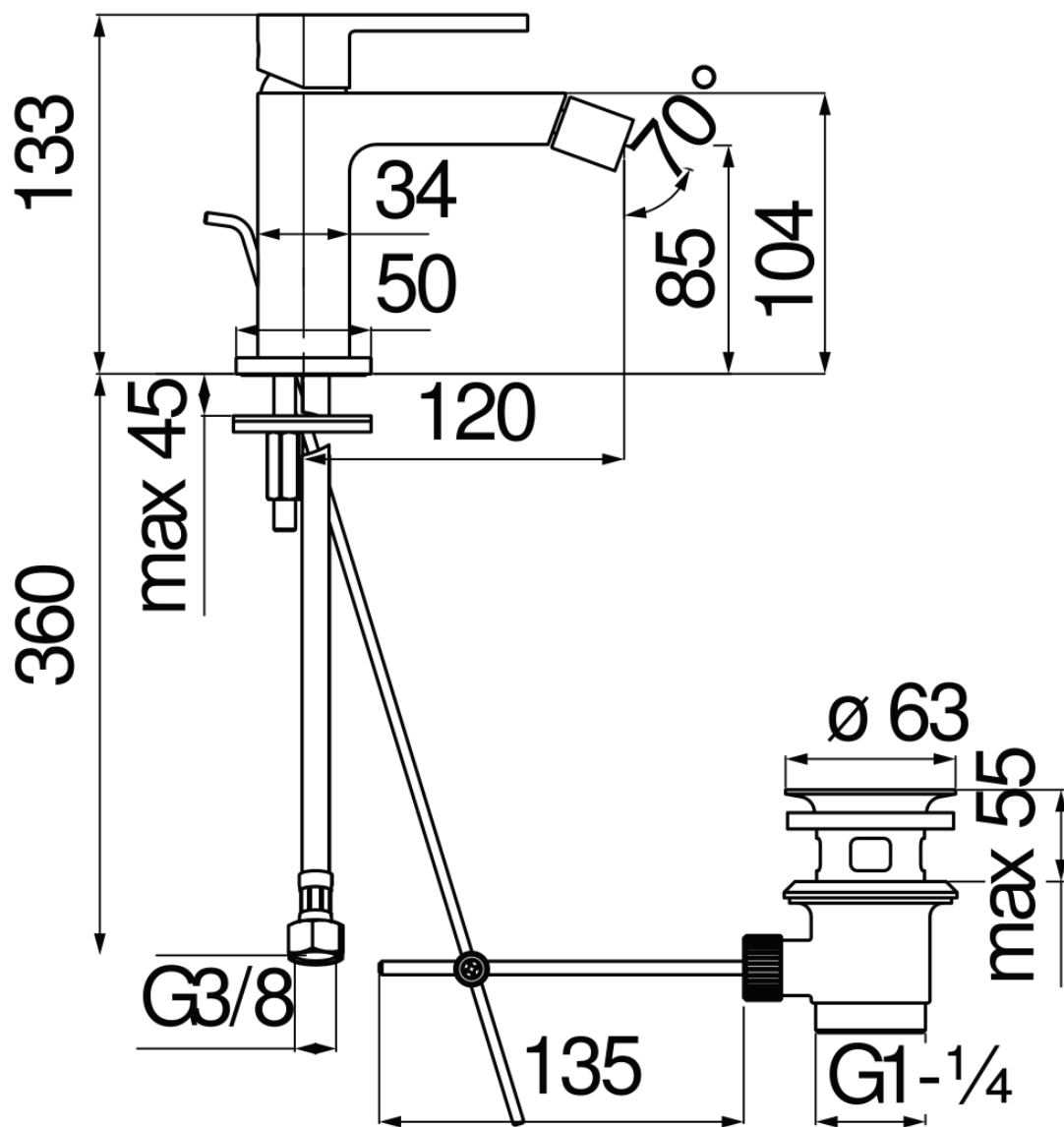


SPECIFICATIONS

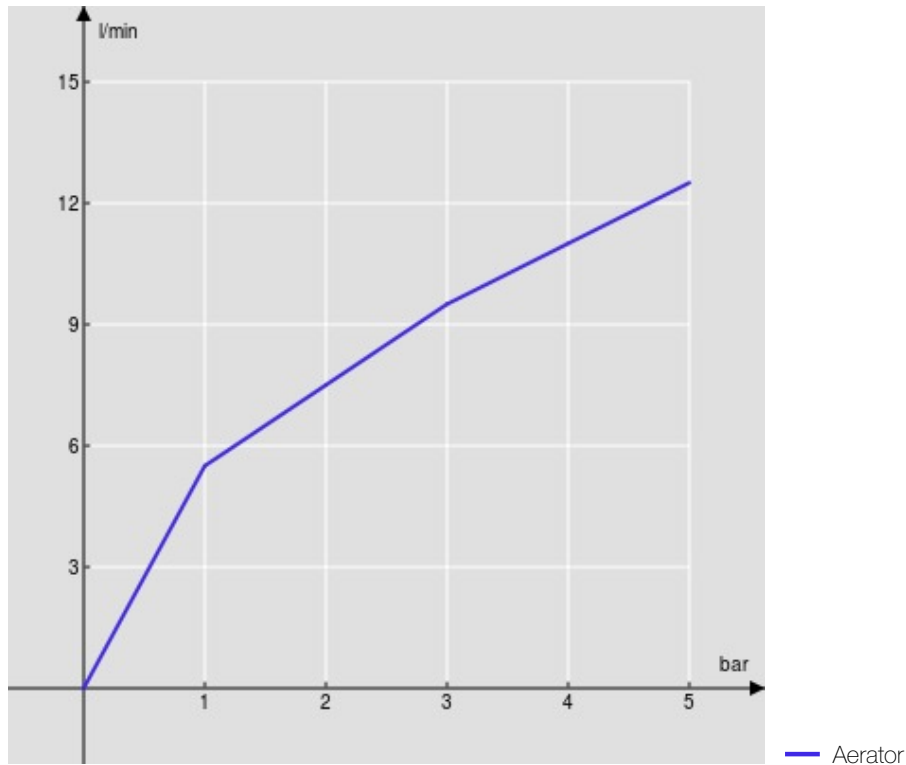
Single control
Chrome
Anti limescale aerator M 16,5 x 1
Swivel jet
1 1/4" waste with patented SNAP system
ø 3/8" stainless steel flexible pipe
50% two step cartridge for water saving
Packaging: 41 x 21 x 7 cm / 0,00603 m³ / 1,72 kg

CERTIFICATIONS





FLOW RATE DIAGRAM: HOT/COLD WATER



FLOW RATE DIAGRAM: MIXED WATER

