



SPECIFICATIONS

External thermostatic control with shower set

Moon drop PVD

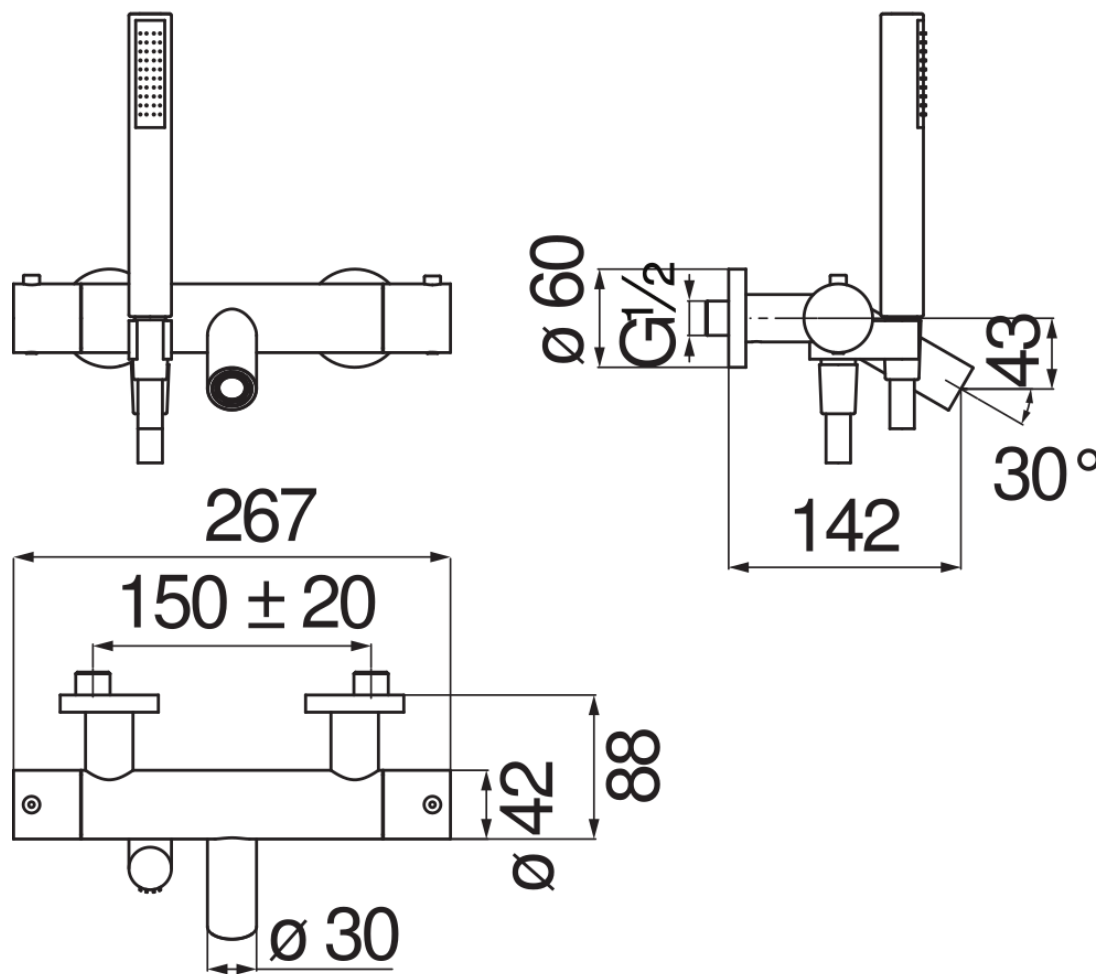
38° C safety cut-out

Non-return valves

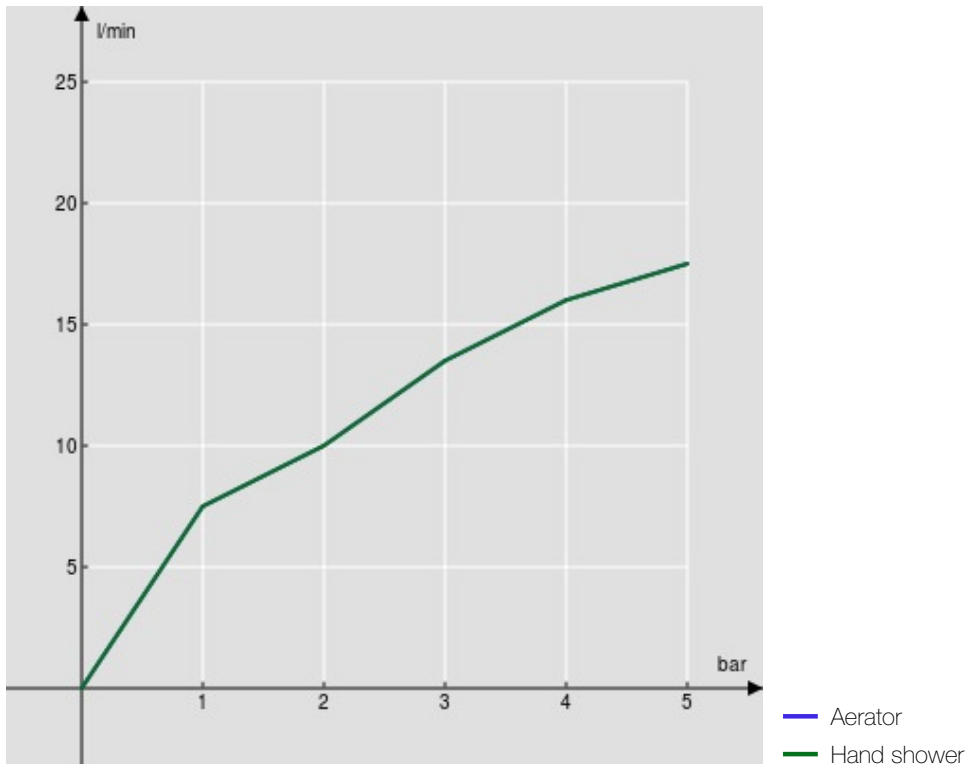
Anti limescale aerator M 24 x 1

Single jet hand shower and 150 cm hose

Packaging: 41 x 21 x 7 cm / 0,006027 m³ / 3,66 kg



FLOW RATE DIAGRAM: HOT/COLD WATER



FLOW RATE DIAGRAM: MIXED WATER

