

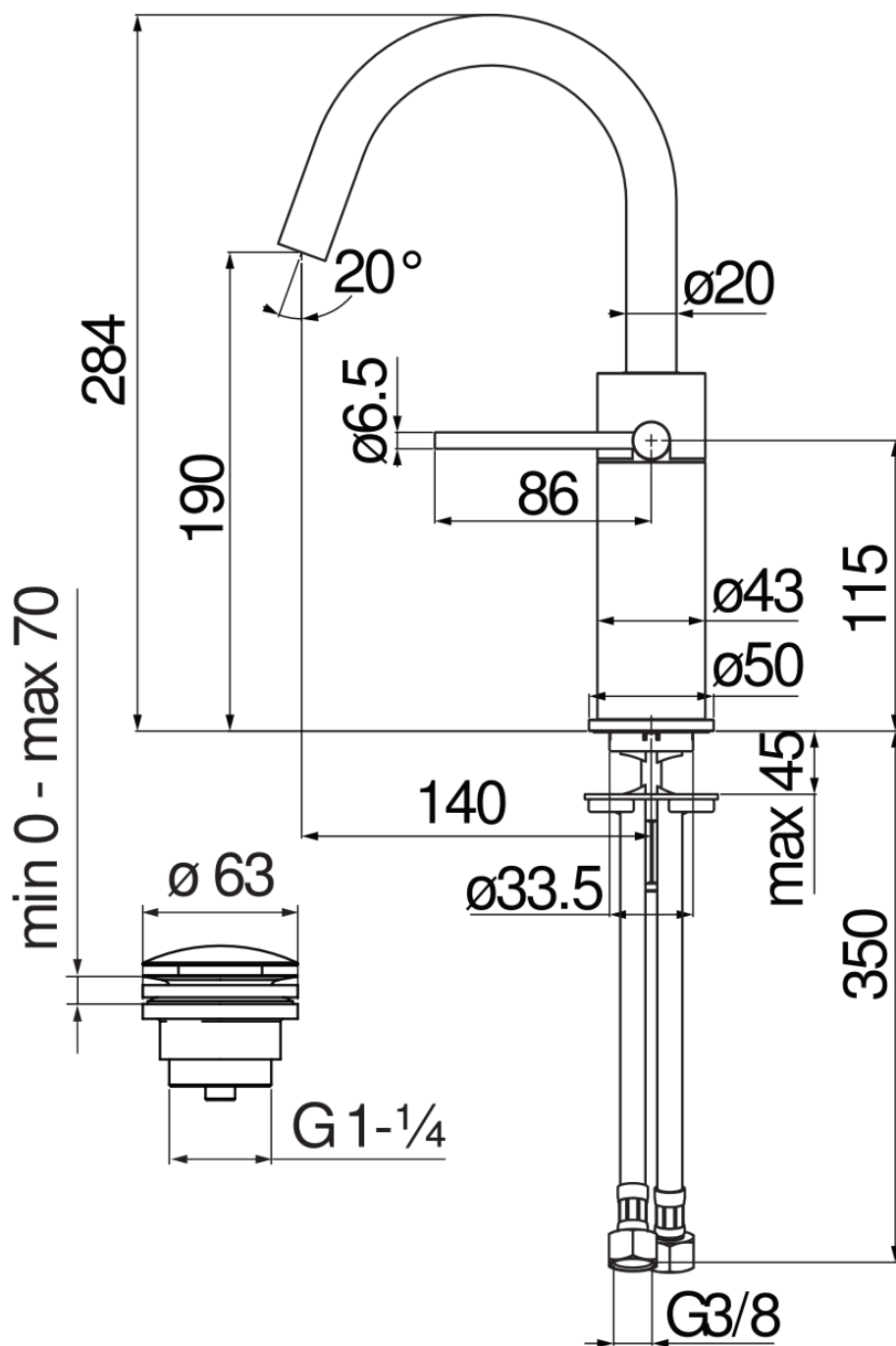


#### SPECIFICATIONS

Single control  
Chrome  
Anti limescale aerator M 18 x 1, flow rate 5 l/min  
Swivel spout  
1 1/4" push waste, ø 3/8" stainless steel flexible pipe  
Energy saving system with cold water side opening  
Packaging: 41 x 21 x 7 cm / 0,006027 m<sup>3</sup>

#### CERTIFICATIONS





FLOW RATE DIAGRAM: HOT/COLD WATER



FLOW RATE DIAGRAM: MIXED WATER

