



SPECIFICATIONS

Basin single control

Chrome

Anti limescale aerator M 18 x 1, flow rate 5 l/min

Swivel spout

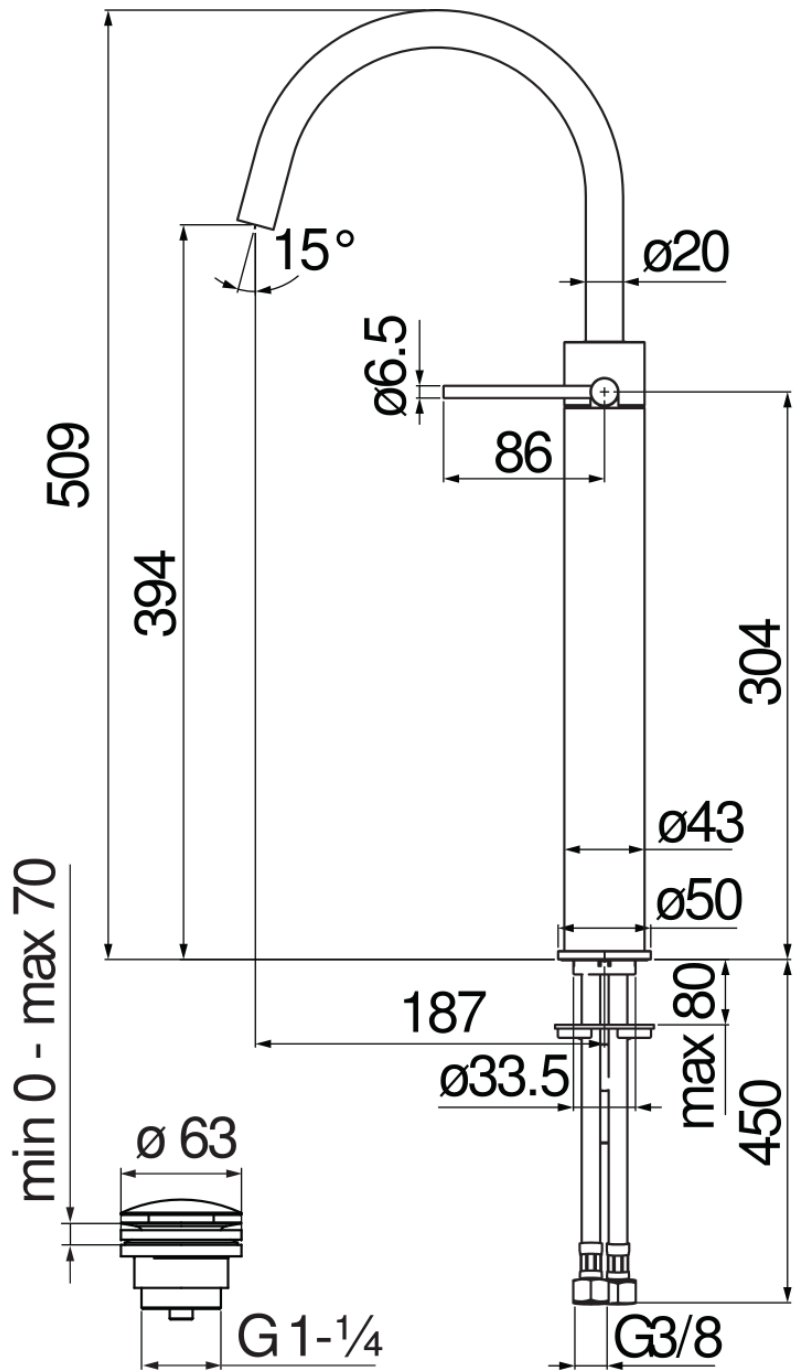
1 1/4" push waste, ø 3/8" stainless steel flexible pipe

Energy saving system with cold water side opening

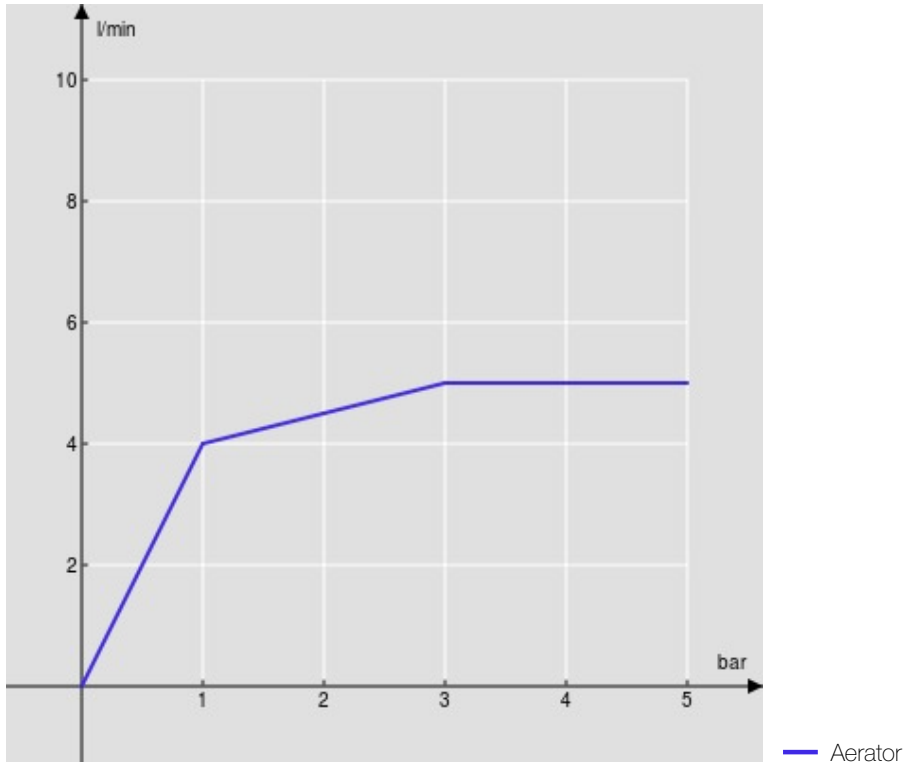
Packaging: 66 x 34,5 x 7 cm / 0,01594 m³

CERTIFICATIONS





FLOW RATE DIAGRAM: HOT/COLD WATER



FLOW RATE DIAGRAM: MIXED WATER

