



SPECIFICATIONS

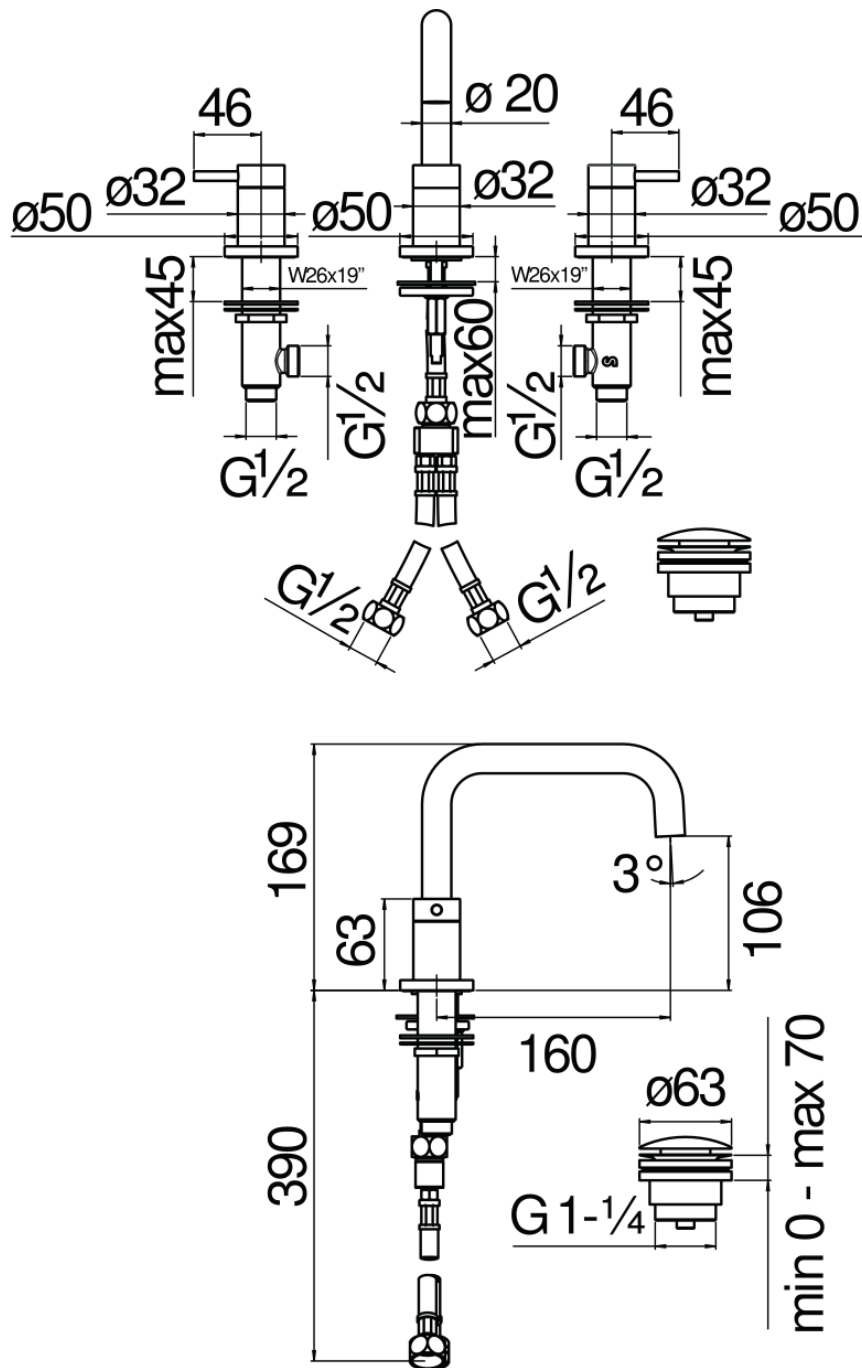
3-hole set

Inox

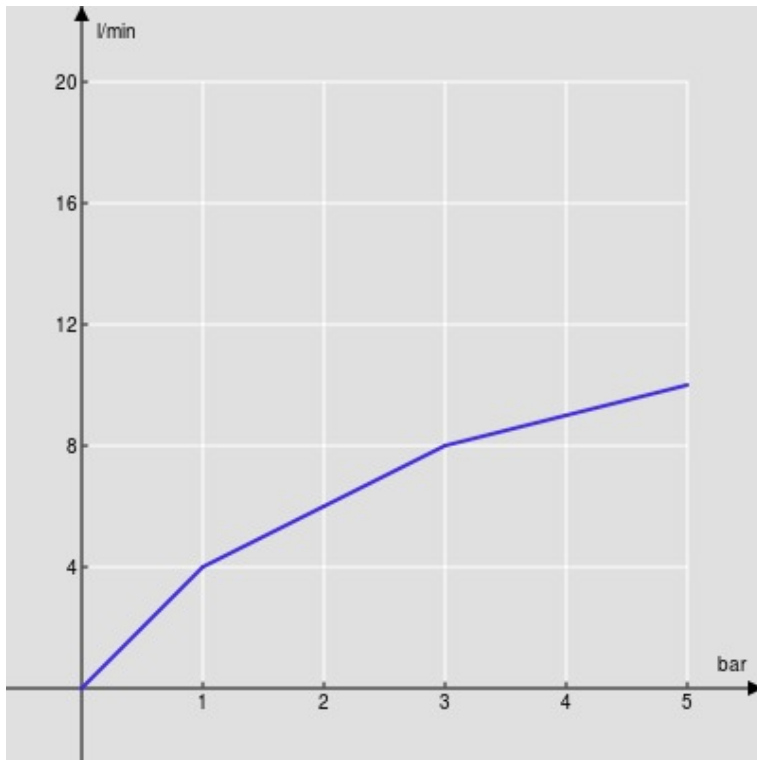
Anti limescale aerator M 18 x 1, flow rate 5 l/min

1 1/4" push waste

Packaging: 56,5 x 29 x 7,1 cm / 0,011633 m³ / 3,304 kg

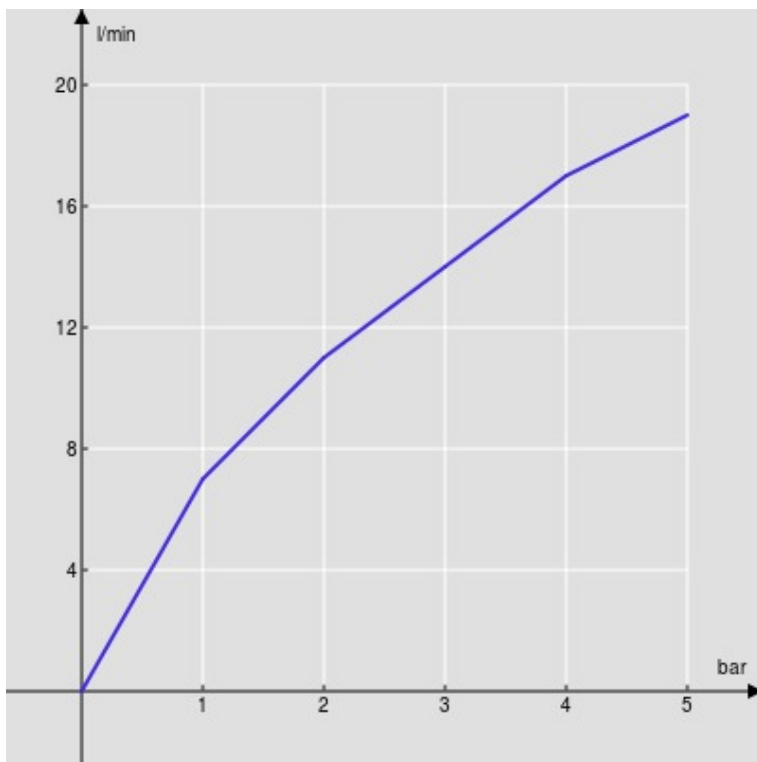


FLOW RATE DIAGRAM: HOT/COLD WATER



— Aerator

FLOW RATE DIAGRAM: MIXED WATER



— Aerator