



SPECIFICATIONS

2-way single control external part

Velvet black

Anti limescale aerator M 28 x 1

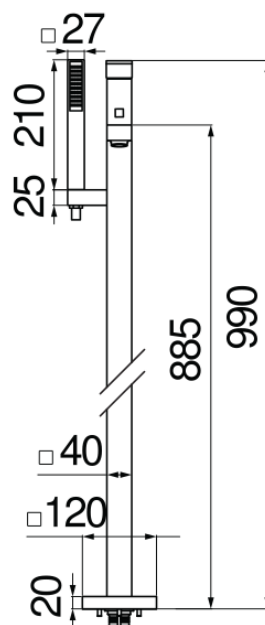
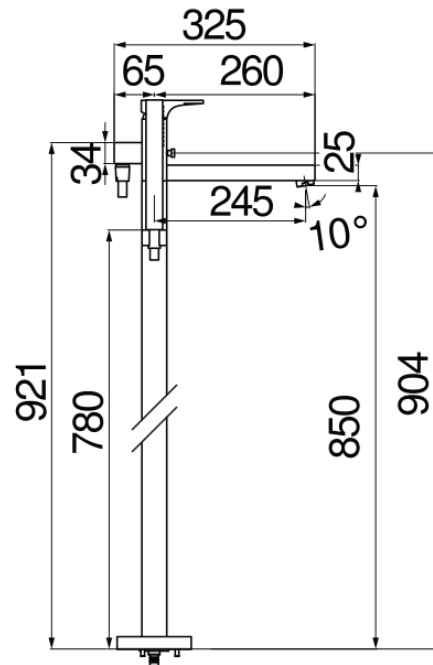
Auto return deviator

Fixed hand shower support

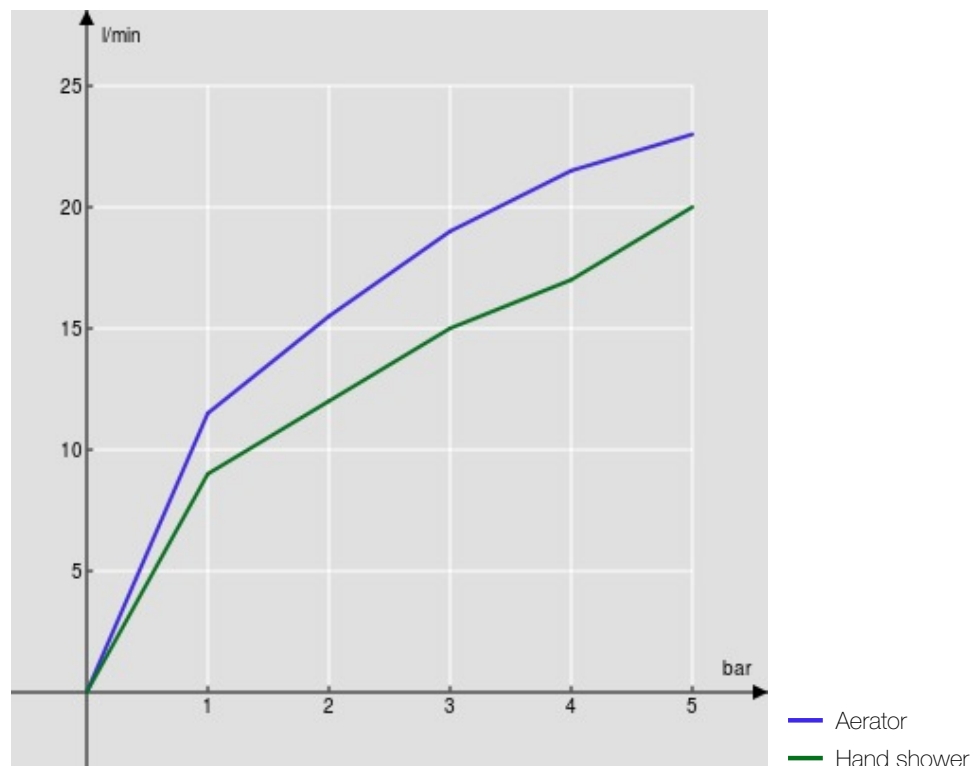
Single jet hand shower and 150 cm hose

50% two step cartridge for water saving

Packaging: 110,5 x 44 x 17,5 cm / 0,08509 m³ / 14 kg



FLOW RATE DIAGRAM: HOT/COLD WATER



FLOW RATE DIAGRAM: MIXED WATER

