



IMAGE NOT
AVAILABLE

SPECIFICATIONS

Single control

Velvet black

Anti limescale aerator M 22 x 1

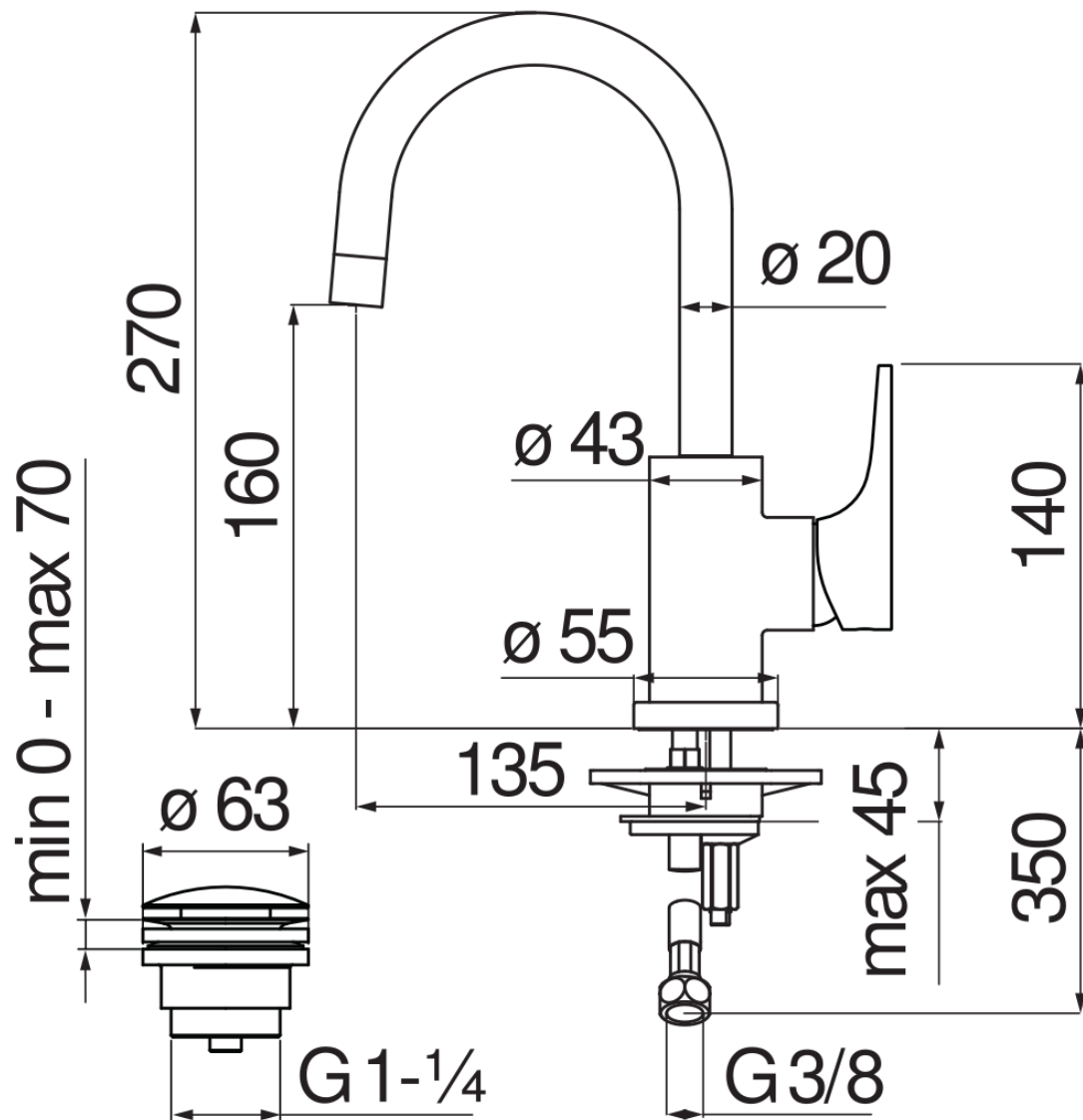
360° swivel spout

1 1/4" push waste

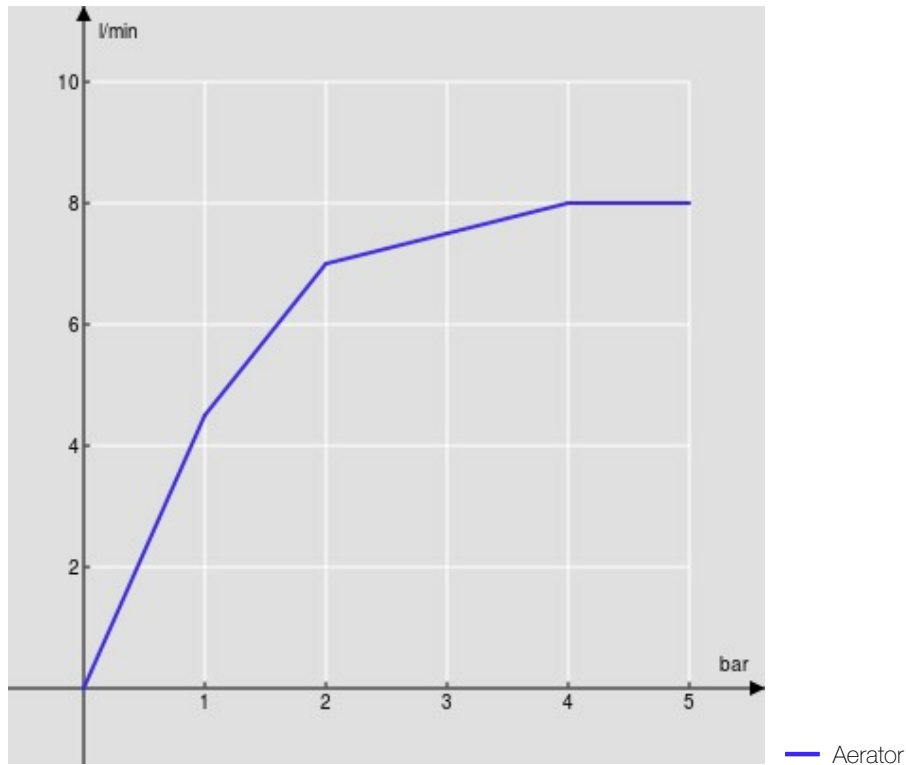
ø 3/8" stainless steel flexible pipe

50% two step cartridge for water saving

Packaging: 56,5 x 29 x 7,1 cm / 0,01163 m³ / 2,63 kg



FLOW RATE DIAGRAM: HOT/COLD WATER



FLOW RATE DIAGRAM: MIXED WATER

